



US009816675B2

(12) **United States Patent**
Jaster

(10) **Patent No.:** **US 9,816,675 B2**
(45) **Date of Patent:** **Nov. 14, 2017**

(54) **DAYLIGHT COLLECTORS WITH DIFFUSE AND DIRECT LIGHT COLLECTION**

(71) Applicant: **Solatube International, Inc.**, Vista, CA (US)

(72) Inventor: **Paul August Jaster**, Carlsbad, CA (US)

(73) Assignee: **SOLATUBE INTERNATIONAL, INC.**, Vista, CA (US)

(*) Notice: Subject to any disclaimer, the term of this patent is extended or adjusted under 35 U.S.C. 154(b) by 0 days.

(21) Appl. No.: **15/272,319**

(22) Filed: **Sep. 21, 2016**

(65) **Prior Publication Data**

US 2017/0009947 A1 Jan. 12, 2017

Related U.S. Application Data

(63) Continuation-in-part of application No. 15/074,873, filed on Mar. 18, 2016.

(Continued)

(51) **Int. Cl.**

F21S 11/00 (2006.01)

G02B 19/00 (2006.01)

(Continued)

(52) **U.S. Cl.**

CPC **F21S 11/002** (2013.01); **E04D 13/031**

(2013.01); **E04D 13/032** (2013.01);

(Continued)

(58) **Field of Classification Search**

CPC E04D 13/03; F21S 11/002; F21S 11/00;

F21S 11/007; G02B 19/0028

(Continued)

(56) **References Cited**

U.S. PATENT DOCUMENTS

668,404 A 2/1901 Hanneborg

1,632,254 A 6/1927 Vinogradov

(Continued)

FOREIGN PATENT DOCUMENTS

BE 1014530 12/2003

CN 1073137 C 10/2001

(Continued)

OTHER PUBLICATIONS

“3M Daylighting Film DF2000MA”, Product Bulletin DF2000MA, Release A, Jun. 2006, 3M Graphics Market Center, St. Paul, MN.

(Continued)

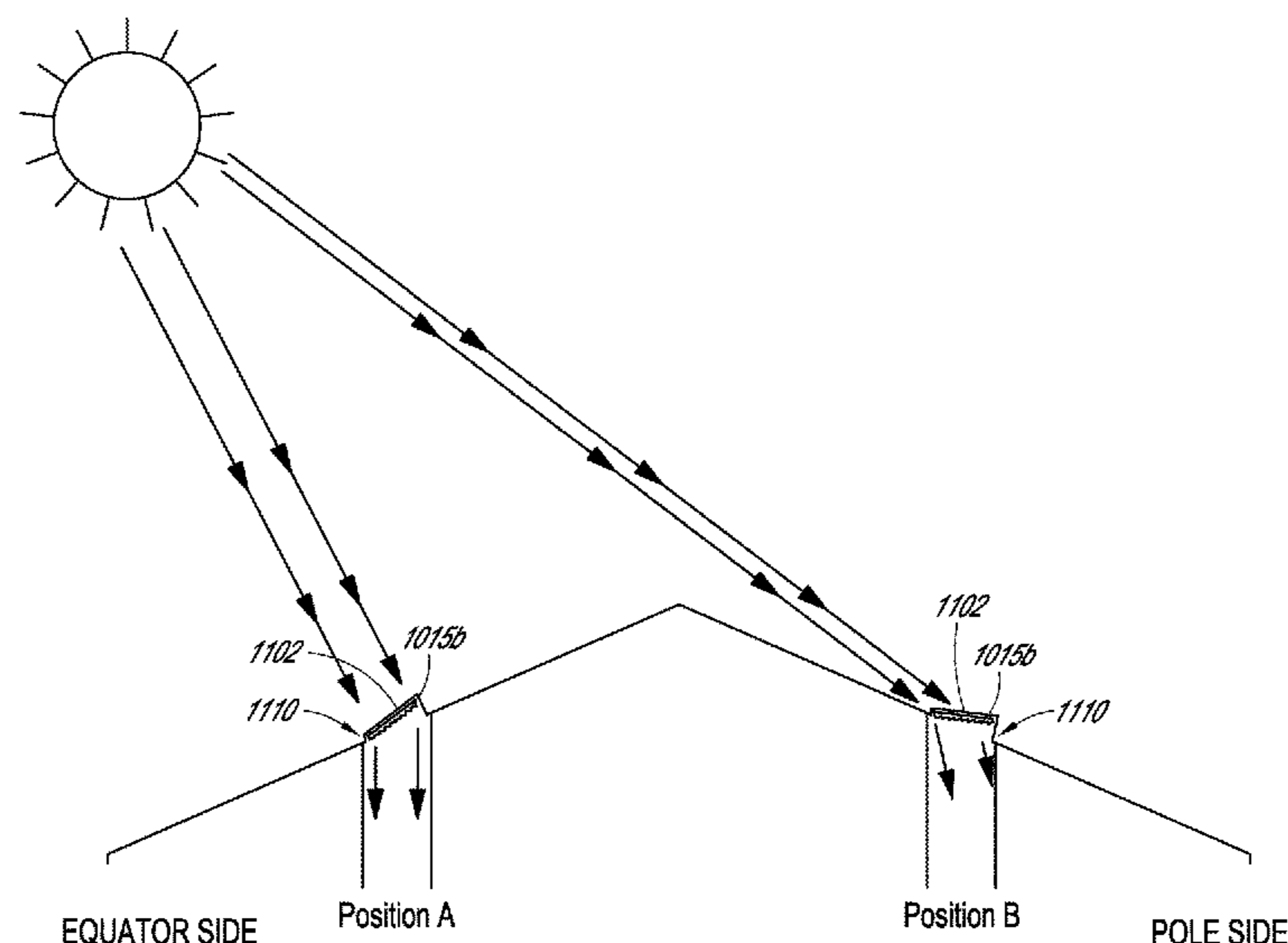
Primary Examiner — Christopher Mahoney

(74) *Attorney, Agent, or Firm* — Knobbe, Martens, Olson & Bear, LLP

(57) **ABSTRACT**

Lighting devices and methods for providing daylight to the interior of a structure are disclosed. Some embodiments disclosed herein provide a daylighting device including a tube having a sidewall with a reflective interior surface, a light collecting structure, and a light reflector positioned to reflect daylight into the light collector. In some embodiments, the light collector is associated with one or more light-turning and/or light reflecting structures configured to increase the amount of light captured by the daylighting device. Optical elements may allow for the absorption and/or selective transmission of infrared light away from an interior of the daylighting device.

22 Claims, 31 Drawing Sheets



Related U.S. Application Data					
		5,896,713	A	4/1999	Chao et al.
		5,983,581	A	11/1999	DeBlock et al.
		5,999,323	A	12/1999	Wood
(60)	Provisional application No. 62/135,017, filed on Mar. 18, 2015.	6,000,170	A	12/1999	Davis
		RE36,496	E	1/2000	Sutton
		6,090,464	A	7/2000	Yoo
(51)	Int. Cl.	6,142,645	A	11/2000	Han
	<i>E04D 13/03</i> (2006.01)	6,178,707	B1	1/2001	Bengtson
	<i>G02B 5/04</i> (2006.01)	6,210,644	B1	4/2001	Trokhon et al.
	<i>G02B 5/02</i> (2006.01)	6,219,977	B1	4/2001	Chao et al.
(52)	U.S. Cl.	6,239,910	B1	5/2001	Digert
	CPC <i>E04D 13/033</i> (2013.01); <i>E04D 13/0305</i> (2013.01); <i>F21S 11/007</i> (2013.01); <i>G02B 5/0278</i> (2013.01); <i>G02B 19/0028</i> (2013.01); <i>G02B 19/0042</i> (2013.01); <i>E04D 2013/0345</i> (2013.01); <i>G02B 5/02</i> (2013.01); <i>G02B 5/045</i> (2013.01)	6,256,947	B1	7/2001	Grubb
		6,363,667	B2	4/2002	O'Neill
		6,438,910	B1	8/2002	Erskine
		6,493,145	B1	12/2002	Aoki et al.
		6,502,950	B2	1/2003	Signer
		RE38,217	E	8/2003	DeBlock et al.
		6,604,329	B2	8/2003	Hoy et al.
		6,623,137	B1	9/2003	Marsonette
		6,667,089	B1	12/2003	Barker
(58)	Field of Classification Search	6,691,701	B1	2/2004	Roth
	USPC 359/597, 591-592, 595	6,827,445	B2	12/2004	Abe
	See application file for complete search history.	6,840,645	B2	1/2005	Eisenman et al.
		7,082,726	B2	8/2006	Muhlestein et al.
(56)	References Cited	7,134,254	B1	11/2006	Van Gelder
	U.S. PATENT DOCUMENTS	7,146,768	B2	12/2006	Rillie
		7,185,464	B2	3/2007	Bracale
		7,222,461	B2	5/2007	Piano et al.
		7,281,353	B2	10/2007	Konstantin
		7,322,156	B1	1/2008	Rillie et al.
		7,350,327	B1	4/2008	Logan et al.
		7,395,636	B2	7/2008	Blomberg
		7,438,440	B2	10/2008	Dorogi
		7,546,709	B2	6/2009	Jaster et al.
		7,576,647	B1	8/2009	Mudge
		7,586,408	B1	9/2009	Mudge
		7,621,081	B2	11/2009	Rillie
		7,639,423	B2	12/2009	Kinney et al.
		7,642,501	B1	1/2010	Fassbender et al.
		7,757,444	B1	7/2010	Halliday
		7,806,550	B2	10/2010	Tyson et al.
		7,813,041	B2	10/2010	Briee et al.
		7,883,239	B2	2/2011	Rains, Jr. et al.
		7,886,492	B2	2/2011	Kelly et al.
		7,950,817	B2	5/2011	Zulim et al.
		7,954,281	B2	6/2011	Jaster
		7,957,065	B2	6/2011	Jaster
		7,982,956	B2	7/2011	Kinney et al.
		8,016,455	B2	9/2011	Paulussen
		8,018,653	B2	9/2011	Jaster
		8,073,303	B2	12/2011	Whang et al.
		8,082,705	B2	12/2011	Jaster et al.
		8,132,375	B2	3/2012	Jaster
		8,205,385	B2	6/2012	Konstantin
		8,205,386	B2	6/2012	Konstantin
		8,245,444	B2	8/2012	Konstantin et al.
		8,284,536	B2	10/2012	Minarczyk et al.
		8,296,488	B2	10/2012	Westrick, Jr. et al.
		8,371,078	B2	2/2013	Jaster
		8,376,600	B2	2/2013	Bartol et al.
		8,491,138	B2	7/2013	O
		8,555,571	B2	10/2013	Darmer et al.
		8,837,048	B2	9/2014	Jaster
		8,891,621	B2	11/2014	Igarashi
		8,955,269	B2	2/2015	Rillie
		8,958,157	B2	2/2015	Rillie et al.
		8,982,467	B2	3/2015	Jaster
		9,127,823	B2	9/2015	Jaster
		9,291,321	B2	3/2016	Jaster
		9,322,178	B2*	4/2016	Kastner E04B 7/18
		2001/0047630	A1	12/2001	Richardson
		2002/0126362	A1	9/2002	Shimomura
		2003/0000158	A1	1/2003	Borges
		2003/0079422	A1	5/2003	Bracale
		2004/0050380	A1	3/2004	Abe
		2005/0035713	A1	2/2005	Yoo
		2005/0039789	A1	2/2005	Kim
		2005/0048231	A1	3/2005	Morphet
		2005/0078483	A1	4/2005	Bernard et al.

(56)

References Cited

U.S. PATENT DOCUMENTS

2005/0128728	A1	6/2005	Eisenman et al.
2005/0243430	A1	11/2005	Cuttle
2006/0061104	A1	3/2006	Jungers
2006/0133088	A1	6/2006	Caferro
2006/0262250	A1	11/2006	Hobbs
2006/0288645	A1	12/2006	Konstantino et al.
2007/0163732	A1	7/2007	Konstantin et al.
2007/0240705	A1	10/2007	Papadopoulos
2007/0266652	A1	11/2007	Jaster et al.
2007/0271848	A1	11/2007	Wolf et al.
2008/0035275	A1	2/2008	Konstantin
2008/0250733	A1	10/2008	Konstantin
2008/0304263	A1	12/2008	Paulussen
2008/0310147	A1	12/2008	Blomberg
2009/0032102	A1	2/2009	Chen et al.
2009/0141487	A1	6/2009	Gould et al.
2010/0061088	A1	3/2010	Bartol et al.
2010/0091396	A1	4/2010	Hutson et al.
2010/0127625	A1	5/2010	Minarczyk et al.
2010/0163157	A1	7/2010	Milburn
2010/0232158	A1	9/2010	McCanless
2010/0246193	A1	9/2010	Clifton et al.
2010/0271610	A1	10/2010	Soer et al.
2010/0274945	A1	10/2010	Westrick, Jr. et al.
2011/0032709	A1	2/2011	Tyson et al.
2011/0051413	A1	3/2011	Hand
2011/0067824	A1	3/2011	Konstantin et al.
2011/0103042	A1	5/2011	Tirrell et al.
2011/0110086	A1	5/2011	Barnwell et al.
2011/0289869	A1	12/2011	Jaster et al.
2012/0033302	A1	2/2012	Suzuki et al.
2012/0091897	A1	4/2012	O et al.
2012/0230020	A1	9/2012	Rillie et al.
2013/0170045	A1	7/2013	Hsu
2014/0026501	A1	1/2014	Schuetz et al.
2014/0160556	A1	6/2014	Jaster
2014/0160570	A1	6/2014	Jaster
2016/0138771	A1	5/2016	Jaster
2016/0273725	A1	9/2016	Jaster

FOREIGN PATENT DOCUMENTS

CN	1399095	A	2/2003
CN	201035179	Y	3/2008
CN	201090939	Y	7/2008
CN	101493205	A	7/2009
CN	102459778		5/2012
EP	0666551		8/1995
EP	1306606		5/2003
EP	1486722		12/2004
ES	2194616		11/2003
ES	2214950		9/2004

GB	933133		8/1963
GB	2384022		7/2003
GB	2400885		10/2007
GB	2464331	A	4/2010
JP	58-86254		5/1983
JP	S60-166907		8/1985
JP	60-142413		9/1985
JP	60-164704		11/1985
JP	60-166906		11/1985
JP	61-180217		8/1986
JP	62-168560		7/1987
JP	H06-111610		4/1994
JP	H07-192515		7/1995
JP	H08-7619		1/1996
JP	11-2779		1/1999
JP	11-160646		6/1999
JP	H11-160647		6/1999
JP	11-306819		11/1999
JP	2000-75238		3/2000
JP	2000-173324		6/2000
JP	2002-138634		5/2002
JP	2002-277803		9/2002
JP	2003-157707		5/2003
JP	2006-228663	A	8/2006
JP	2007-266652		10/2007
JP	2008-066133		3/2008
JP	2008-082080		4/2008
JP	2009-155427		7/2009
KR	10 0713802		5/2007
KR	10-2009-0113435		11/2009
KR	10-2011-0062239		6/2011
WO	WO 98/39572		9/1998
WO	WO 2009/110283		9/2009
WO	WO 2012/148419		11/2012
WO	WO 2013/093796		6/2013

OTHER PUBLICATIONS

“2301 Optical Lighting Film” Technical Specification, Effective Date: Feb. 1, 2000, 3M Specified Construction Products Department, <http://www.mmm.com/office>.

Dulley, James, “Today’s Technology and You; Skylight tube solves lighting problems”, Illinois Country Living, Apr. 2000.

“LED Light add on Kit for skylight tubes,” Wild Ideas Light Company Ltd., published at least as early as Apr. 2009.

Sunflower Corporation, “Sustainable Commercial Daylighting Technical Overview”, undated, received on Dec. 11, 2009.

Sunportal, The most innovative building integrated daylighting system, brochure received on Sep. 22, 2011.

Davis, et al., Optical Design Using Fresnel Lenses Basic Principles and some Practical Examples, Optik & Photonik, Dec. 2007, No. 4, pp. 52-55.

* cited by examiner

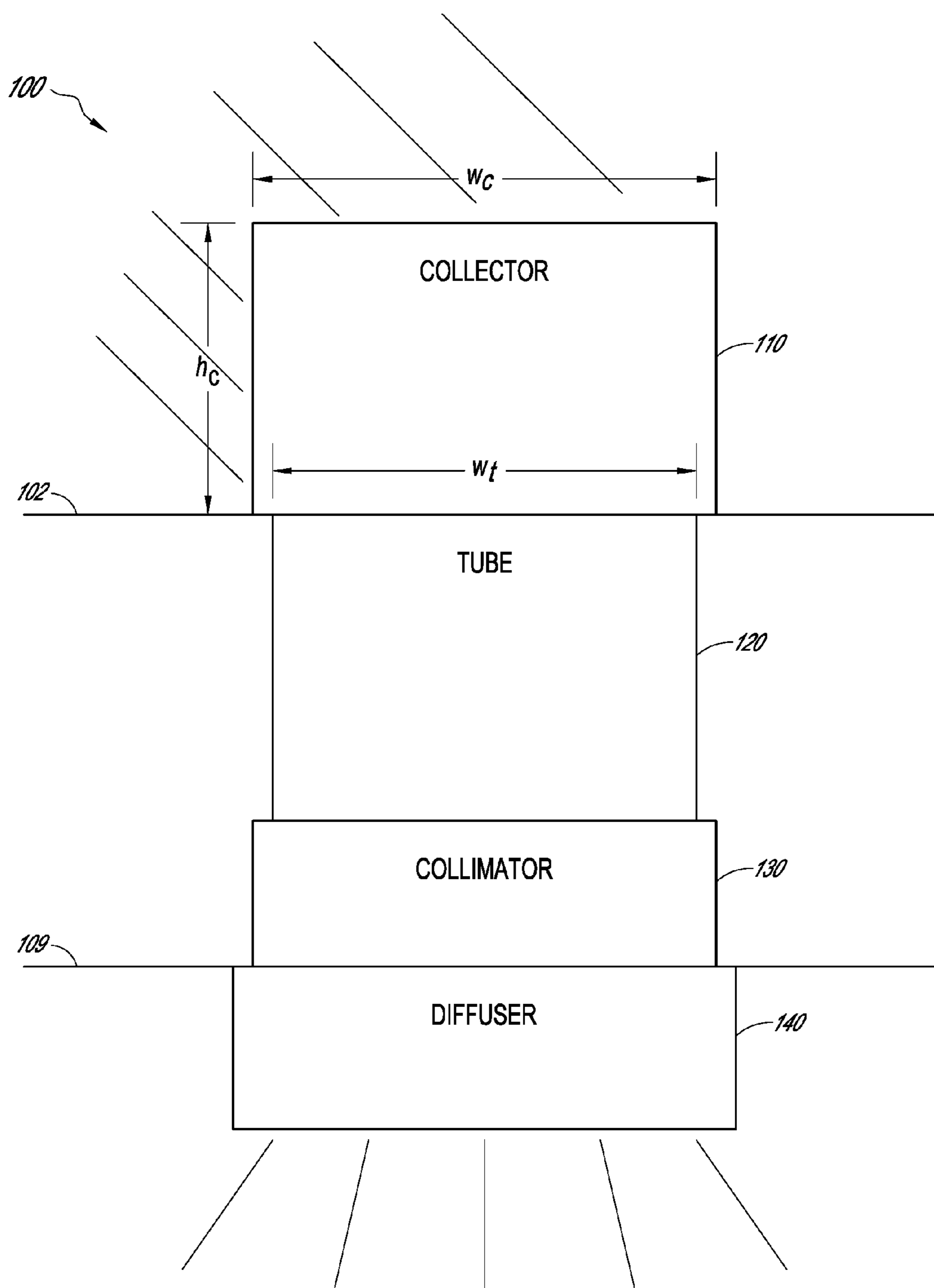


FIG. 1

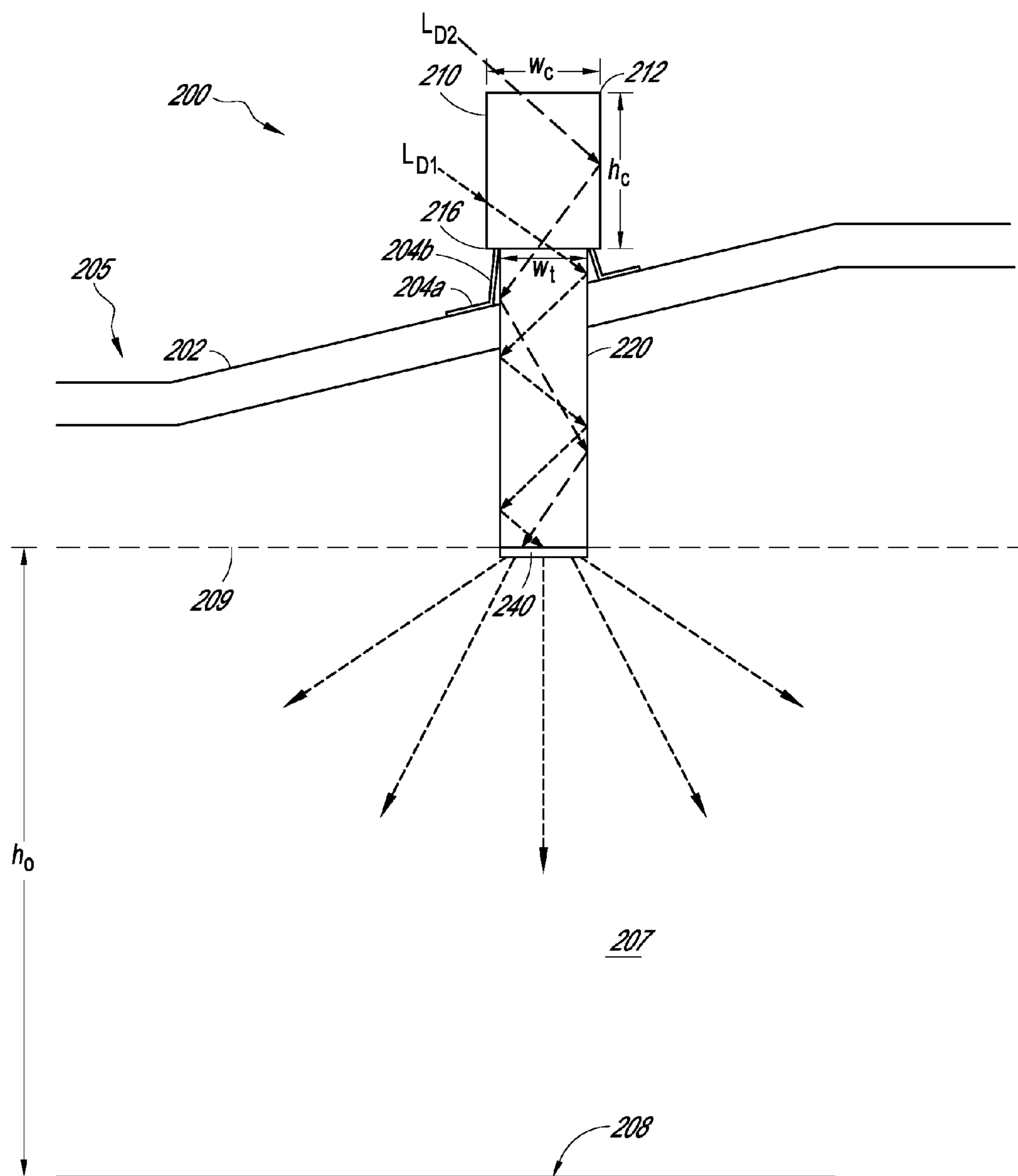


FIG. 2

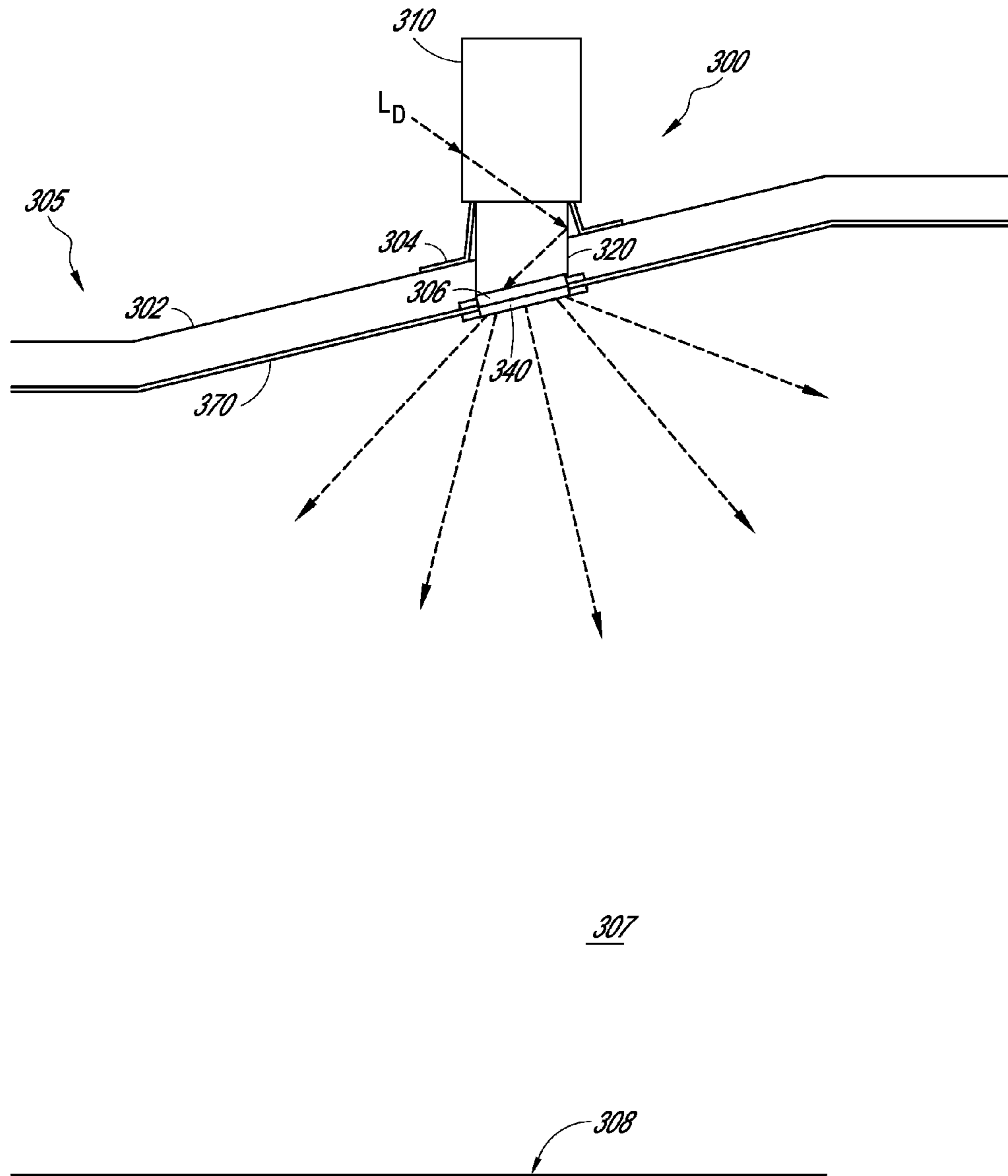


FIG. 3

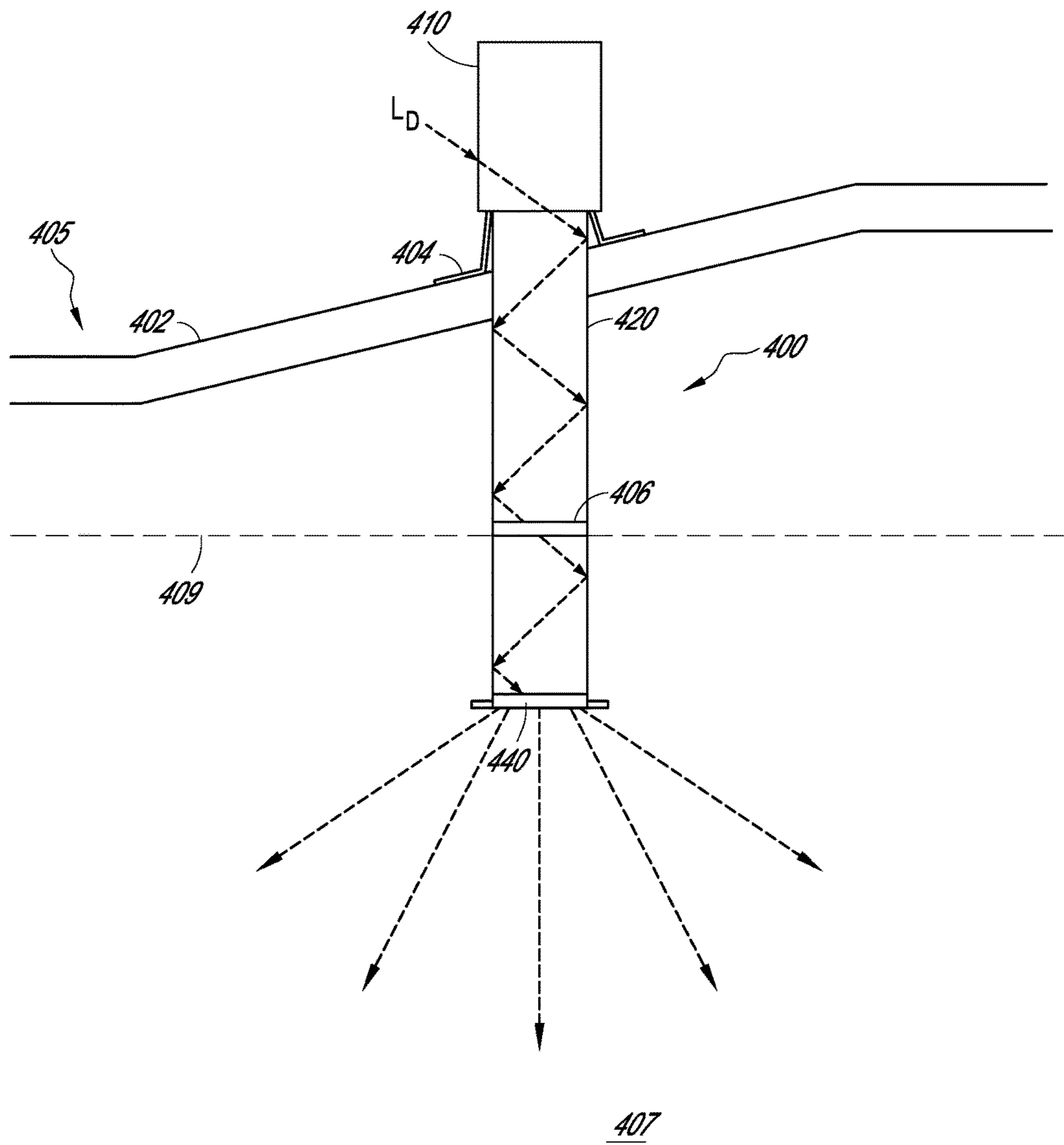


FIG. 4

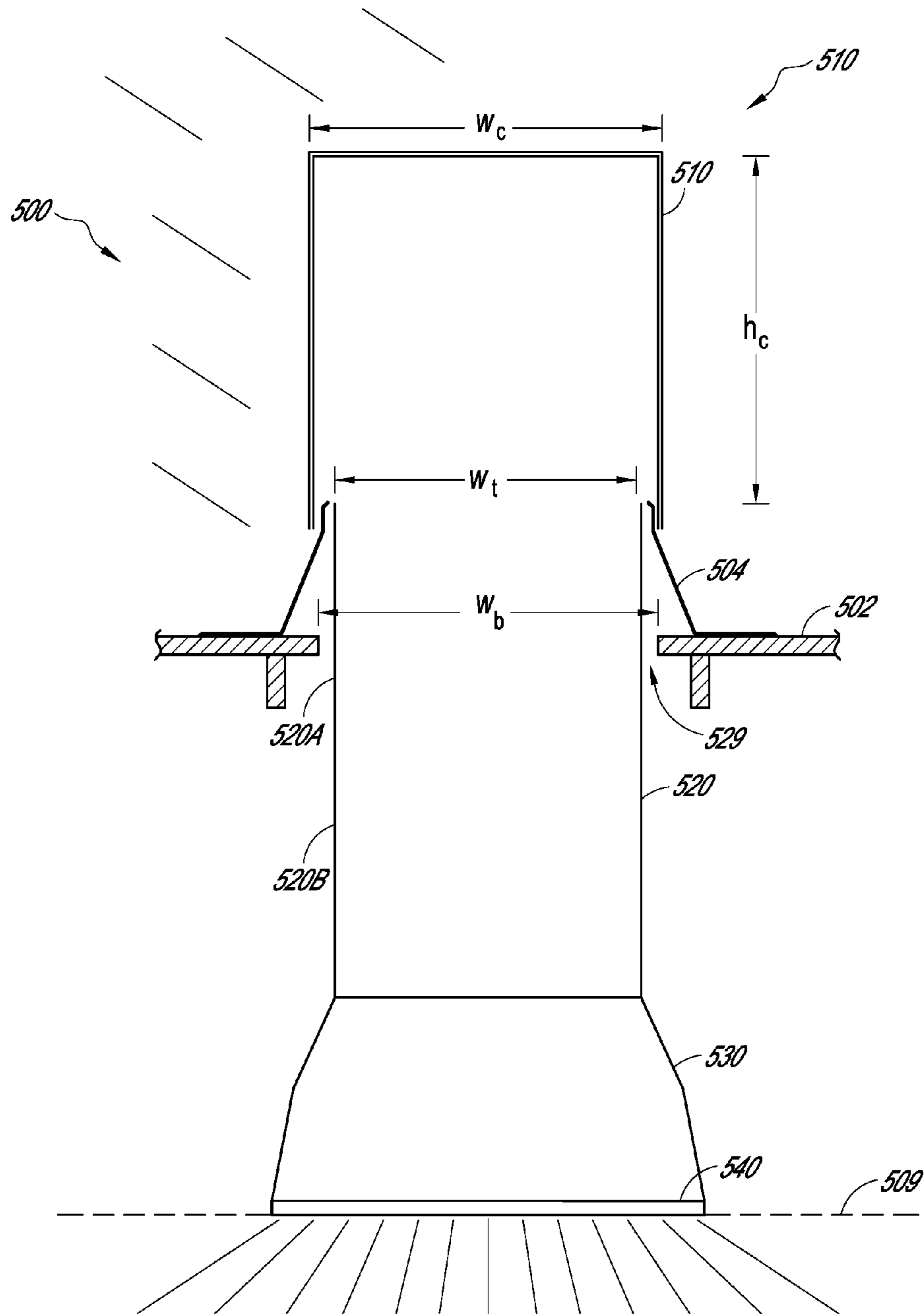


FIG. 5

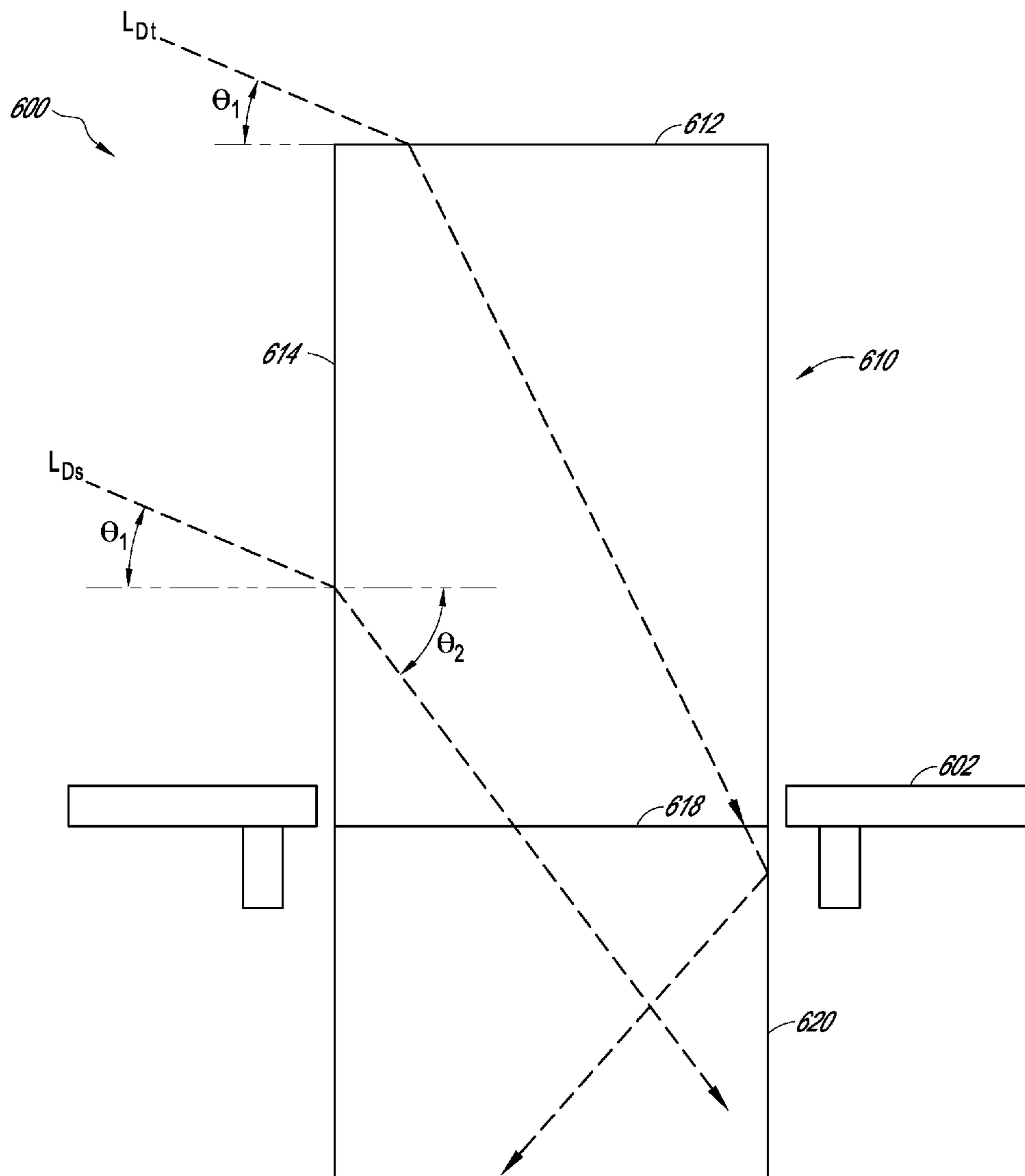


FIG. 6

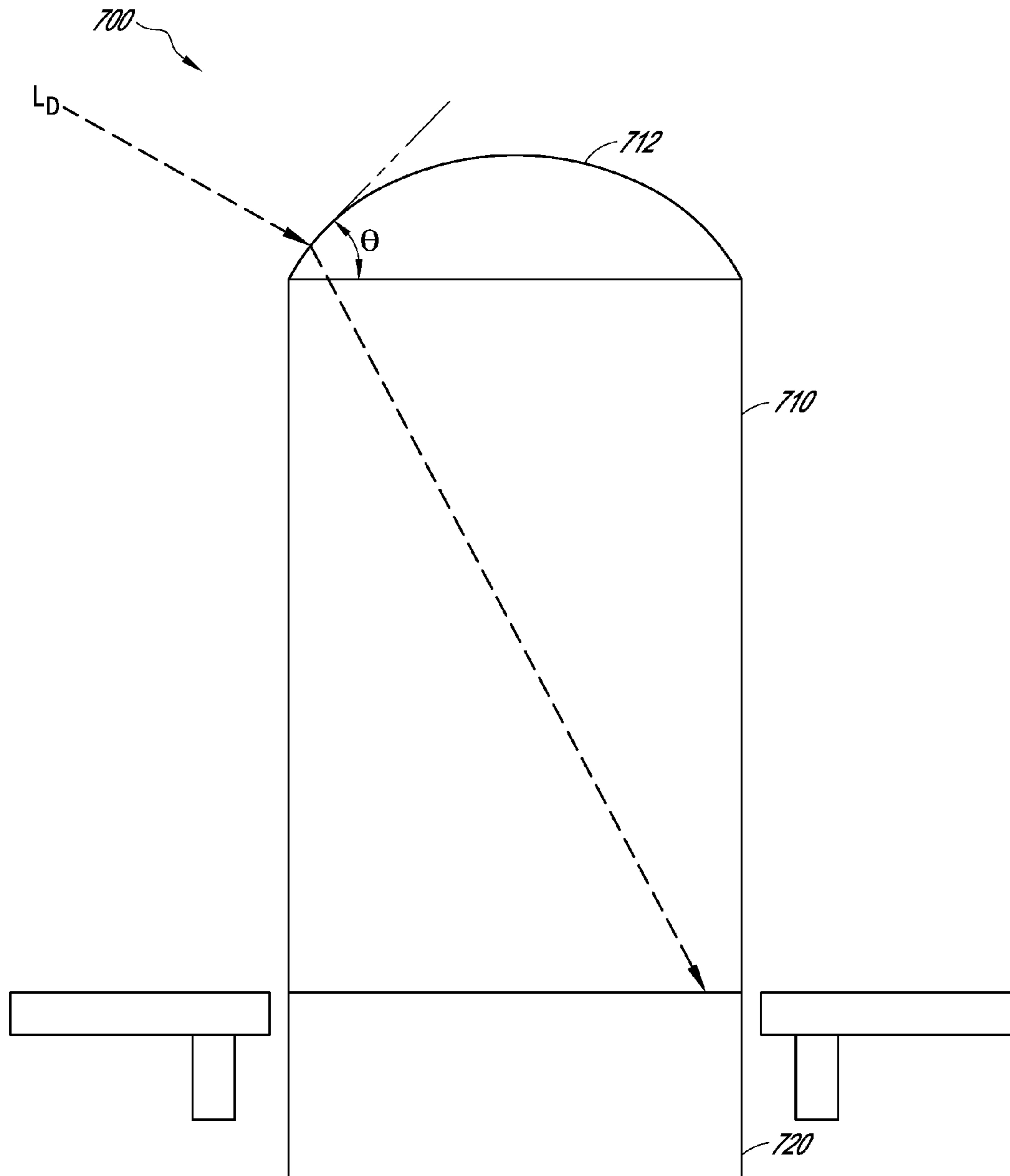


FIG. 7

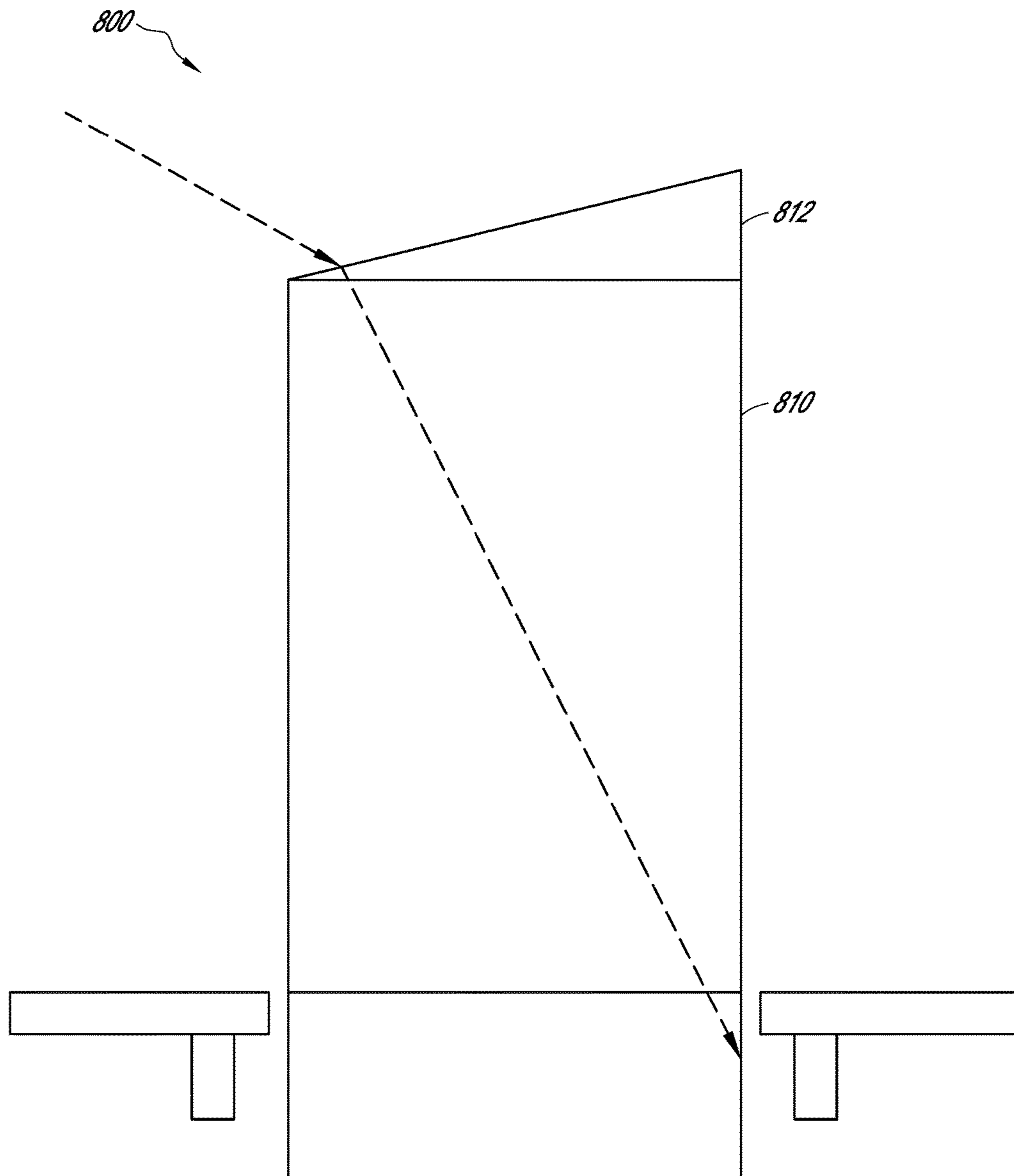


FIG. 8

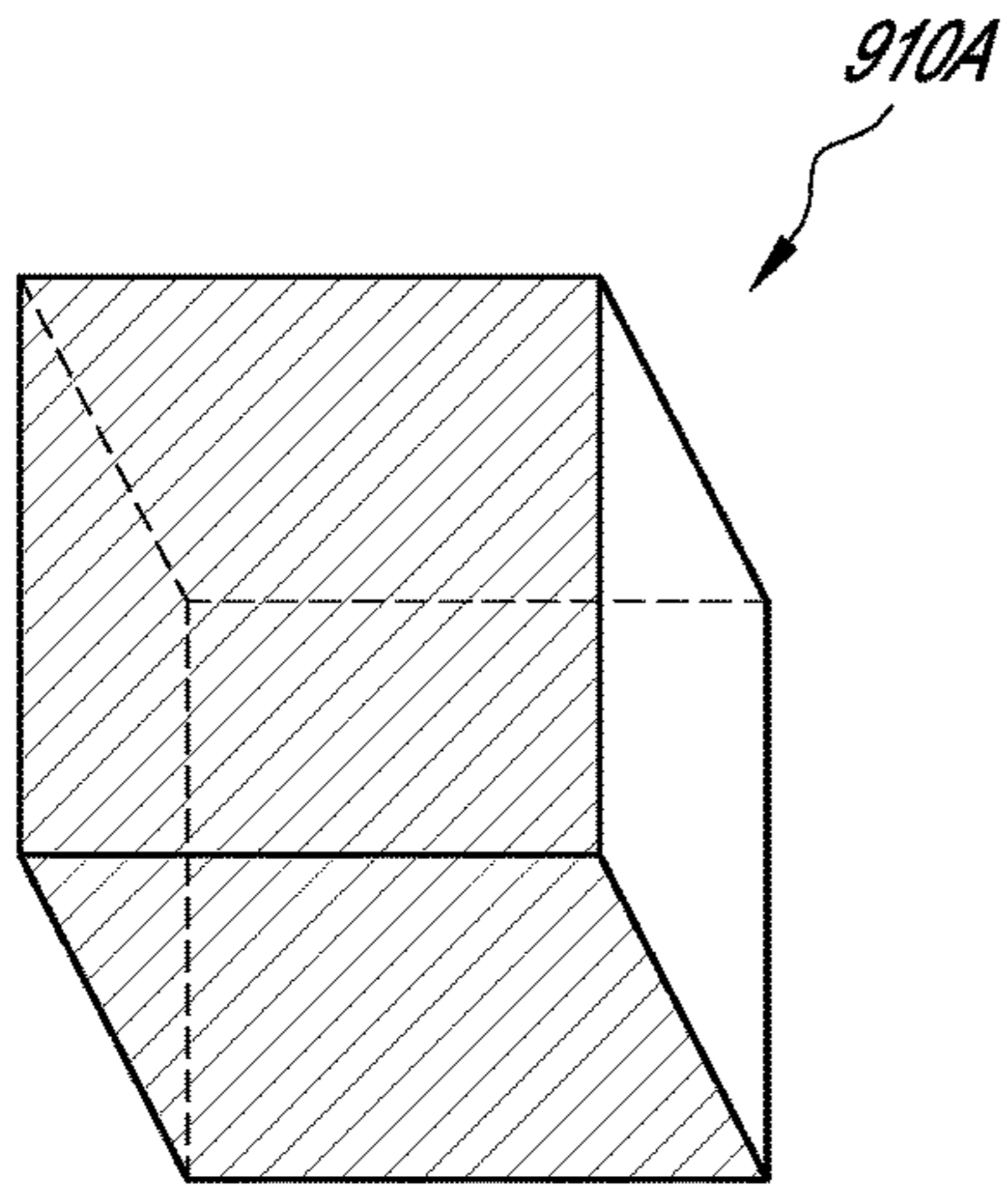


FIG. 9A

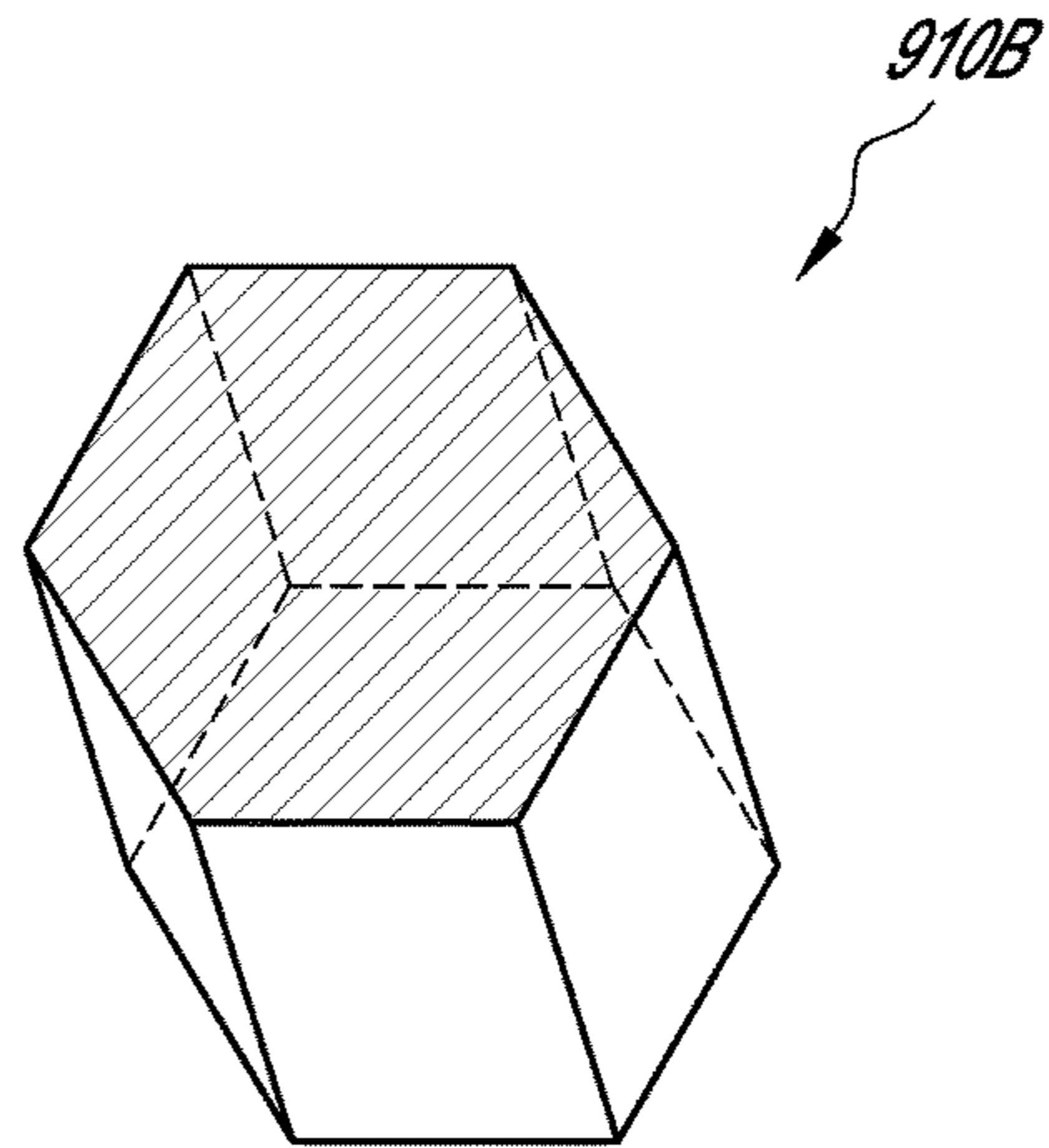


FIG. 9B

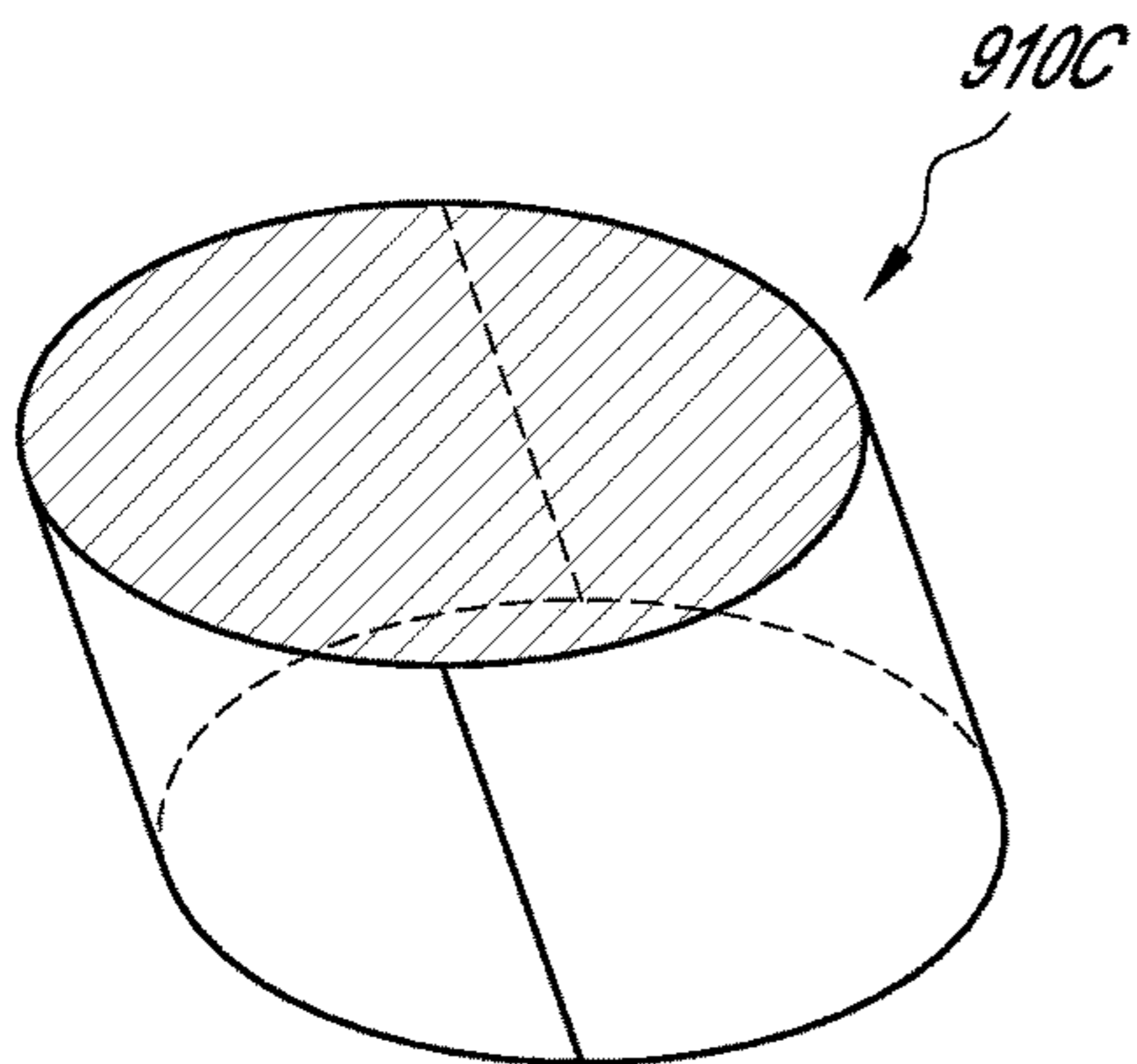


FIG. 9C

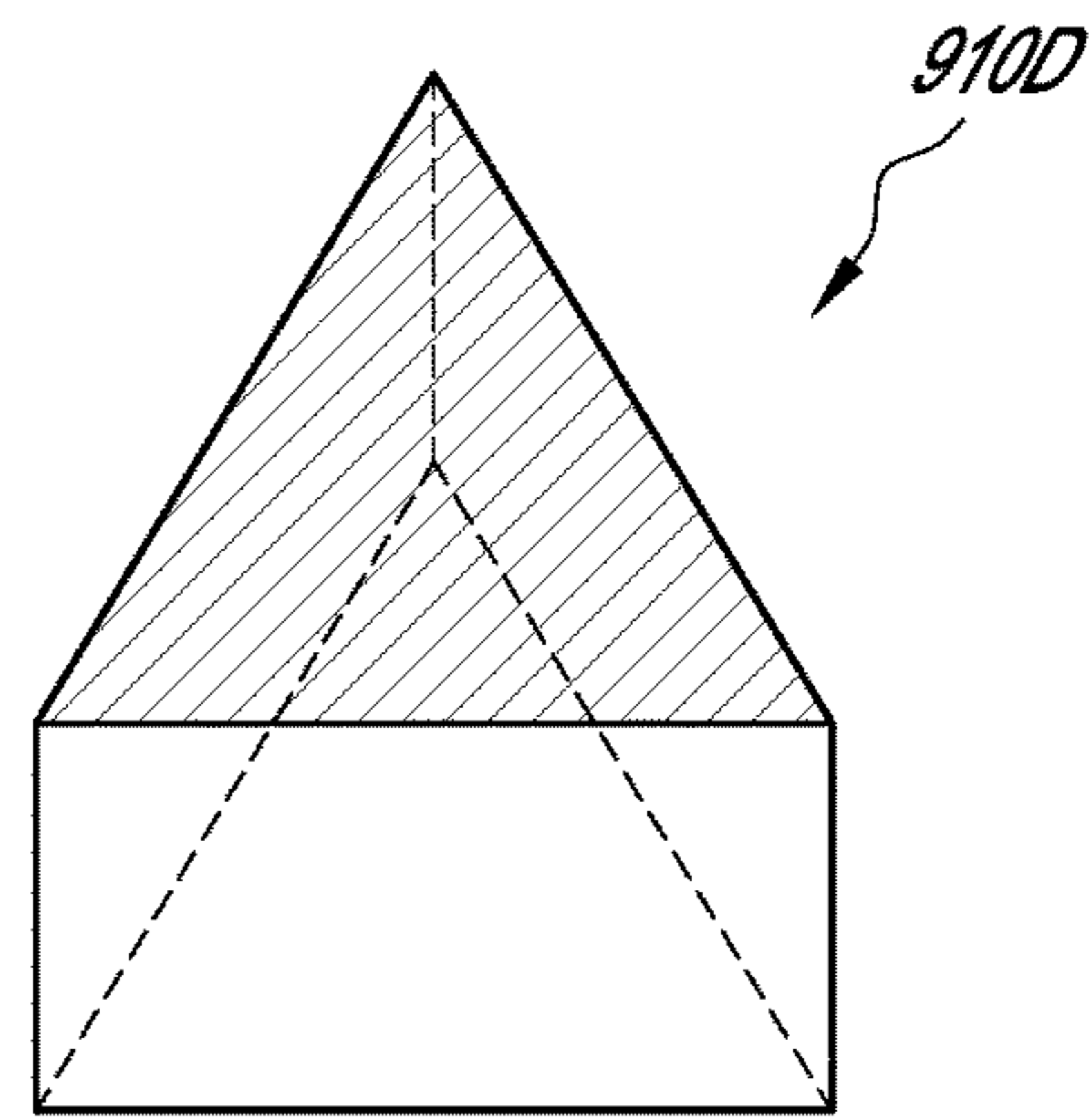


FIG. 9D

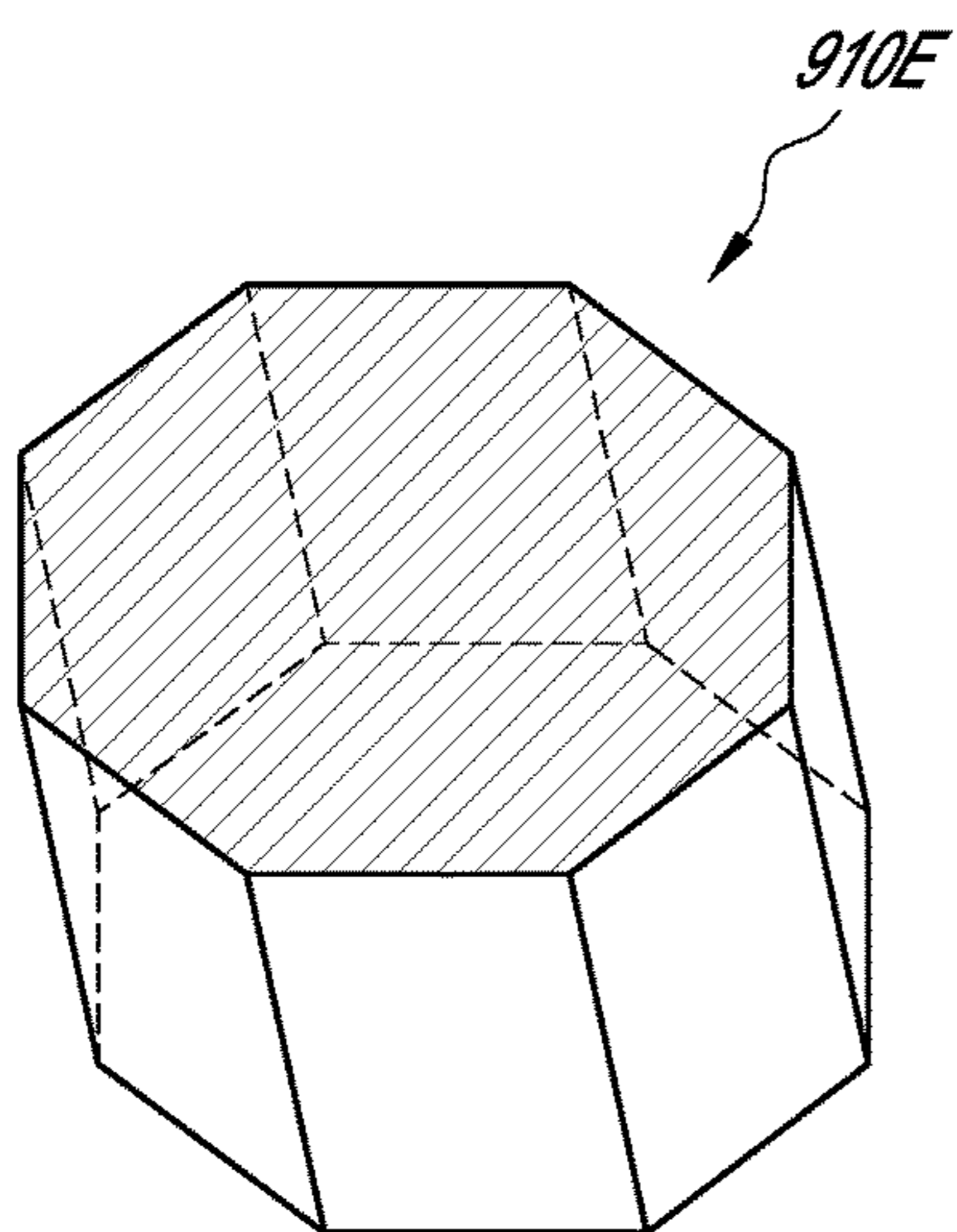


FIG. 9E

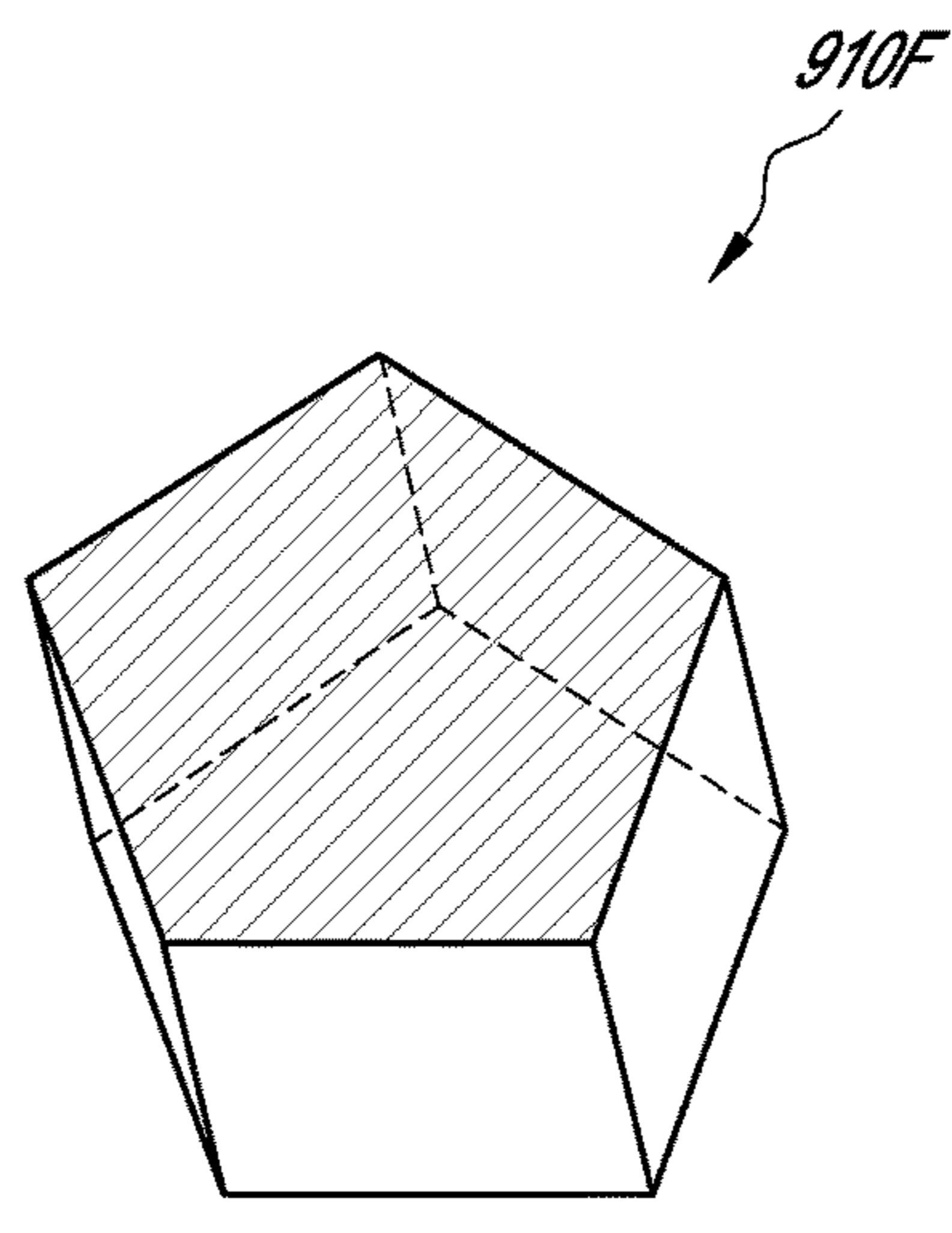


FIG. 9F

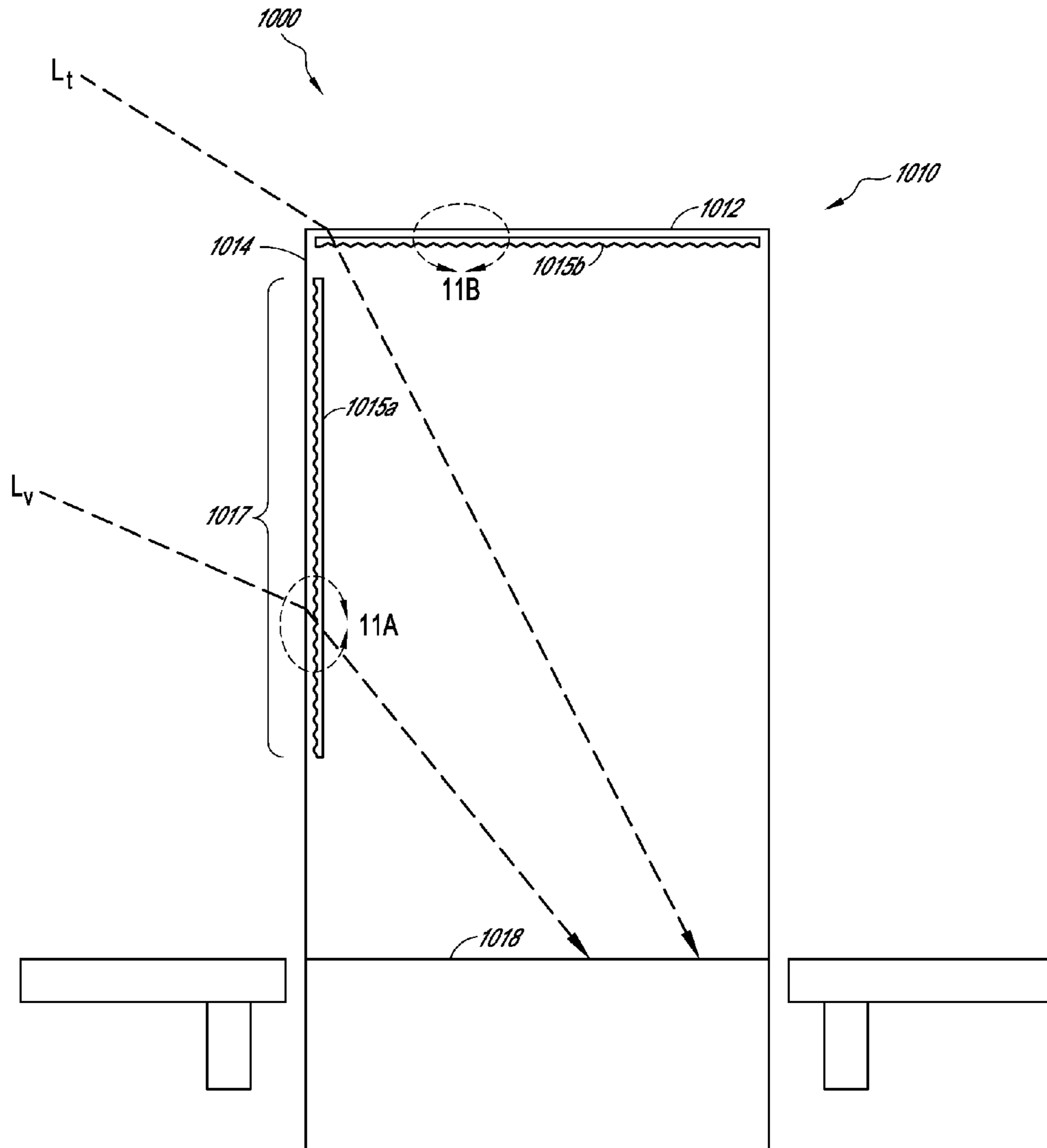


FIG. 10A

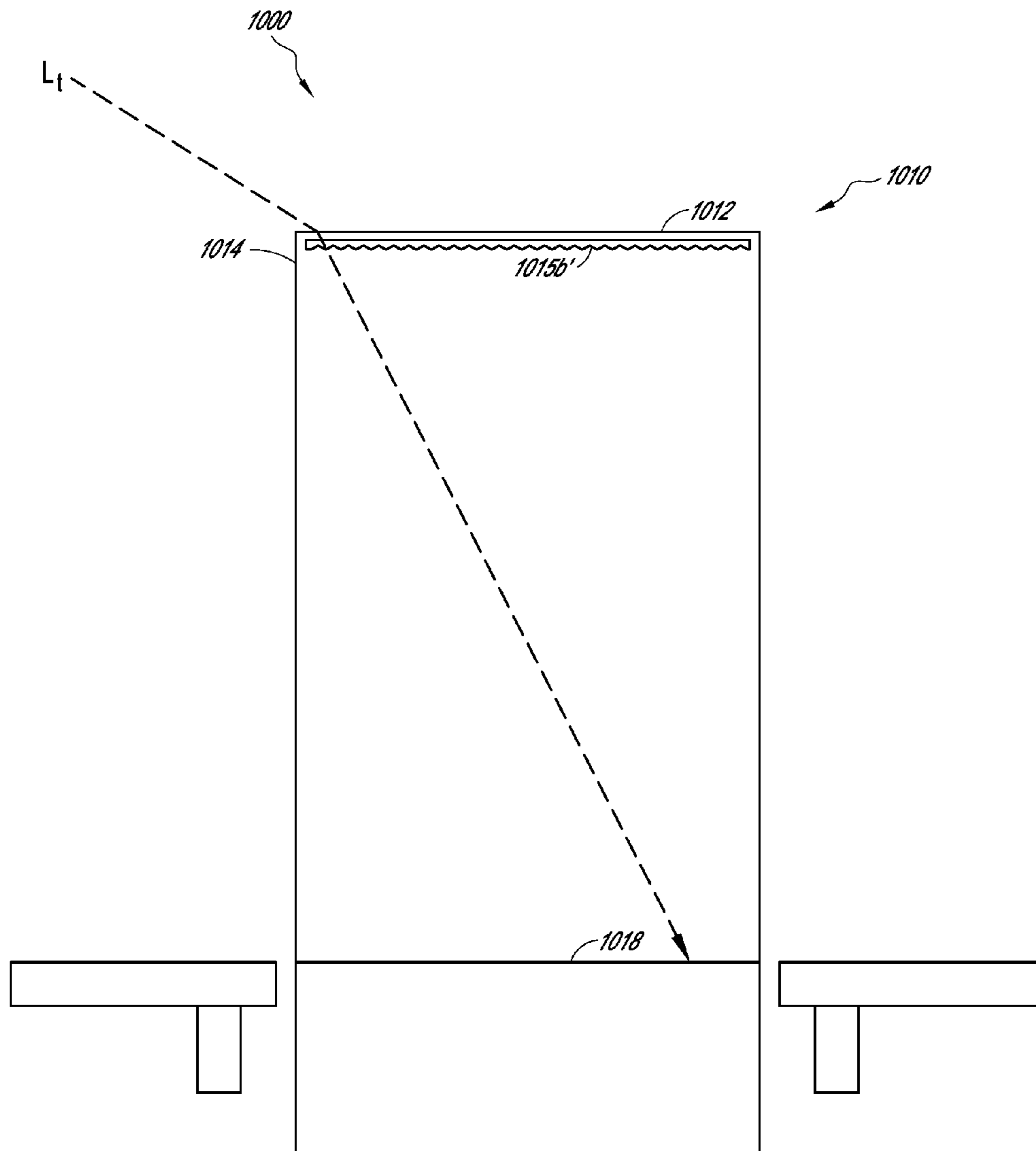


FIG. 10B

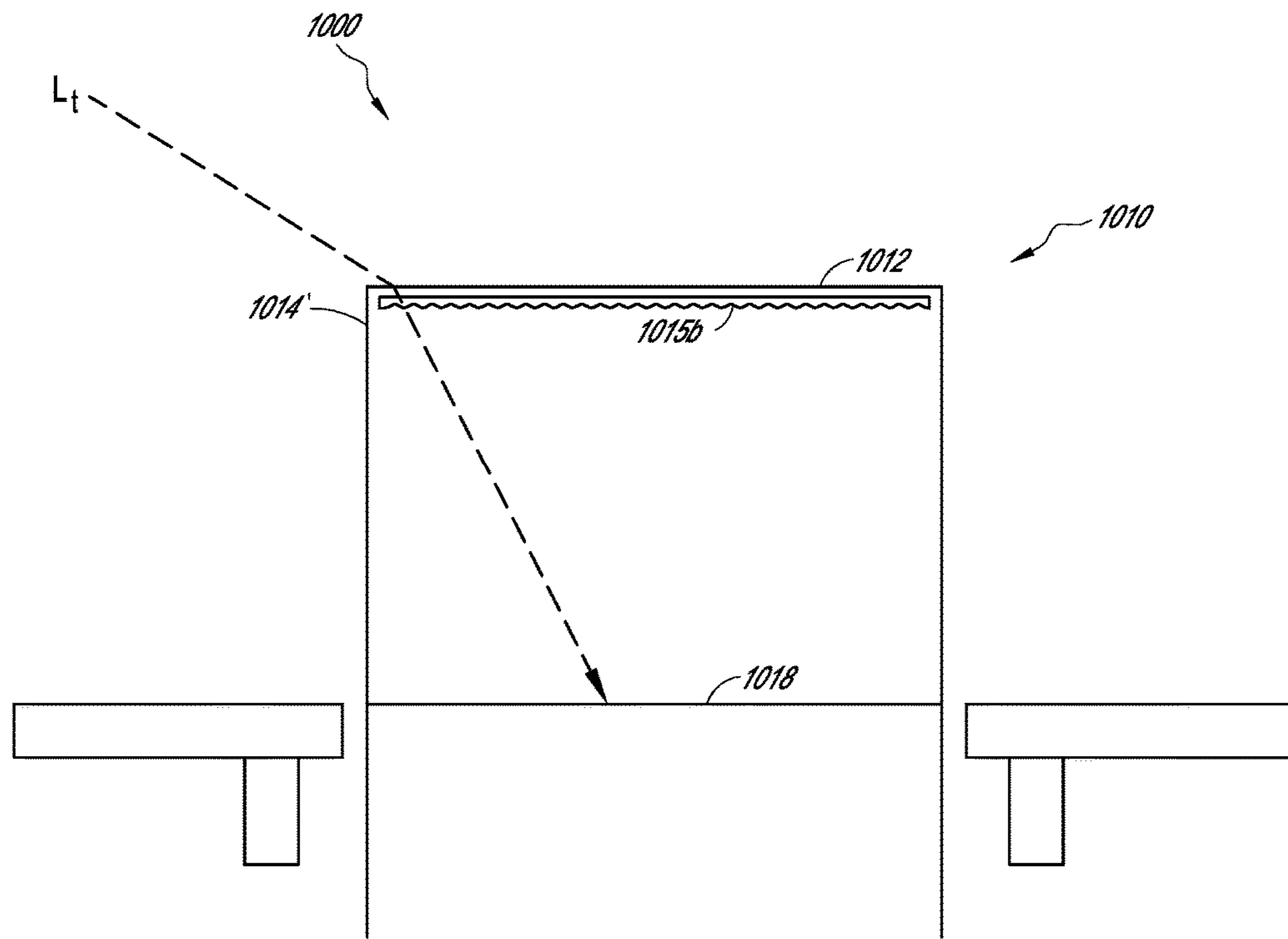


FIG. 10C

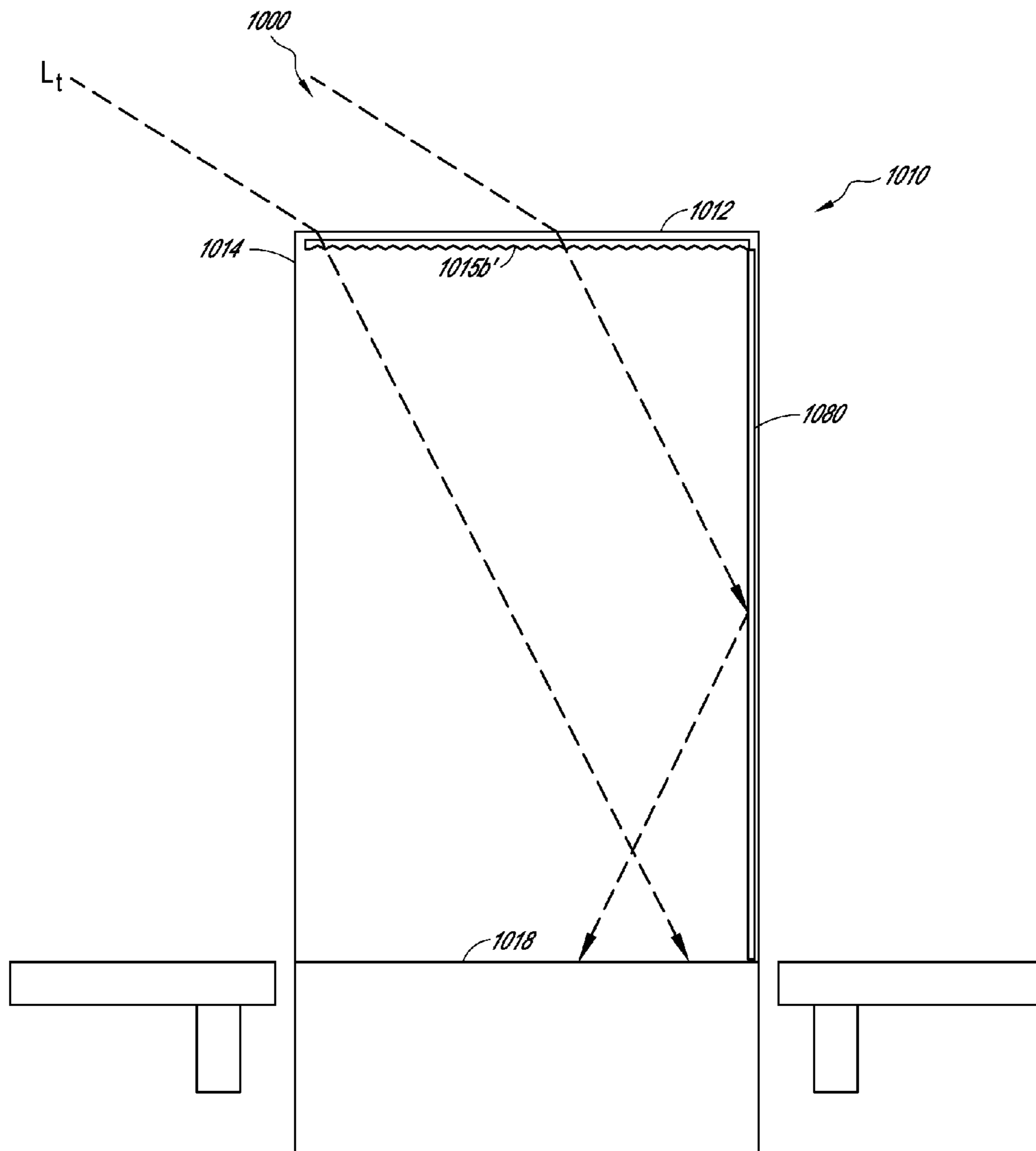


FIG. 10D

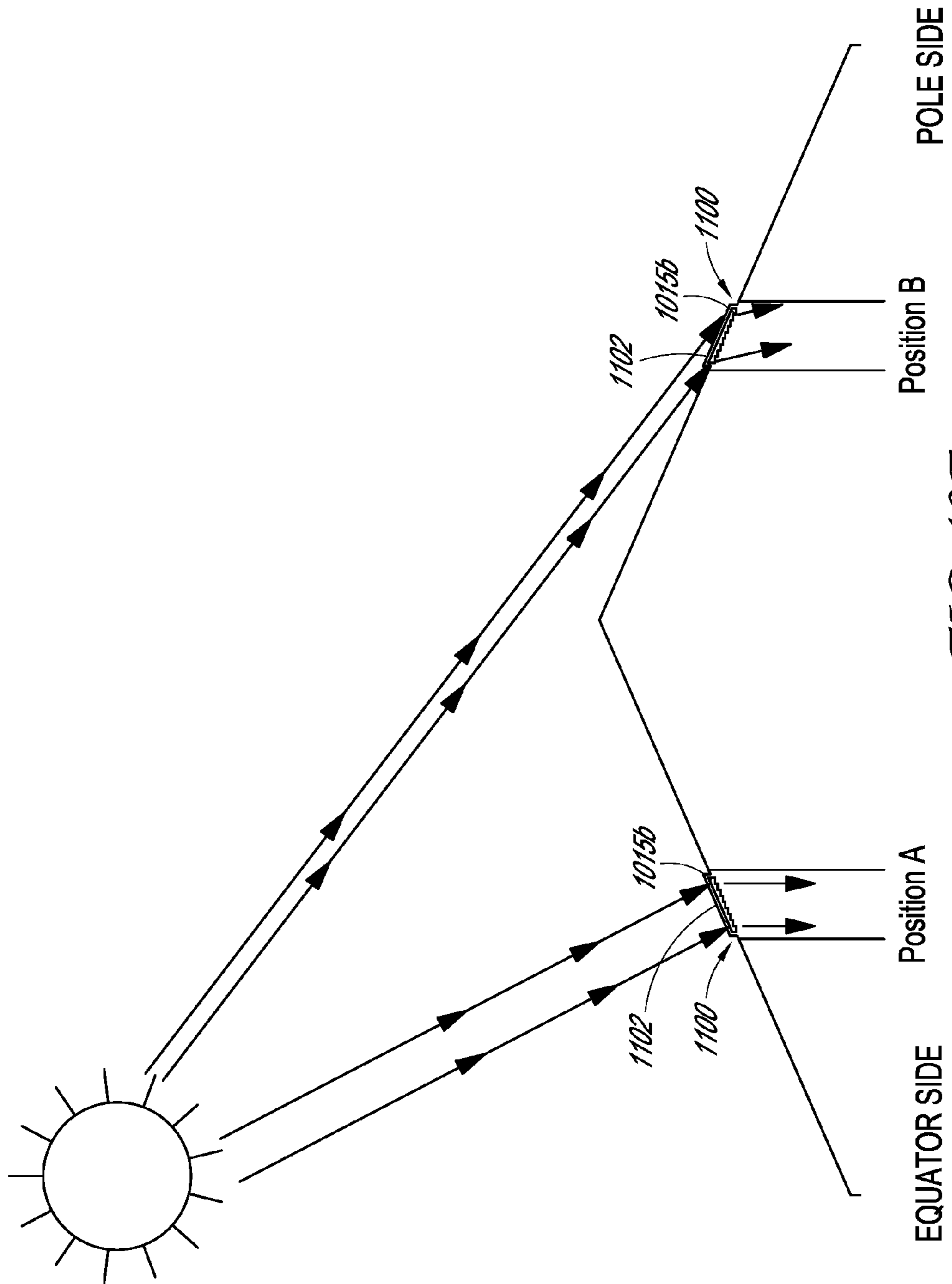


FIG. 10E

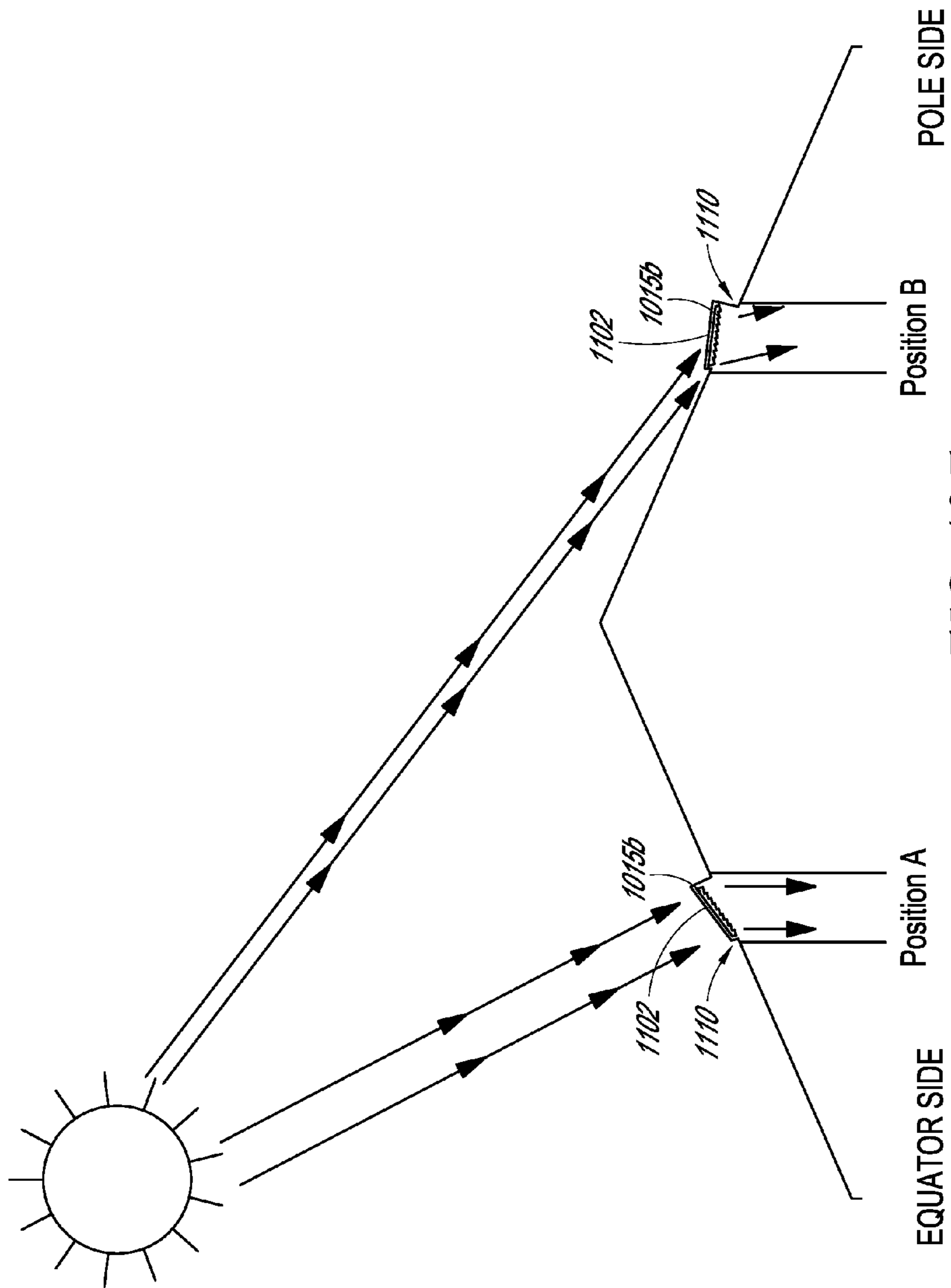


FIG. 10F

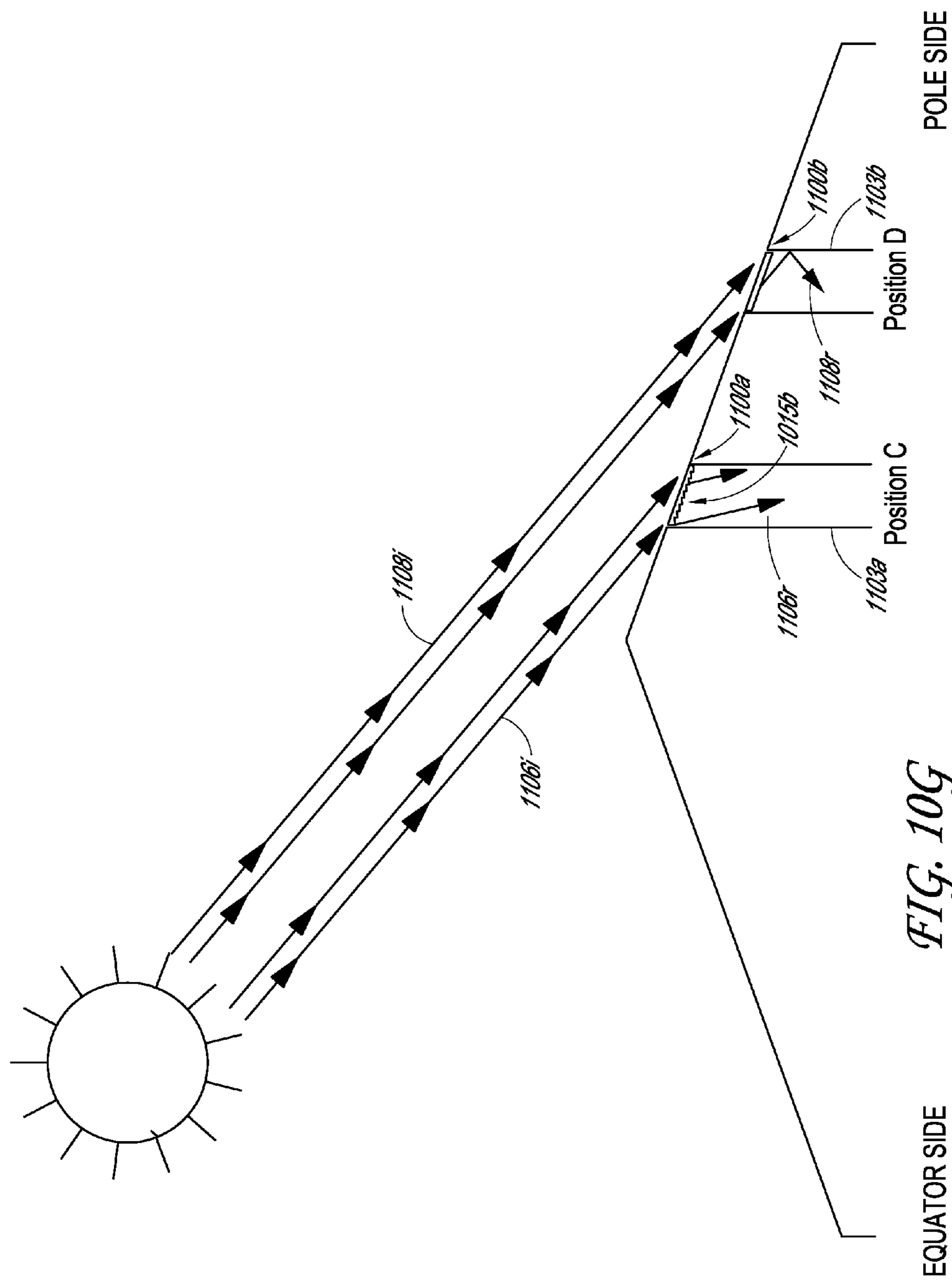


FIG. 10G

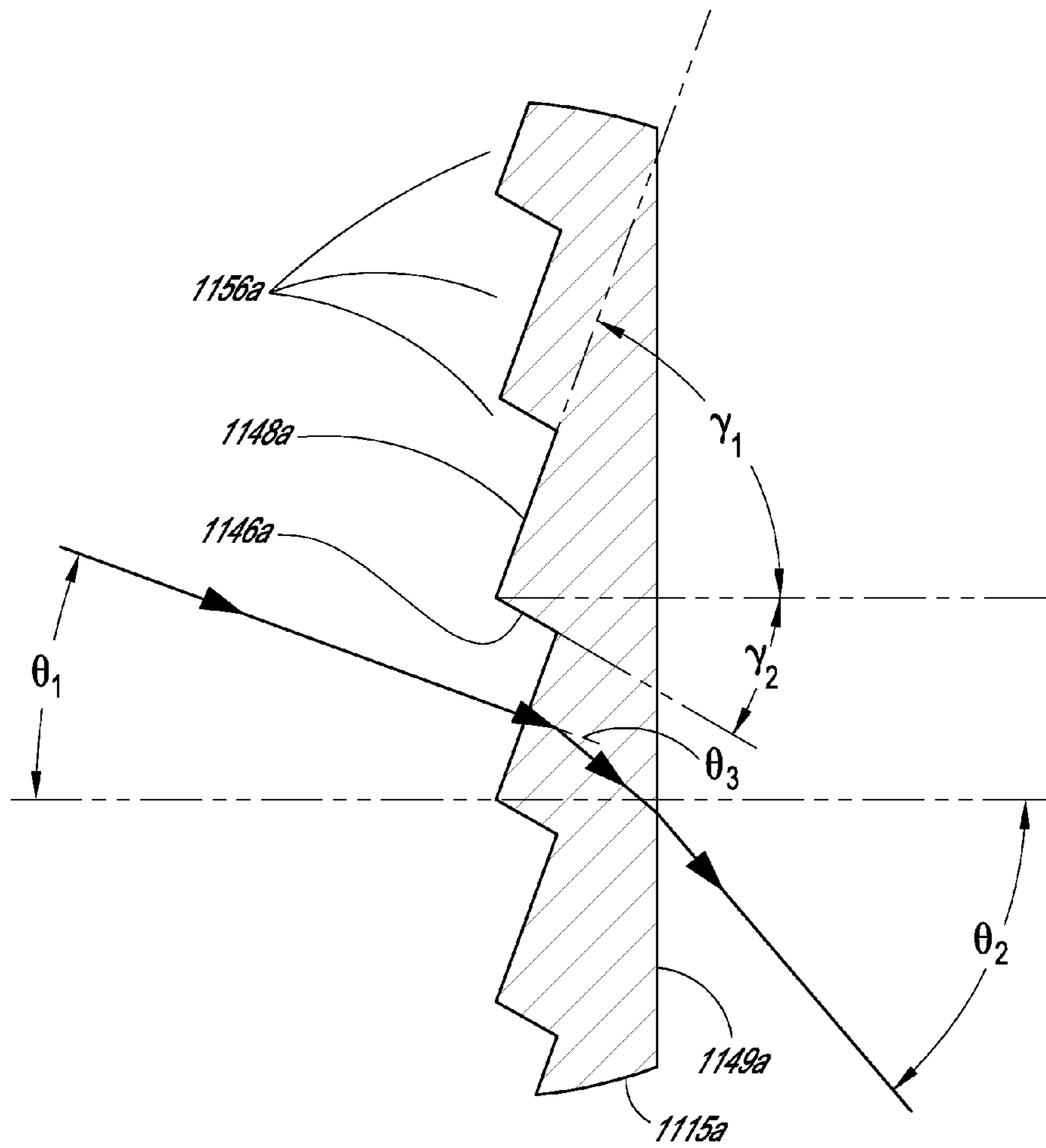


FIG. 11A

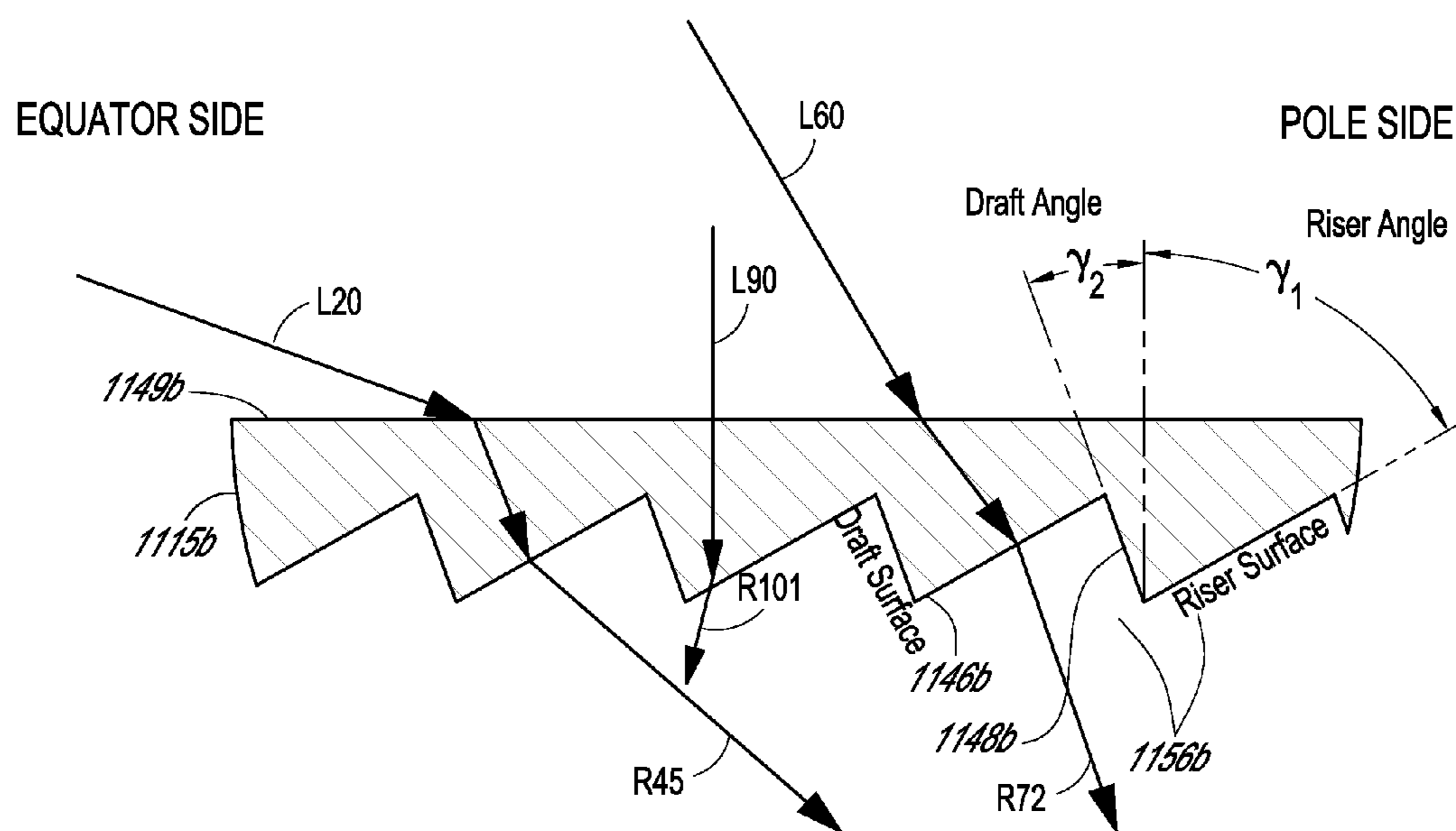


FIG. 11B

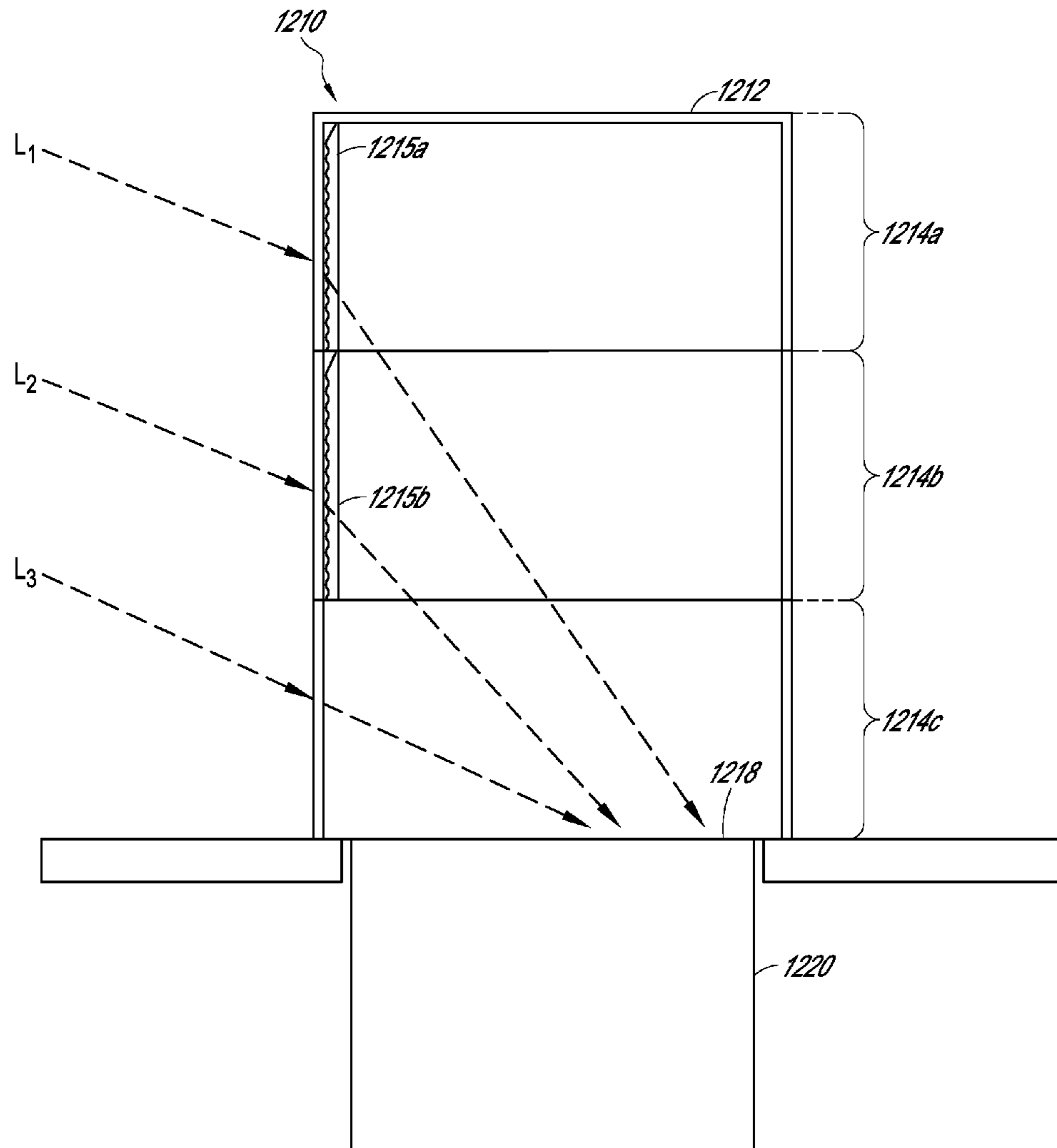
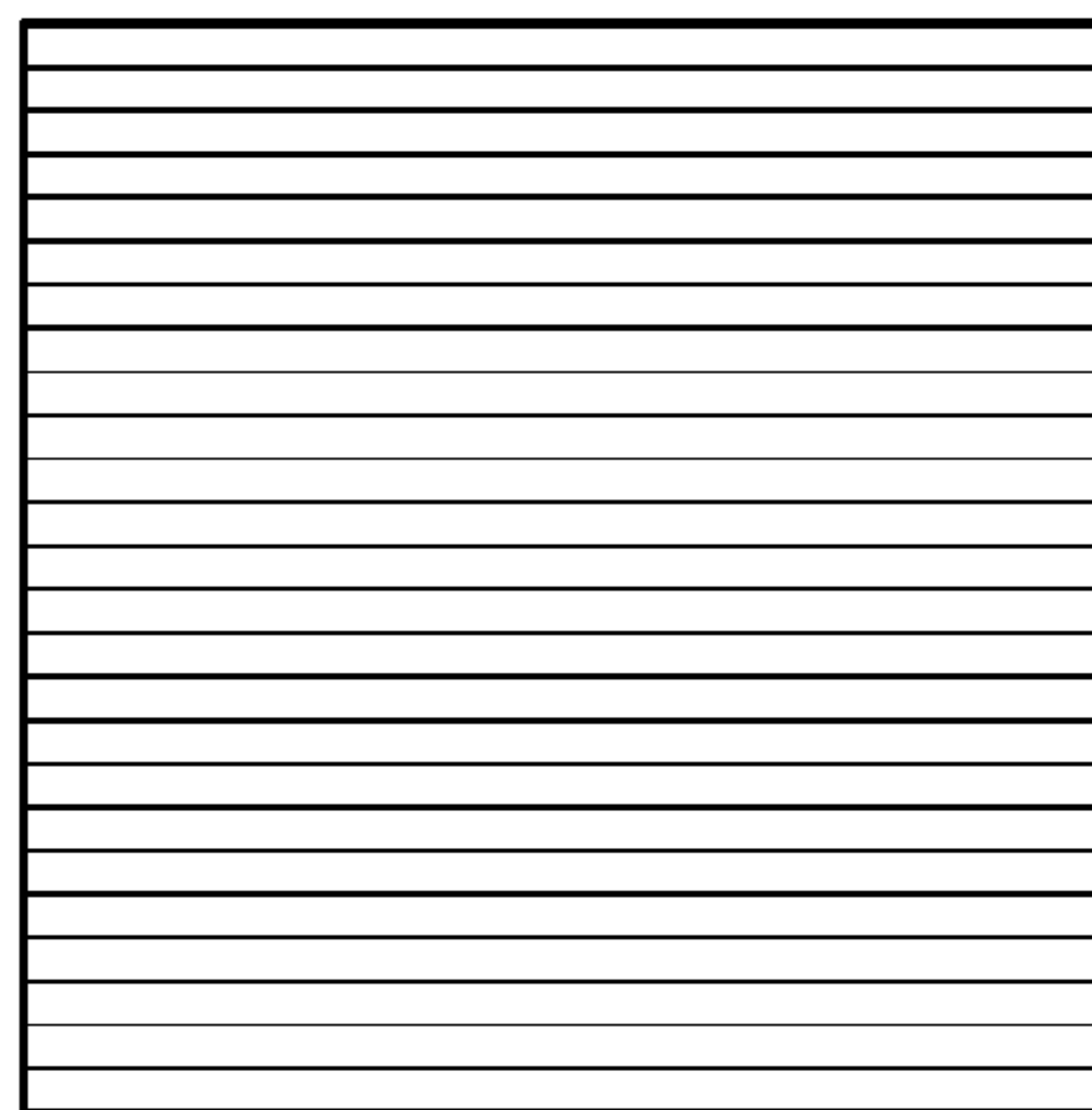
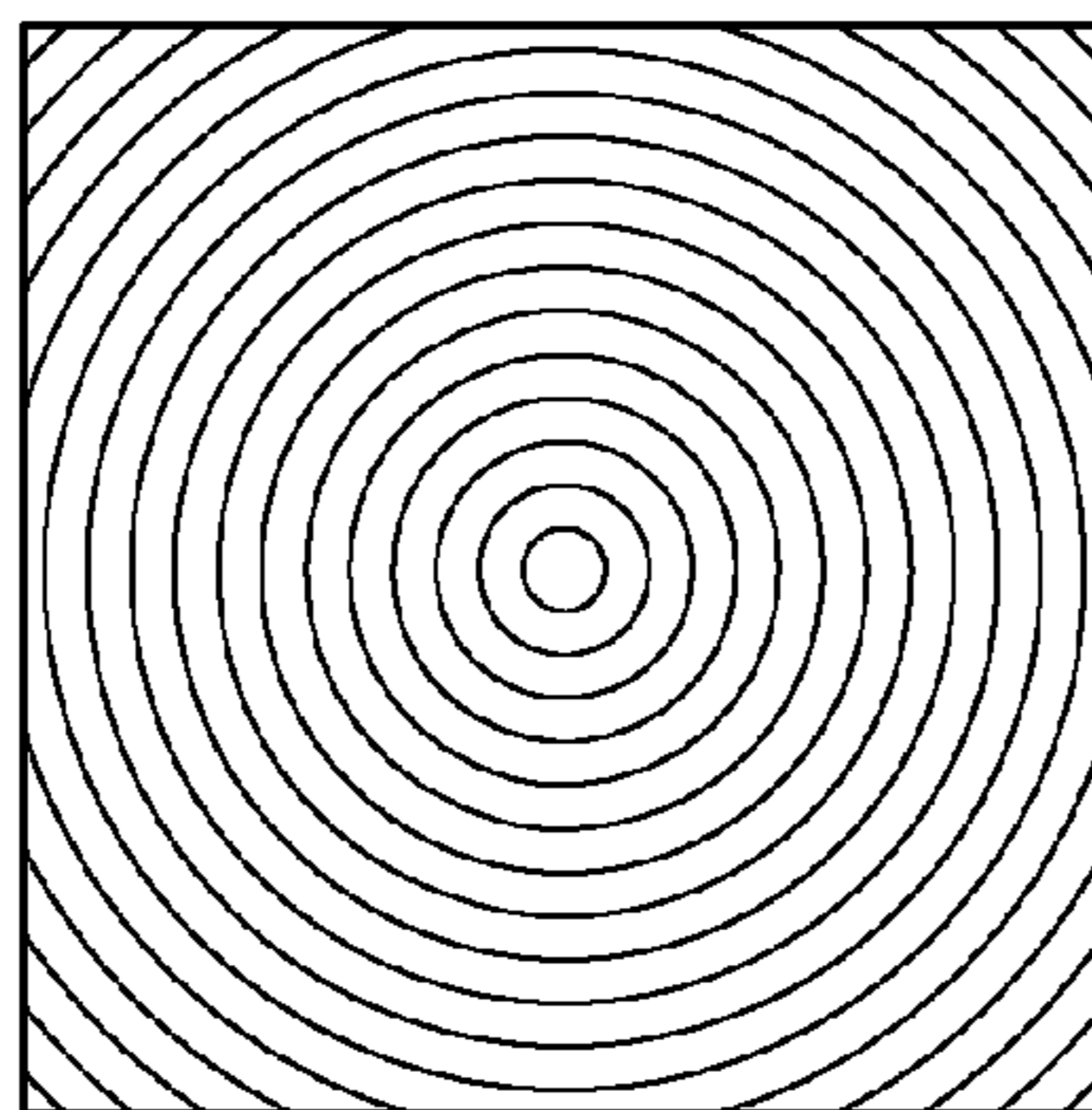


FIG. 12



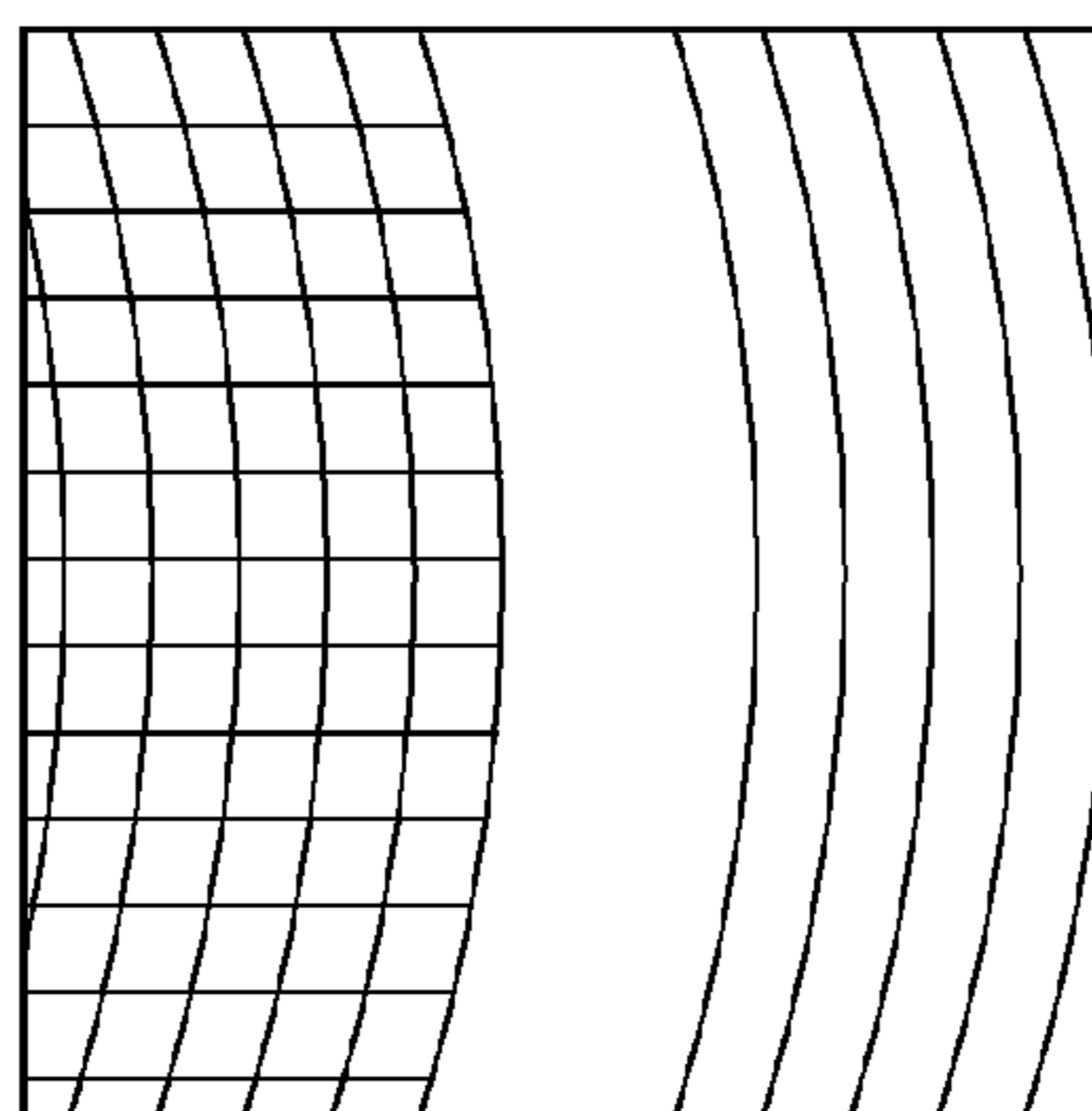
1310a

FIG. 13A



1310b

FIG. 13B



1310c

FIG. 13C

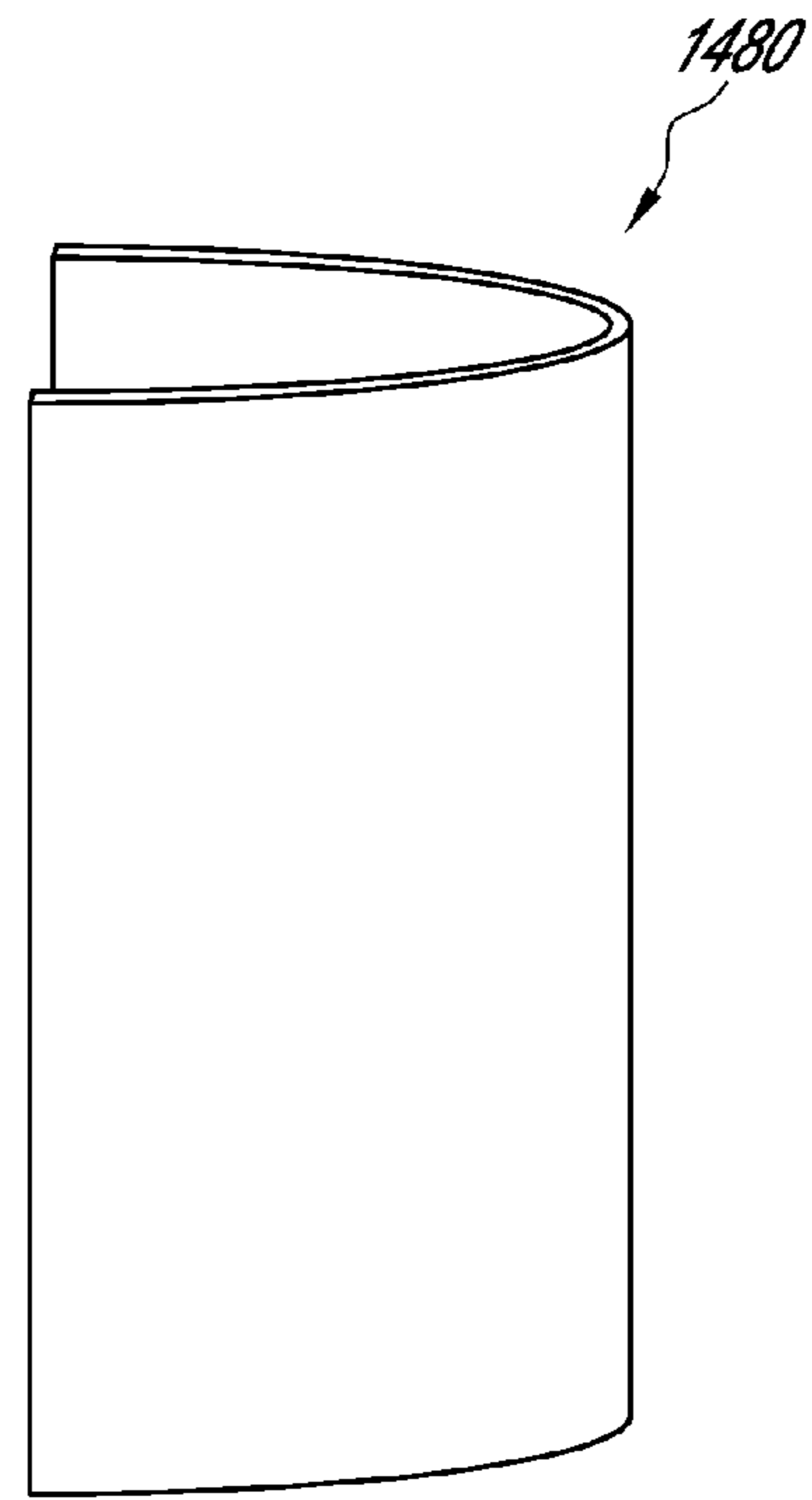


FIG. 14A

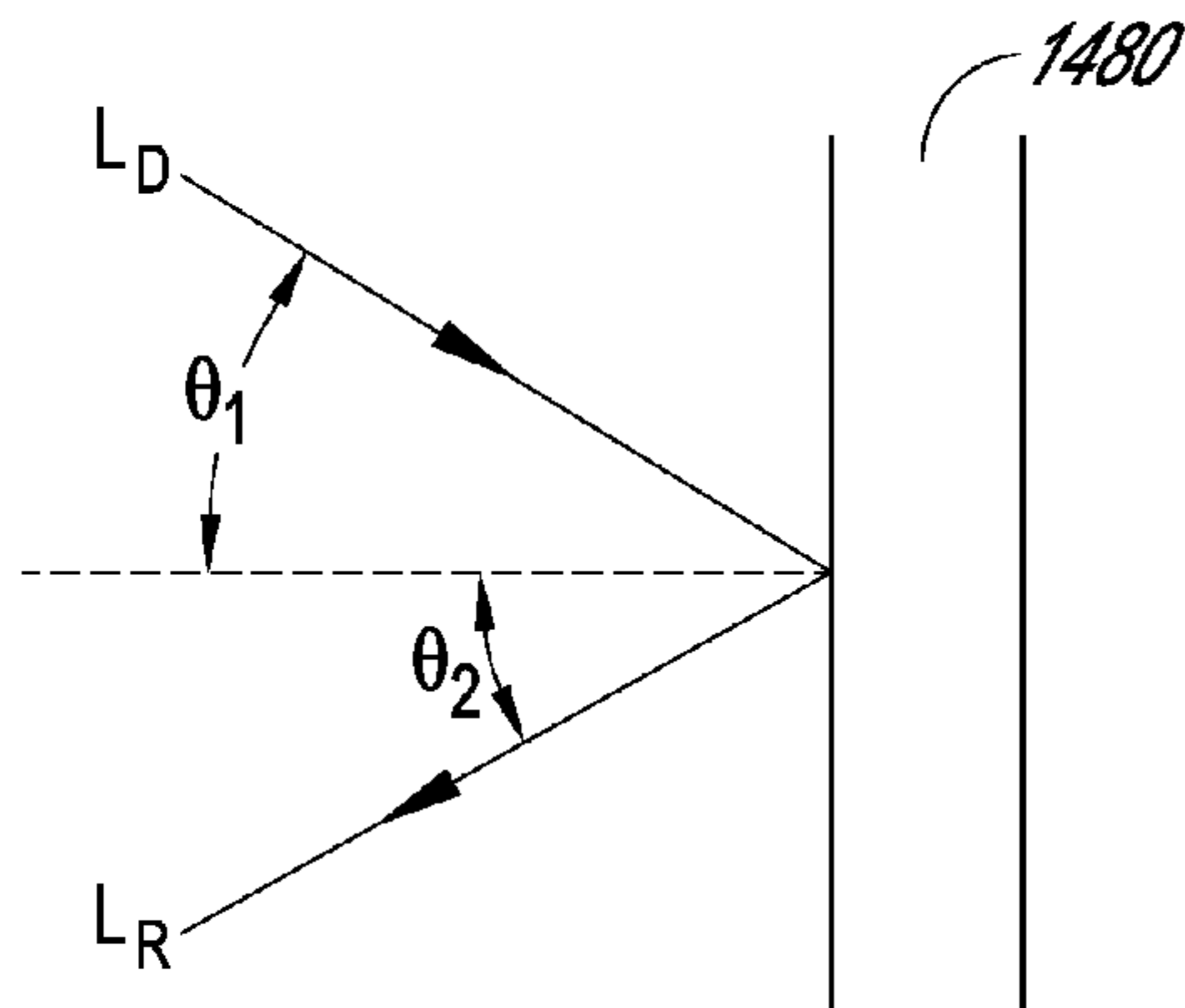


FIG. 14C

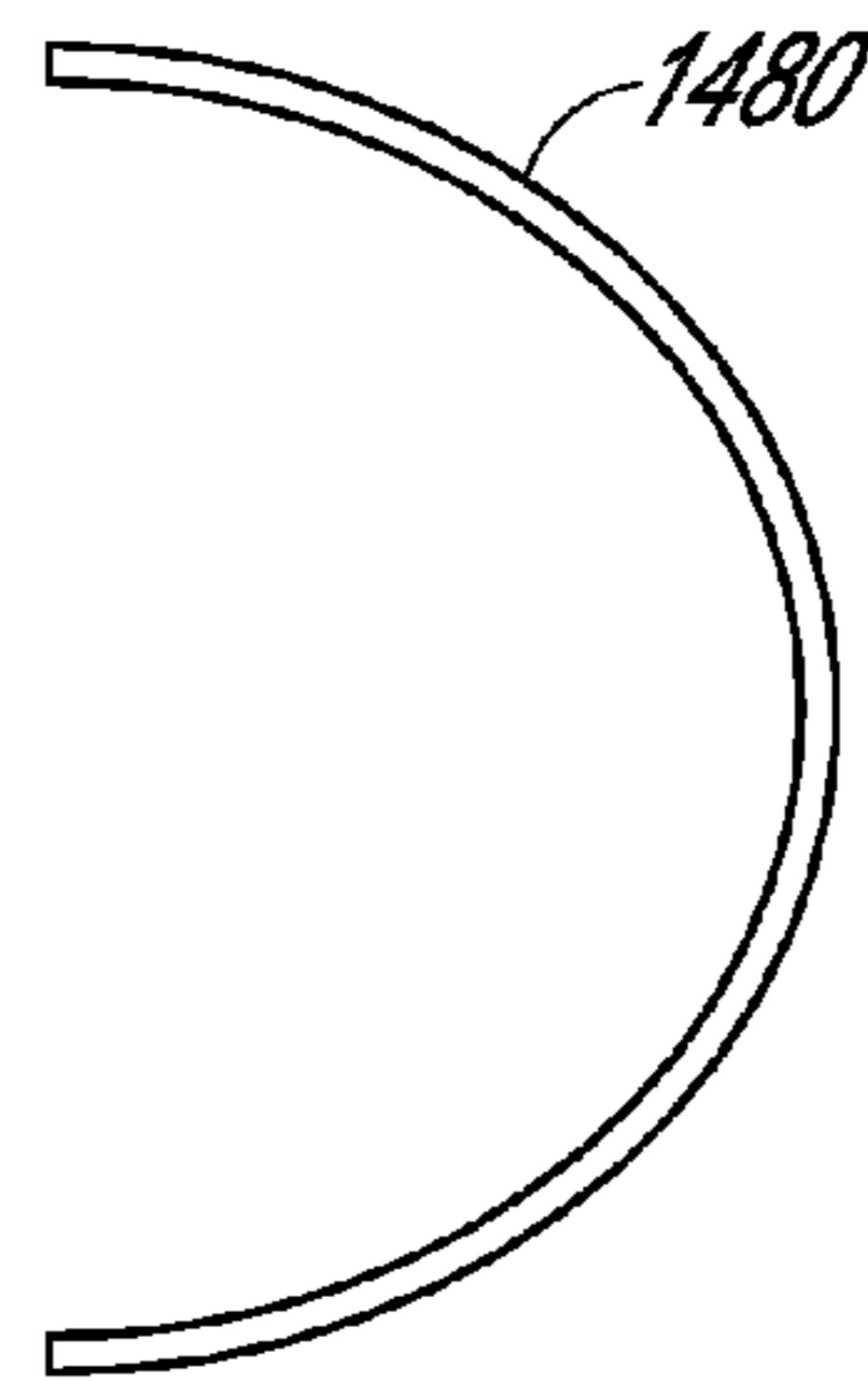


FIG. 14B

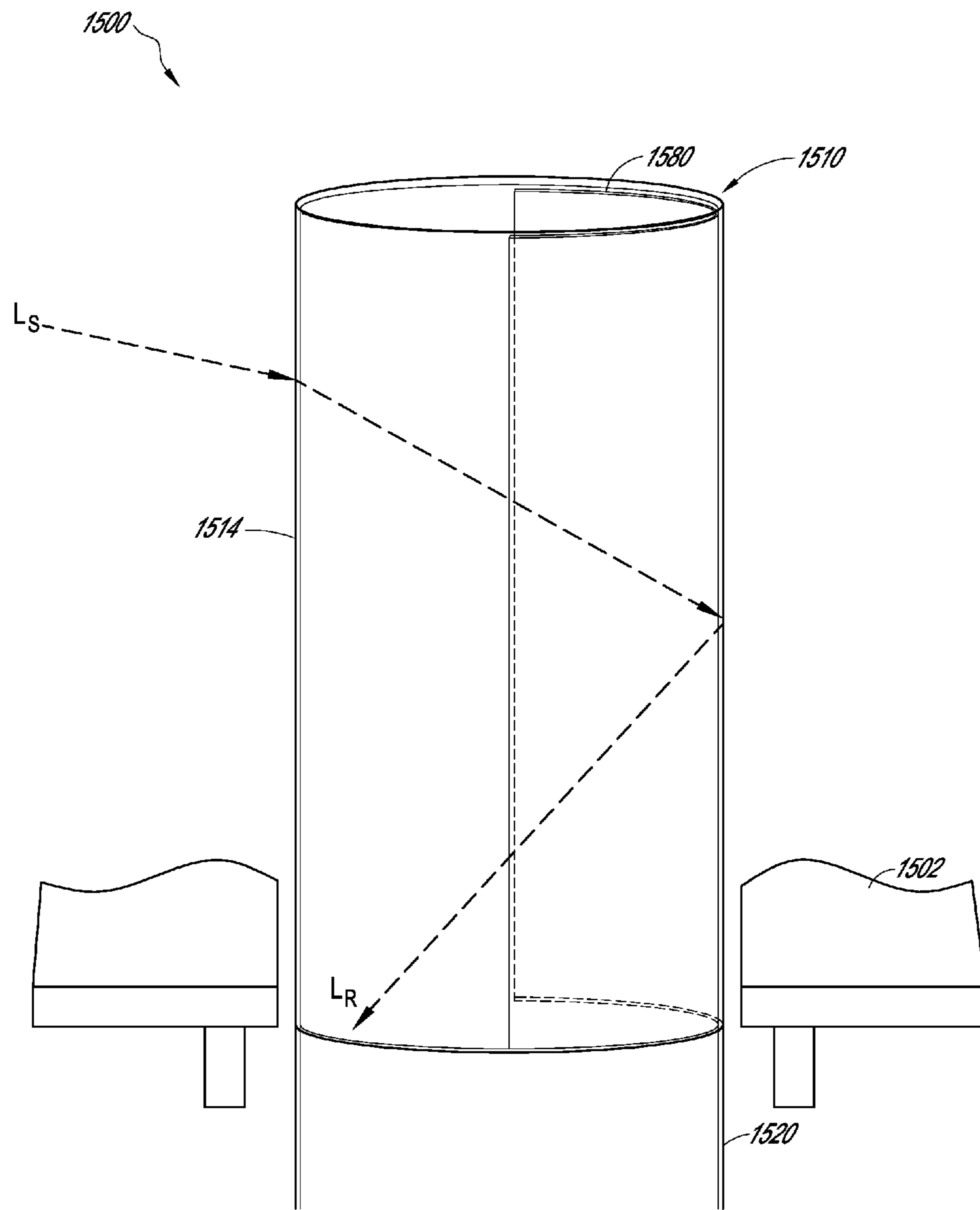


FIG. 15

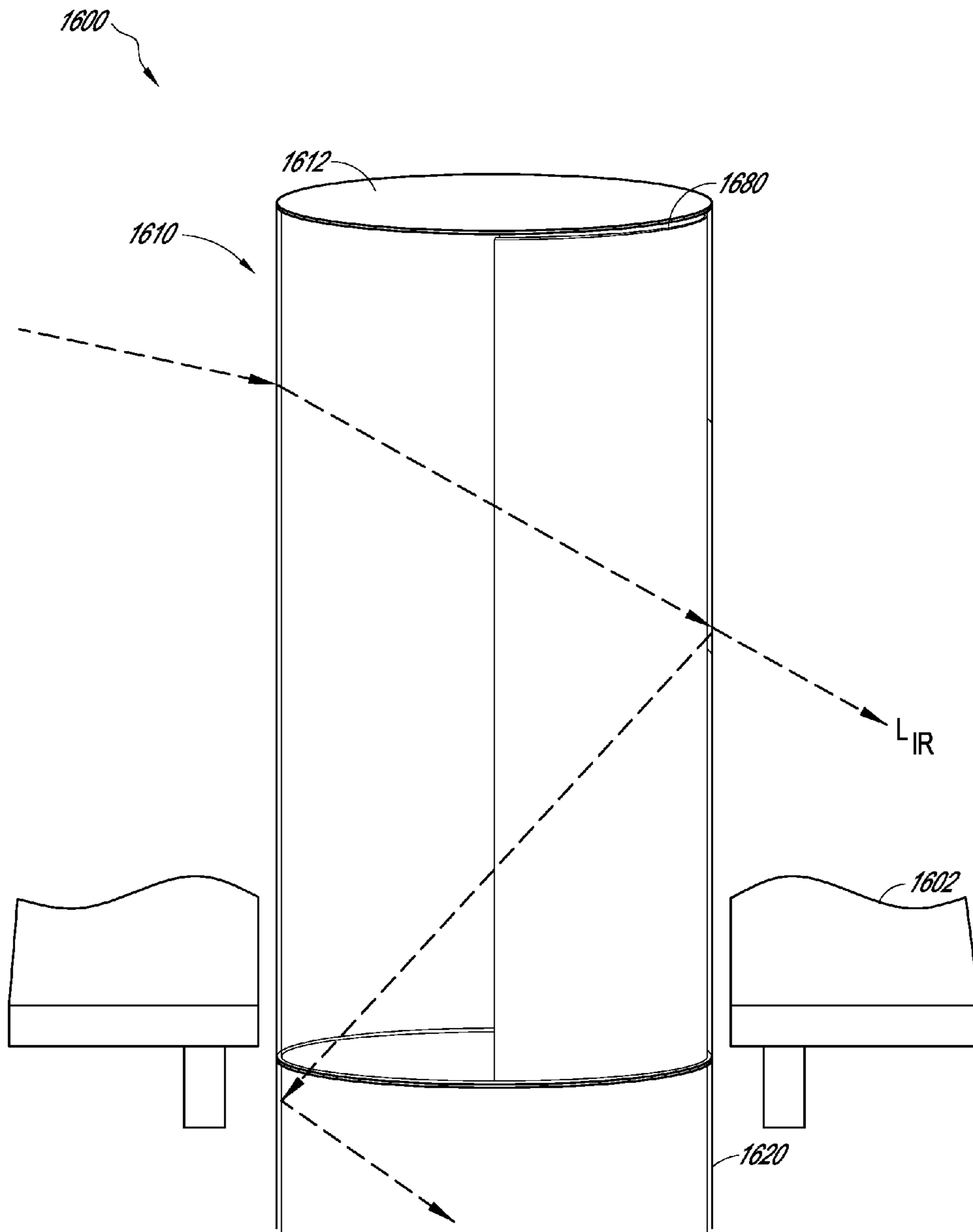


FIG. 16

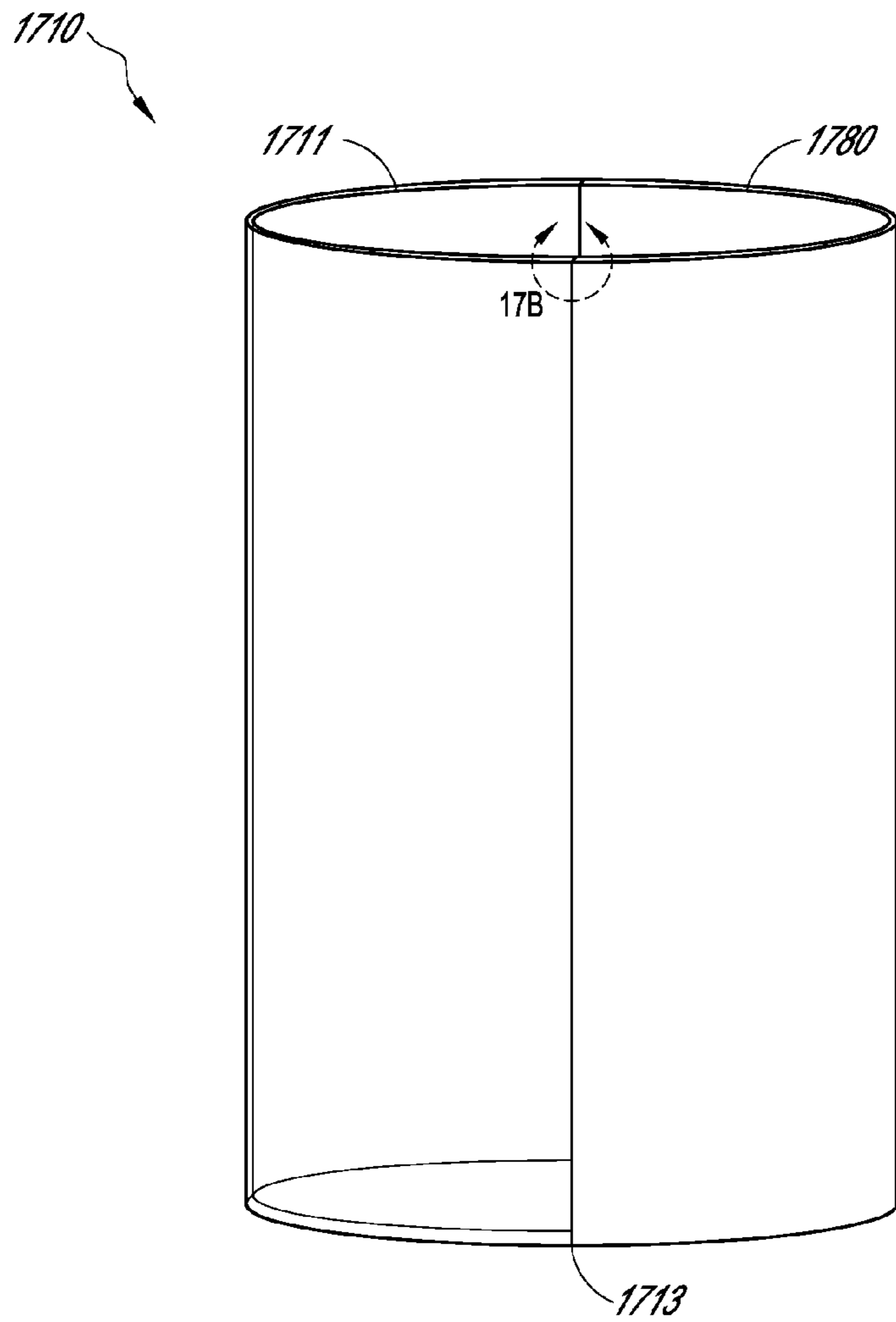


FIG. 17A

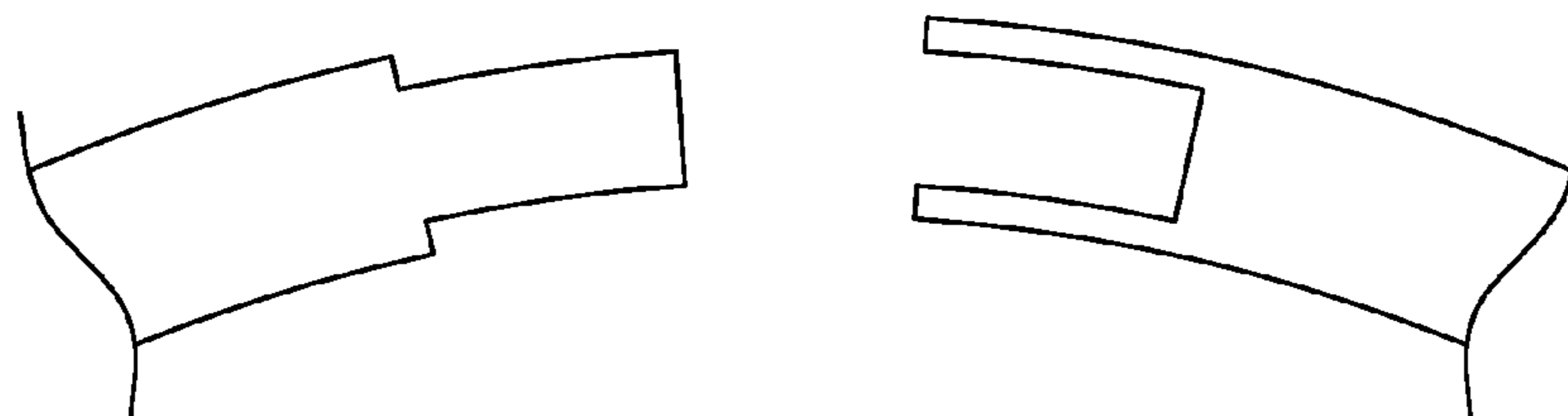


FIG. 17B

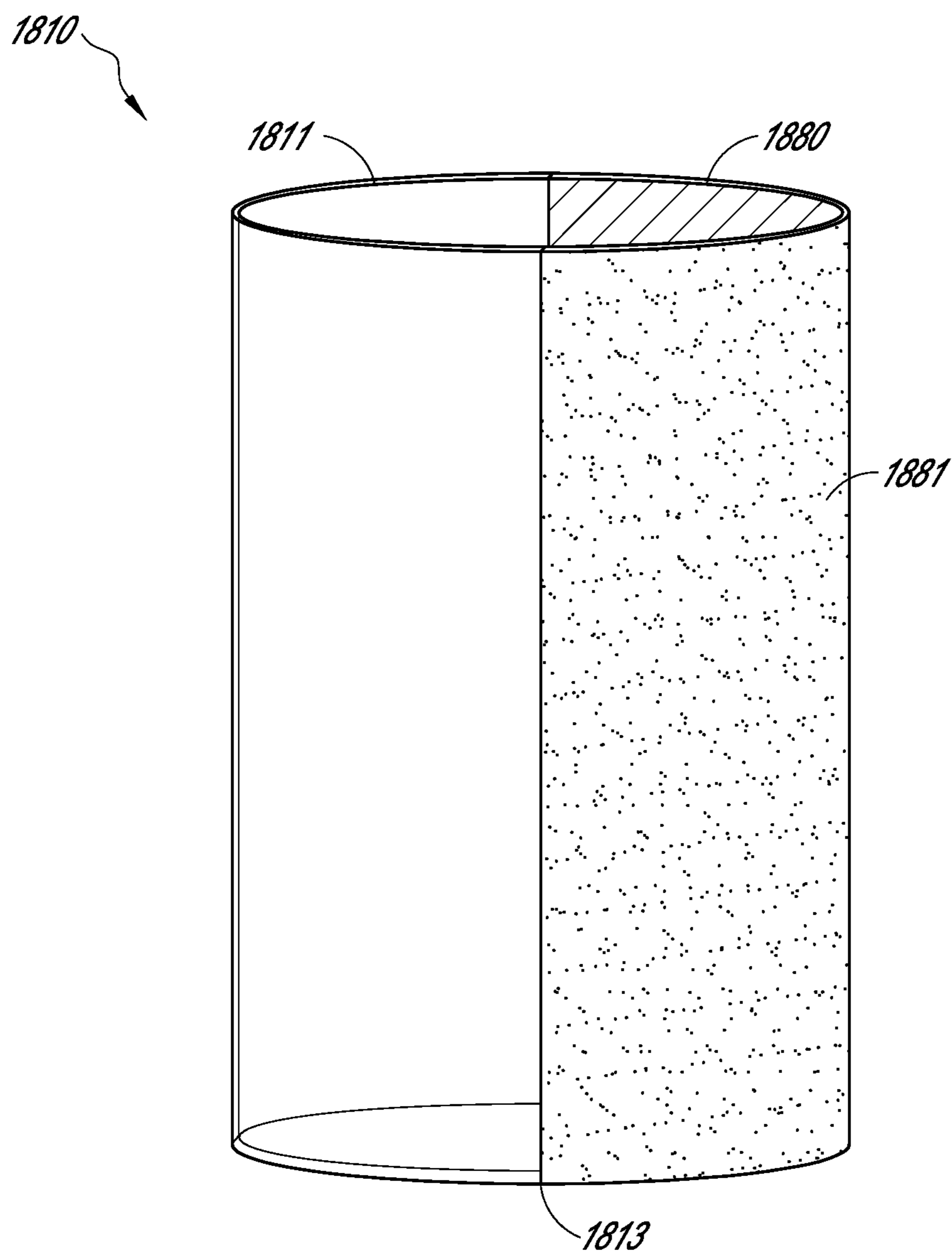


FIG. 18

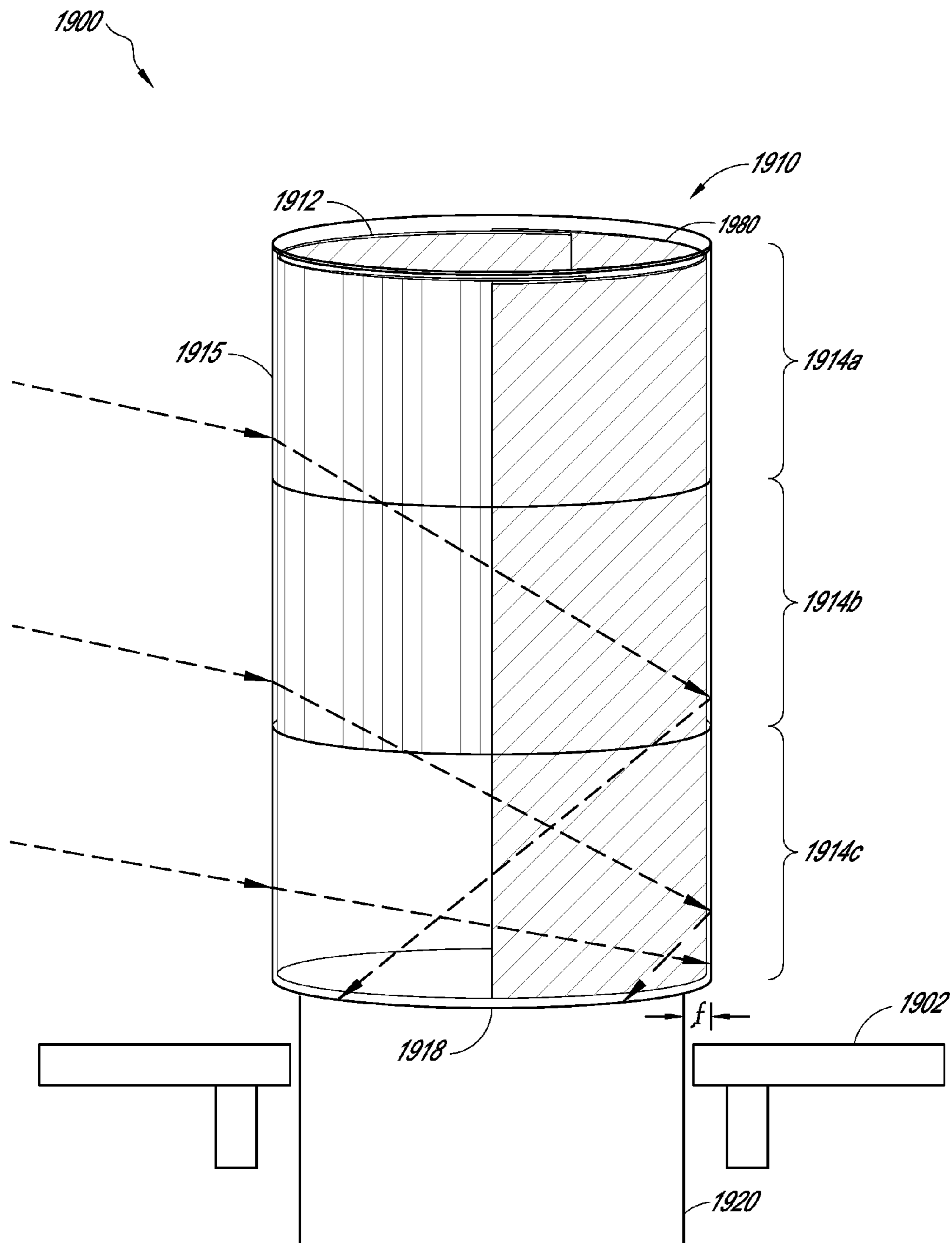


FIG. 19

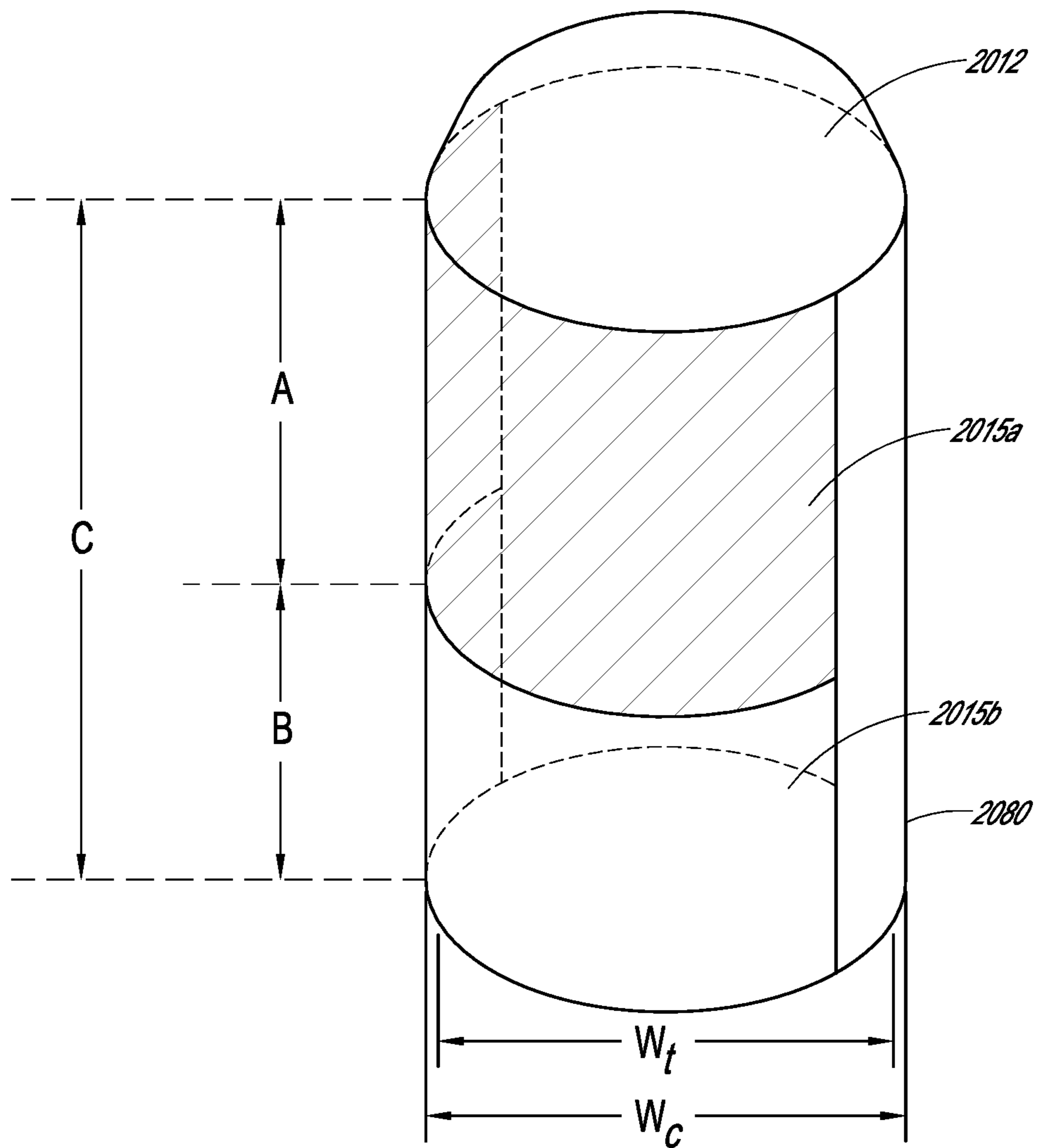


FIG. 20

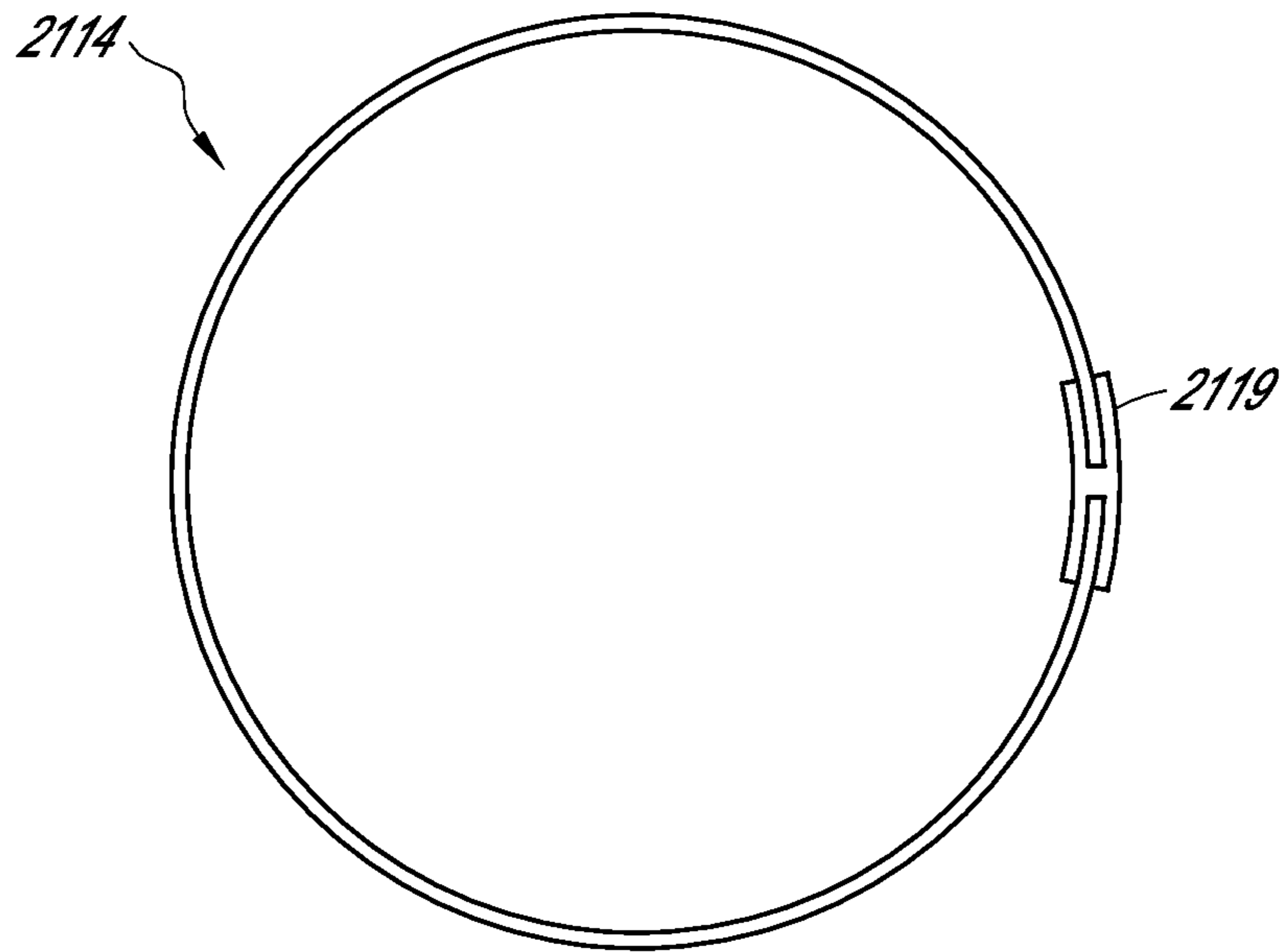


FIG. 21A

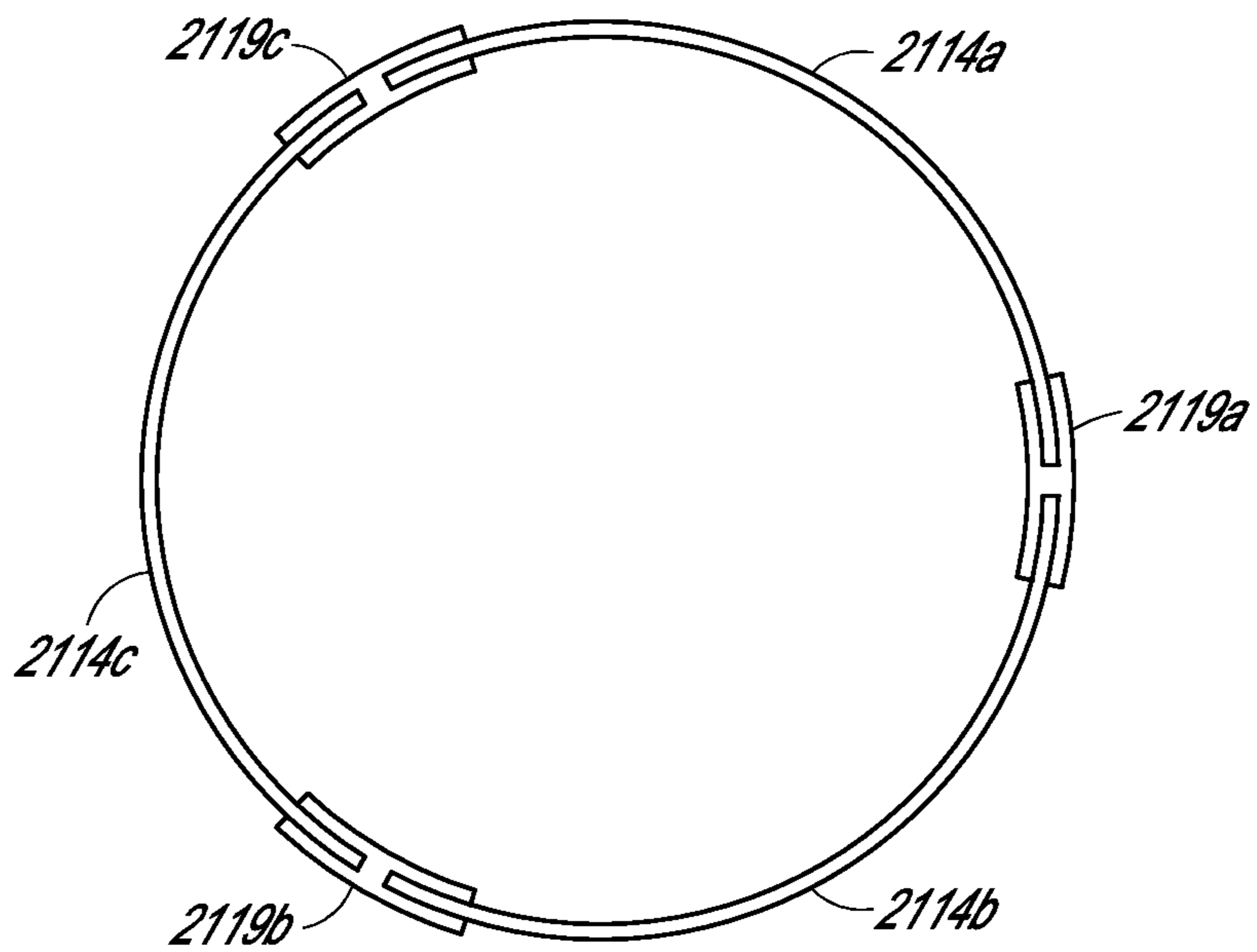


FIG. 21B

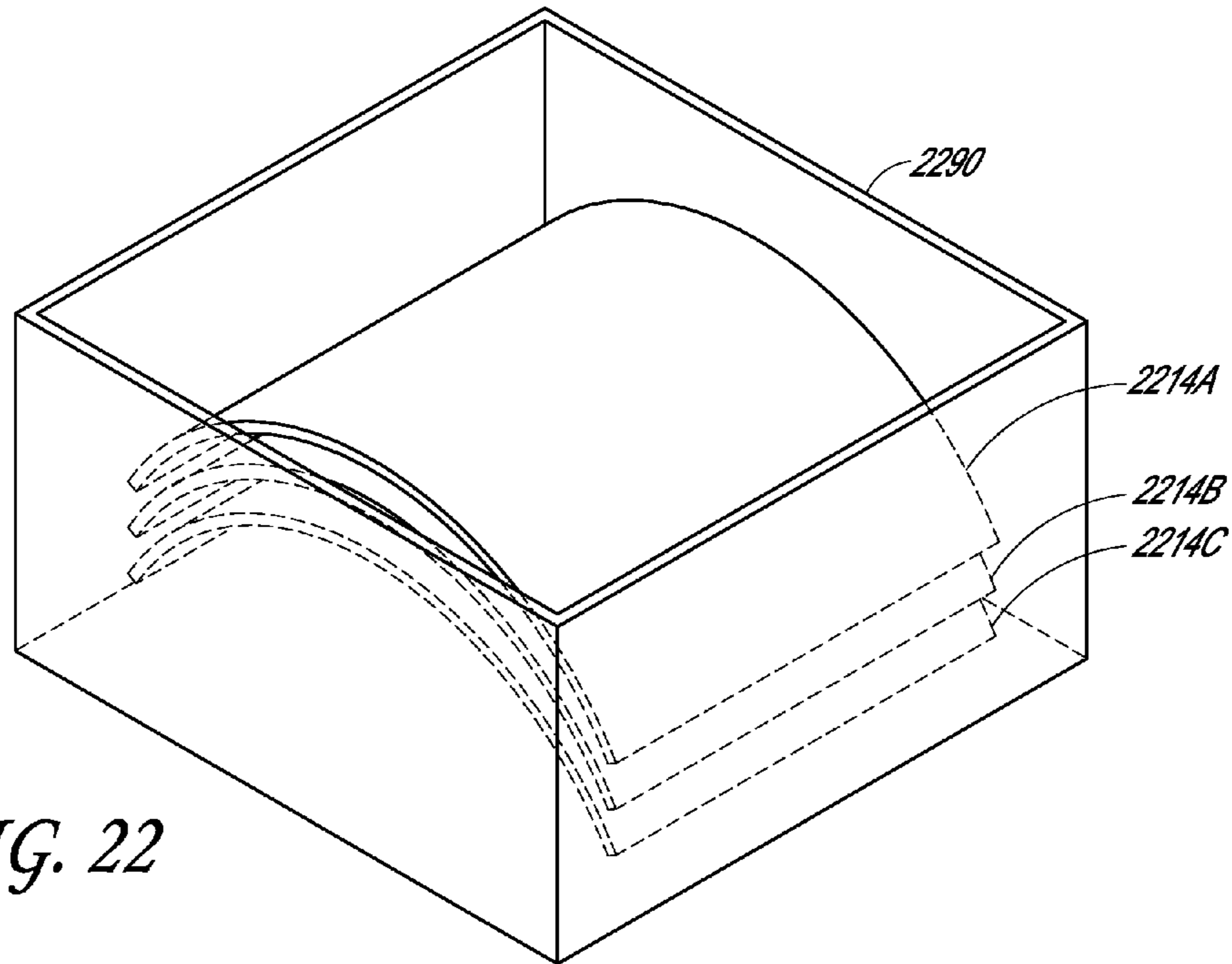


FIG. 22

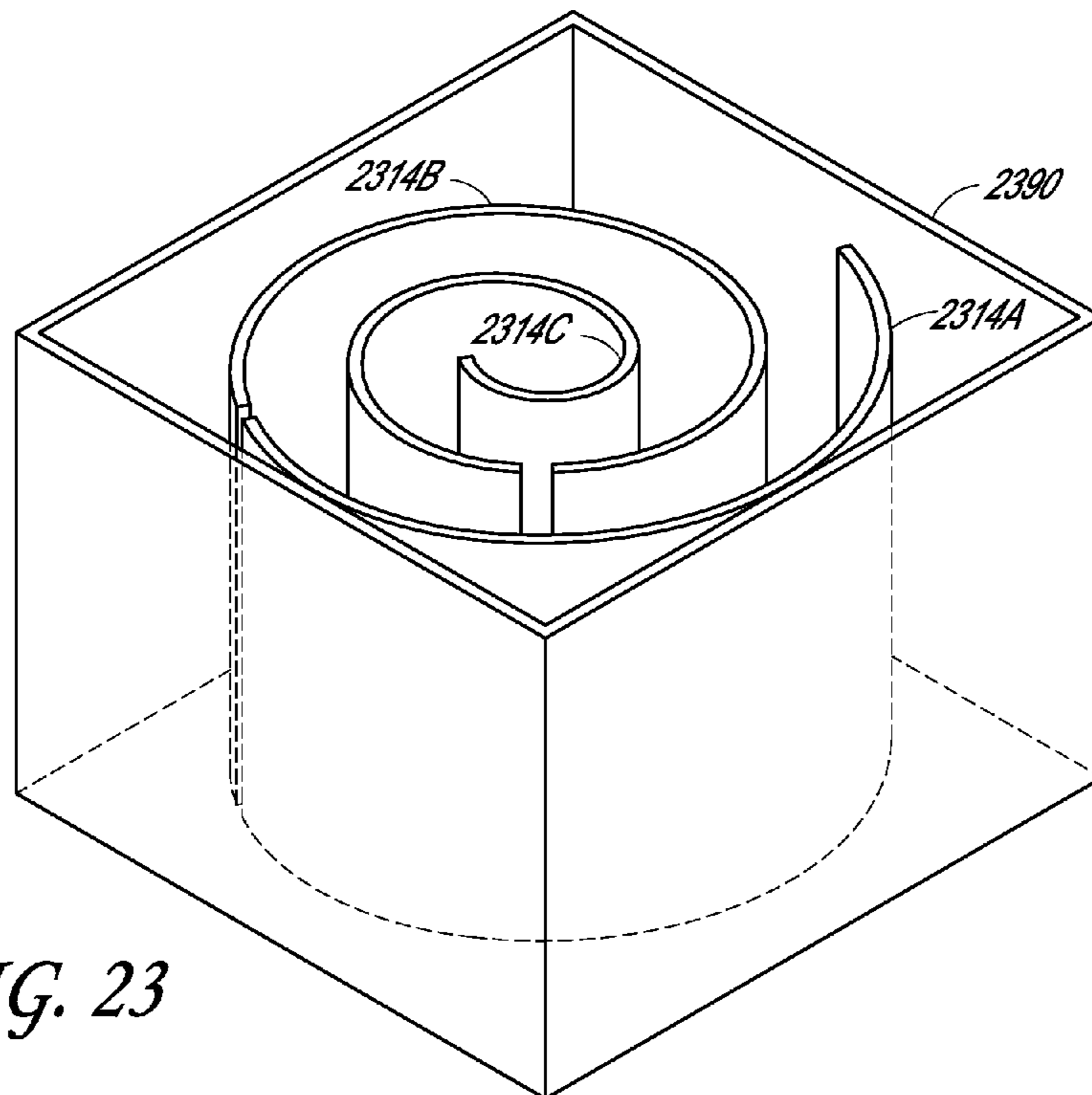


FIG. 23

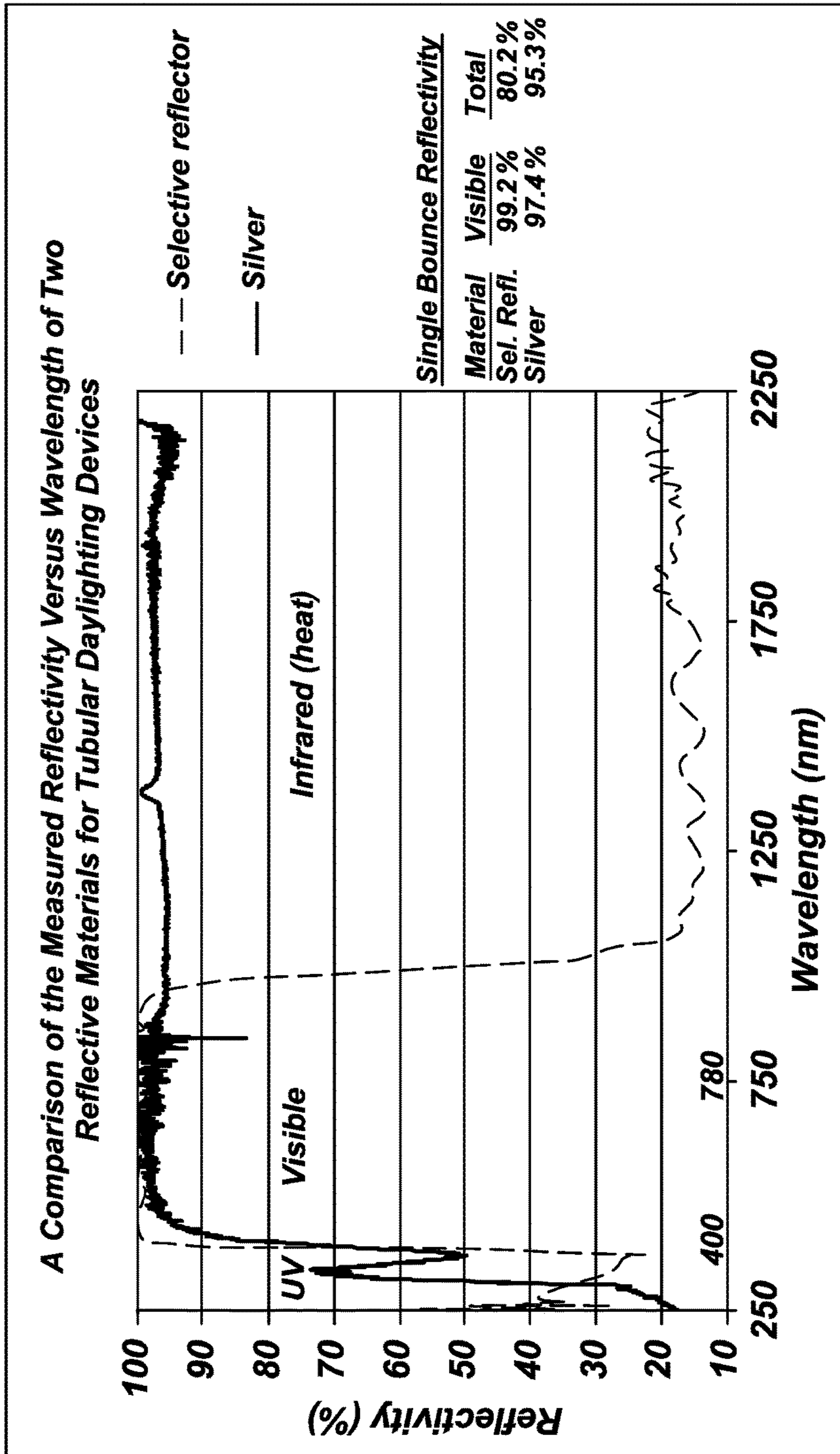


FIG. 24

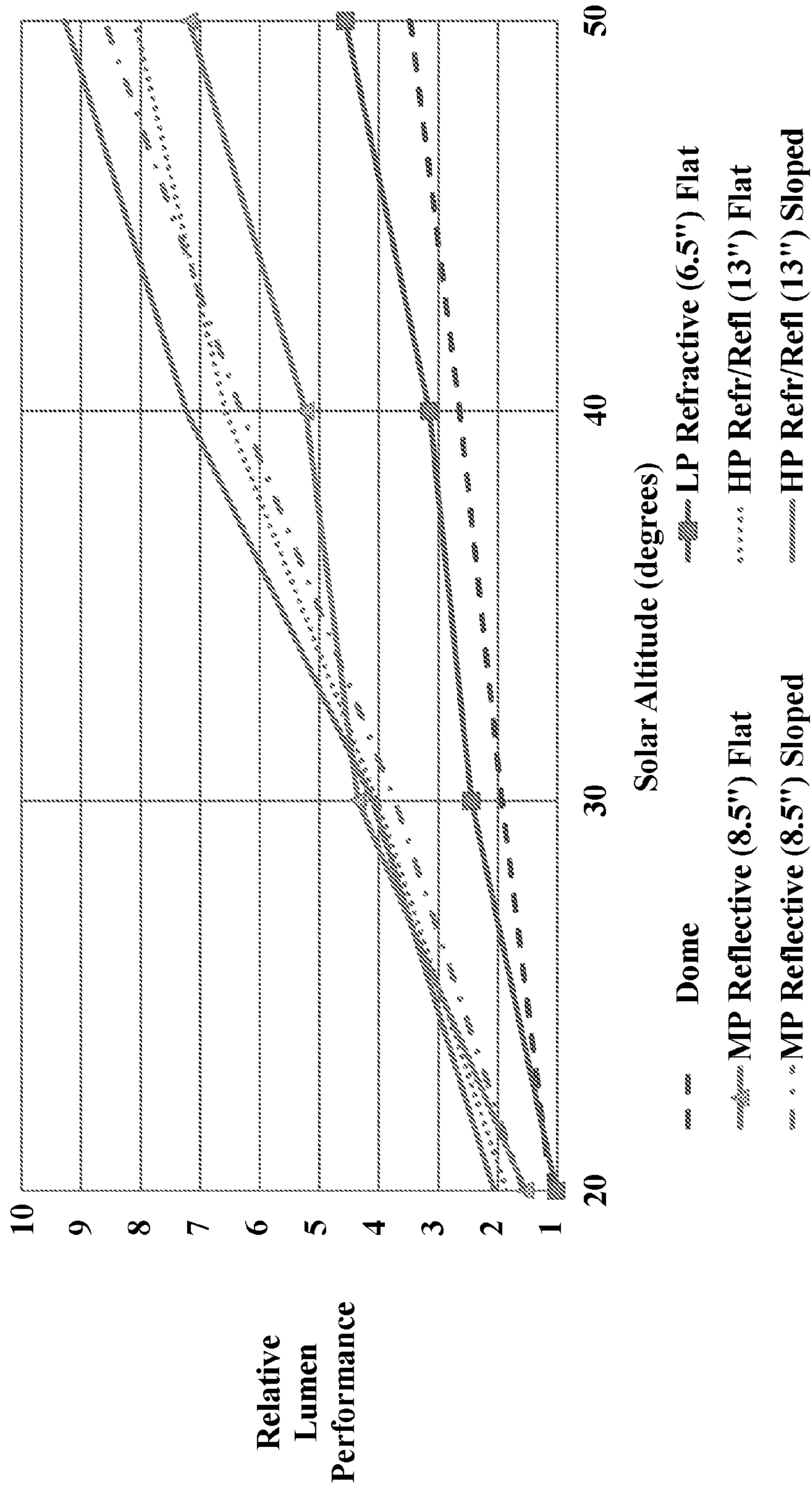


FIG. 25

DAYLIGHT COLLECTORS WITH DIFFUSE AND DIRECT LIGHT COLLECTION

INCORPORATION BY REFERENCE TO PRIORITY APPLICATION

This application is a continuation-in-part of U.S. application Ser. No. 15/074,873 filed on Mar. 18, 2016 titled "DAYLIGHT COLLECTORS WITH DIFFUSE AND DIRECT LIGHT COLLECTION," which claims the benefit of U.S. Provisional Patent Application No. 62/135,017, filed Mar. 18, 2015, titled DAYLIGHT COLLECTORS WITH DIFFUSE AND DIRECT LIGHT COLLECTION, the entire contents of the applications referenced above are incorporated by reference herein for all purposes and made a part of this specification.

BACKGROUND

Field

This disclosure relates generally to daylighting and to light collectors used in daylighting systems.

Description of Related Art

Daylighting systems typically include windows, openings, and/or surfaces that provide natural light to the interior of a building. Examples of daylighting systems include skylights and tubular daylighting device installations. Various devices and methods exist for receiving daylight into a daylighting device. Certain currently known devices and methods for receiving daylight into a daylighting device suffer from various drawbacks.

SUMMARY

Lighting devices and methods for providing daylight to the interior of a structure are disclosed. Some embodiments disclosed herein provide a daylighting device including a tube having a sidewall with a reflective interior surface, a light collecting assembly, and a light reflector positioned to reflect daylight into the light collector. In some embodiments, the light collector is associated with one or more refractive and/or reflective elements configured to increase the amount of light captured by the daylighting device.

Some embodiments provide an at least partially transparent light-collecting device for directing daylight into a collector base aperture. The device can include a top cover portion and a substantially vertical sidewall portion configured to support the top cover portion above an upper end of the substantially vertical sidewall portion and to define a collector base aperture at a lower end of the substantially vertical sidewall portion. In certain embodiments, the substantially vertical portion has a height that extends between the top cover portion and the collector base aperture, and is configured to receive daylight.

Some embodiments provide a light-collecting device configured to direct daylight through a collector base aperture and into an interior of a building when the light-collecting device is installed on a roof of the building. The device can include a top cover portion and a sidewall portion. The sidewall can be configured to support the top cover portion above an upper end of the sidewall portion and to define a collector base aperture at a lower end of the sidewall portion. The sidewall portion can have a height that extends between the top cover portion and the collector base aperture, and the height can be greater than a width of the collector base aperture. The light-collecting device can have a prismatic element configured to refract a portion of light that passes

through the top portion. The prismatic element can have a planar surface and a prismatic surface. The planar surface can be positioned towards the direction of incoming light and the prismatic surface is opposite the planar surface. The light collecting device can include a reflector configured to turn at least a portion of the refracted light towards the collector base aperture. The light-collecting device can be positioned over an opening in a roof of a building and can direct daylight into the opening in the roof.

The light-collecting device can include a prismatic element associated with the substantially vertical sidewall portion and configured to turn at least a portion of daylight received by the vertical portion towards the collector base aperture, and a reflector associated with the substantially vertical portion configured to reflect the portion of daylight towards the opening. In certain embodiments, the collector base aperture has a width and is configured to be positioned adjacent to an opening of a building when the light-collecting device is installed as part of a tubular daylighting device installation.

Certain embodiments disclosed herein provide an at least partially transparent light-collecting device configured to direct daylight through a collector base aperture and into an interior of a building when the light-collecting device can be installed on a roof of the building. The device can include a top cover portion and a substantially vertical sidewall portion configured to support the top cover portion above an upper end of the substantially vertical sidewall portion and to define a collector base aperture at a lower end of the substantially vertical sidewall portion, wherein the substantially vertical portion has a height that extends between the top cover portion and the collector base aperture, and wherein the substantially vertical portion can be configured to receive a substantial amount of daylight during early morning and late afternoon hours. The device can include a prismatic element associated with the substantially vertical sidewall portion and configured to turn at least a portion of daylight received by the vertical portion towards the collector base aperture, as well as an infrared control element associated with the substantially vertical sidewall portion configured to absorb or transmit at least a portion of infrared (IR) light of the portion of daylight. The light-collecting device can be configured to be positioned over an opening in a roof of a building and can be configured to direct daylight into the opening in the roof when the light-collecting device is installed as part of a daylighting device installation.

The infrared control element can be configured to absorb the at least a portion of infrared light and reradiate the portion of infrared light away from an interior of the light-collecting device. The infrared control element can include a material having high emissivity characteristics, such as a material having an emissivity value of greater than 0.90. In certain embodiments, the sidewall portion can be configured to absorb the reradiated portion of infrared light. The sidewall portion can be configured to transmit the reradiated portion of infrared light. For example, the sidewall portion can include acrylic.

In certain embodiments, the infrared control element can be at least partially secured to the sidewall portion by an adhesive configured to absorb infrared light incident on a surface of the infrared control element. The height of the vertical portion can be greater than the width of the collector base aperture. In certain embodiments, the top cover portion can be substantially flat. In other embodiments, the top cover portion includes a dome-shaped or cone-shaped surface.

The vertical portion can include a plurality of vertically-arranged segments, including a top segment and a bottom segment. In some embodiments, additional segments, such as, for example, a middle segment, can be present. The top, middle, and bottom segments can be each approximately 5 to 10 inches in height. In certain embodiments, the top, middle, and bottom segments can be each a uniform height.

The infrared control element can be at least partially transparent with respect to infrared light. In certain embodiments, the vertical portion is substantially cylindrically shaped. In such embodiments, the infrared control element can be curved and nestingly disposed along an interior surface of the vertical portion. The vertical portion can include a first semi-circle portion that is at least partially transparent, and a second semi-circle portion that is at least partially reflective. For example, the second semi-circle portion can be configured to absorb a substantial portion of infrared light incident on a surface of the second semi-circle portion. In certain embodiments, the second semi-circle portion includes a surface in thermal communication with a high-emissivity material configured to facilitate radiation of heat away from the second semi-circle portion, such as paint having an emissivity value greater than or equal to about 0.9. In certain embodiments, the vertical portion can be integrated with an internally reflective tube configured to channel light towards an interior space of the building.

Certain embodiments disclosed herein provide a process of illuminating an interior of a building. The process can include receiving daylight on a substantially vertical surface, turning the daylight towards an opening in a building using a prismatic element disposed within a light-collecting device, and transmitting or radiating a portion of infrared light of the daylight out of the light-collecting device.

The process can include radiating the portion of infrared light out of the light-collecting device at least partially by absorbing the portion of infrared light and reradiating the portion of infrared light using material having high emissivity characteristics. In some embodiments, an infrared control element comprises a material that strongly absorbs infrared light in substantial thermal communication with a material having high emissivity characteristics. The high emissivity material can radiate the infrared light away from the daylighting system. In other embodiments, the light-collecting device is configured to transmit infrared light such that it is permitted to escape the light collection system.

Certain embodiments provide a process of manufacturing an at least partially transparent light-collecting device for directing daylight into a building interior. The process can include providing a light collecting device configured to receive daylight on a substantially vertical surface when installed on a building having an opening, disposing a prismatic element within the light collecting device, and disposing an infrared control element adjacent to a wall of the light collecting device. The prismatic element can be configured to turn at least a portion of daylight received on the substantially vertical surface towards the opening. The infrared control element can be configured to transmit or absorb infrared light of the portion of daylight.

Certain embodiments disclosed herein provide an at least partially transparent light-collecting device configured to direct daylight through a collector base aperture and into an interior of a building when the light-collecting device can be installed on a roof of the building. The light-collecting device can include a top cover portion and a substantially vertical sidewall portion configured to support the top cover portion above an upper end of the substantially vertical sidewall portion and to define a collector base aperture at a

lower end of the substantially vertical sidewall portion, wherein the substantially vertical portion has a height that extends between the top cover portion and the collector base aperture, and wherein the substantially vertical portion can be configured to receive a substantial amount of daylight during midday hours. The light-collecting device can include a prismatic element associated with the substantially vertical sidewall portion and configured to turn at least a portion of daylight received by the vertical portion towards the collector base aperture and a reflector associated with the substantially vertical sidewall portion configured to reflect at least a portion of visible light of the portion of daylight towards the opening and absorb or transmit at least a portion of infrared (IR) light of the portion of daylight. In certain embodiments, the light-collecting device is configured to be positioned over an opening in a roof of a building and can be configured to direct daylight into the opening in the roof when the light-collecting device can be installed as part of a daylighting device installation.

The reflector can be configured to absorb the at least a portion of infrared light and reradiate the portion of infrared light away from an interior of the light-collecting device. The reflector can include a material having high emissivity characteristics, such as a material having an emissivity value of greater than 0.90. The sidewall portion can be configured to absorb the reradiated portion of infrared light. The sidewall portion can be configured to transmit the reradiated portion of infrared light. For example, the sidewall portion can include acrylic.

In certain embodiments, the reflector is at least partially secured to the sidewall portion by an adhesive configured to absorb infrared light incident on a surface of the reflector. The height of the vertical portion can be greater than the width of the collector base aperture. The vertical portion can include a plurality of vertically-arranged segments, including a top segment, a middle segment, and a bottom segment. For example, the top, middle, and bottom segments can be each approximately 5 to 10 inches in height. In certain embodiments, the top, middle, and bottom segments can be each a uniform height. The reflector can be associated with the top segment and the middle segment. In some embodiments, the reflector is not associated with and/or does not extend to all of the segments. The reflector can be at least partially transparent with respect to infrared light and/or other wavelengths of radiation that do not contribute to desired illumination of a building.

The vertical portion can be substantially cylindrically shaped or another suitable shape. Furthermore, the reflector can be curved and nestingly disposed along an interior surface of the vertical portion. In certain embodiments, the vertical portion includes a first semi-circle portion that can be at least partially transparent, and a second semi-circle portion that can be at least partially reflective. For example, the second semi-circle portion can be configured to absorb a substantial portion of infrared light incident on a surface of the second semi-circle portion. The second semi-circle portion can include a surface in thermal communication with a high-emissivity material configured to facilitate radiation of heat away from the second semi-circle portion, such as material including paint with an emissivity value greater than or equal to about 0.9. In certain embodiments, the vertical portion is integrated with an internally reflective tube configured to channel light towards an interior space of the building.

Certain embodiments disclosed herein provide a process of illuminating an interior of a building. The process can include receiving daylight on a substantially vertical surface,

5

turning the daylight towards an opening in a building using a prismatic element disposed within a light-collecting device, reflecting a portion of visible light of the daylight towards the opening using a reflector, and transmitting or radiating a portion of infrared light of the daylight out of the light-collecting device. The process can include radiating the portion of infrared light out of the light-collecting device at least partially by absorbing the portion of infrared light with an adhesive material and reradiating the portion of infrared light using the adhesive material, such as by using material having high emissivity characteristics.

Certain embodiments provide a process of manufacturing an at least partially transparent light-collecting device for directing daylight into a building interior. The process can include providing a light collecting device configured to receive daylight on a substantially vertical surface when installed on a building having an opening, disposing a prismatic element within the light collecting device, and disposing a reflector adjacent to a wall of the light collecting device. The prismatic element can be configured to turn at least a portion of daylight received on the substantially vertical surface towards the opening. In addition, the reflector can be configured to reflect visible light of the portion of daylight towards the opening, and transmit or absorb infrared light of the portion of daylight.

Certain embodiments disclosed herein provide an at least partially transparent light-collecting device configured to direct daylight through a collector base aperture and into an interior of a building when the light-collecting device can be installed on a roof of the building. The device can include a top cover portion and a substantially vertical sidewall portion configured to support the top cover portion above an upper end of the substantially vertical sidewall portion and to define a collector base aperture at a lower end of the substantially vertical sidewall portion, wherein the substantially vertical portion has a height that extends between the top cover portion and the collector base aperture, and wherein the height of the substantially vertical portion can be greater than a width of the collector base aperture. The device can include a prismatic element configured to turn a portion of light that passes through the top cover portion or substantially vertical sidewall portion. The light-collecting device can be configured to be positioned over an opening in a roof of a building and can be configured to direct daylight into the opening in the roof when the light-collecting device is installed as part of a daylighting device installation.

The device can include a reflector associated with the substantially vertical portion configured to reflect the portion of daylight towards the opening. The collector base aperture can be substantially circular in shape, and the width can be equal to a diameter of the collector base aperture. In certain embodiments, an aspect ratio of the height of the vertical portion to the width of the collector base aperture is greater than 0.5 to 1. For example, the aspect ratio can be greater than 0.75 to 1, 1.2 to 1, 1.5 to 1, 1.7 to 1, 2 to 1, or greater. In certain embodiments, the aspect ratio is in the range of 1.2-1.5 to 1, 1.5-1.75 to 1, 1.75-2.0 to 1, or 0.5-2.75.

The top cover portion can be substantially flat, or can be at least partially dome, or cone-shaped. The vertical portion can include a plurality of vertically-arranged segments, including a top segment, a middle segment, and a bottom segment. In some embodiments, the top segment is associated with first optical elements having first light-turning characteristics and the middle portion is associated with second optical elements having second light-turning characteristics. In some embodiments, light transmitting through

6

the bottom segment is not refracted by light-turning optical elements. In certain embodiments, each of the top, middle, and bottom segments has a height that is greater than or equal to about 5 inches and/or less than or equal to about 10 inches. The top, middle, and bottom segments can each be greater than 10 inches in height. For example, the top, middle, and bottom segments can be each approximately 10 to 18 inches in height. In certain embodiments, the top, middle, and bottom segments are each of uniform height.

In certain embodiments, the vertical portion is substantially cylindrically shaped. The vertical portion can be integrated with an internally reflective tube configured to channel light towards an interior space of the building. The height of the vertical portion can be between 18 and 35 inches, or between 35 and 45 inches. In certain embodiments, the width of the collector base aperture is between 8 and 16 inches, or between 16 and 20 inches, or between 20 and 32 inches. In certain embodiments, the width of the collector base aperture can be configured to be positioned between joists in a roof. In this manner the light-collecting device can be installed without removing portions of the joist.

Certain embodiments disclosed herein provide an at least partially transparent light-collecting device for directing daylight into a building interior. The light-collecting device can include a top cover portion, a base aperture having a width and configured to be disposed adjacent to an opening of a building, and a substantially vertical portion having a height, the vertical portion extending between the top portion and the base aperture and configured to receive daylight when installed on a building. The light-collecting device can include a reflector associated with the vertical portion, the reflector configured to reflect at least a portion of daylight received by the vertical portion towards the opening. The vertical portion can be associated with a prismatic element configured to turn the portion of daylight received by the vertical portion towards the opening. Furthermore, the height of the vertical portion can be greater than the width of the opening of the building.

The vertical portion can have a rectangular cross-sectional shape, a substantially elliptical cross-sectional shape, or any other desired cross-sectional shape. The vertical portion can be constructed out of a single planar sheet formed in the shape of an ellipse, wherein two ends of the sheet can be joined to form a singular vertical seam. Alternatively, the vertical portion can include a plurality of horizontally-arranged curved sheets that can be configured to be joined together to form an ellipse. In certain embodiments, the vertical portion has a substantially triangular cross-sectional shape.

Certain embodiments disclosed herein provide a process of illuminating an interior of a building. The process can include receiving daylight on a substantially vertical surface, turning the daylight towards an aperture lying in a substantially horizontal plane using a prismatic element disposed within a light-collecting device, and reflecting the daylight towards the opening using a reflector. The substantially vertical surface may have a height greater than a width of the aperture.

Certain embodiments disclosed herein provide a process of manufacturing an at least partially transparent light-collecting device for directing daylight into a building interior. The process can include providing a light collecting device configured to receive daylight on a substantially vertical surface when installed on a building having an opening and disposing a reflector adjacent to a wall of the light collecting device. The reflector can be configured to

reflect the portion of daylight towards the opening through a base aperture of the light collecting device, the substantially vertical surface having a height that can be greater than a width of the base aperture.

Certain embodiments disclosed herein provide a passive light-collecting device for directing sunlight into a building interior. The light-collecting device can include a top cover portion, a base aperture having a width and configured to be disposed adjacent to an opening of a building, and a substantially vertical portion having a height that extends between the top portion and the base aperture and can be configured to receive sunlight. The light-collecting device can be configured to direct a first luminous flux through the base aperture when the light-collecting device is exposed to sunlight at a solar altitude of approximately 30 degrees, and to direct a second luminous flux through the base aperture when the light-collecting device is exposed to sunlight at a solar altitude of approximately 70 degrees, wherein the first luminous flux is greater than or equal to about 75% of the second luminous flux when the light-collecting device is exposed to substantially only direct sunlight on a clear day.

The light-collecting device can include a prismatic element associated with the vertical portion and configured to turn at least a portion of sunlight received by the vertical portion towards the base aperture. The light-collecting device can include a reflector associated with the vertical portion configured to reflect the portion of sunlight towards the base aperture. In certain embodiments, the height of the vertical portion can be greater than the width of the base aperture.

In certain embodiments, the top cover portion is substantially flat. The top cover portion can include a dome-shaped surface, a cone-shaped surface, a planar surface, a faceted surface, another surface shape, or a combination of surface shapes. The top cover can be associated with a second prismatic element configured to turn sunlight incident on the top cover towards the base aperture. The second luminous flux can be greater than 18,000 lumens.

In certain embodiments, the vertical portion is substantially cylindrically shaped. The vertical portion can include a plurality of vertically-arranged segments, including a top segment, a middle segment, and a bottom segment. For example, the top segment can be associated with a first prismatic element having first light-turning characteristics and the middle portion can be associated with a second prismatic element having second light-turning characteristics. The bottom segment may not be associated with light-turning optical elements. The top, middle, and bottom segments can be each approximately 5 to 10 inches in height, and may each be of uniform height.

The vertical portion can be integrated with an internally reflective tube configured to channel light towards an interior space of the building. The height of the vertical portion can be between 20 and 25 inches, or between 35 and 45 inches. In certain embodiments, the reflector is disposed adjacent to an interior surface of the substantially vertical portion. Alternatively, the reflector can be disposed adjacent to an outer surface of the substantially vertical portion.

Certain embodiments disclosed herein provide a passive light-collecting device for directing sunlight into a building interior. The light-collecting device can include a top cover portion, a base aperture having a width and configured to be disposed adjacent to an opening of a building, and a substantially vertical portion having a height that extends between the top portion and the base aperture and can be configured to receive sunlight. The light-collecting device can be configured to direct a first luminous flux through the

base aperture when the light-collecting device is exposed to sunlight at a solar azimuth of approximately 45 degrees and a first solar altitude, and direct a second luminous flux through the base aperture when the light-collecting device can be exposed to sunlight at a solar azimuth of approximately 0 degrees, wherein the first luminous flux can be greater than or equal to about 75% of the second luminous flux when the light-collecting device can be exposed to substantially only direct sunlight on a clear day.

The light-collecting device can include a prismatic element associated with the vertical portion and configured to turn at least a portion of sunlight received by the vertical portion towards the base aperture. The light-collecting device can include a reflector associated with the vertical portion configured to reflect the portion of sunlight towards the base aperture. In certain embodiments, the second luminous flux can be greater than 18,000 lumens.

Certain embodiments disclosed herein provide an at least partially transparent light-collecting device for directing sunlight into a building interior. The light-collecting device can include a top cover portion, a base aperture having a width and configured to be disposed adjacent to an opening of a building, and a substantially vertical portion having a height that extends between the top portion and the base aperture and can be configured to receive sunlight. The light-collecting device can be configured to direct a first luminous flux through the base aperture when the light-collecting device can be exposed to sunlight at a solar altitude of approximately 30 degrees and a solar azimuth of approximately 45 degrees, and direct a second amount of light through the base aperture when exposed to sunlight at a solar altitude of approximately 70 degrees and a solar azimuth of approximately 0 degrees, wherein the first luminous flux can be greater than or equal to about 75% of the second luminous flux when the light-collecting device can be exposed to substantially only direct sunlight on a clear day.

The light-collecting device can include a prismatic element configured to turn at least a first portion of sunlight received by the vertical portion towards the base aperture. The light-collecting device can include a reflector associated with the vertical portion, the reflector configured to reflect at least a second portion of the sunlight received by the vertical portion towards the base aperture.

In certain embodiments, the top cover can be associated with a second prismatic element configured to turn sunlight incident on the top cover towards the base aperture, and can be substantially flat. The vertical portion may have a substantially rectangular, elliptical, triangular, hexagonal, pentagonal, or octagonal cross-sectional shape.

Some embodiments provide an at least partially transparent light-collecting device for directing daylight into a collector base aperture. The device can include a top cover portion and a sidewall portion. The top cover portion positioned above an upper end of the sidewall portion and the collector base aperture is at a lower end of the sidewall portion. A prismatic element can be associated with the top portion. The prismatic element can have a planar surface and a prismatic surface. The planar surface can be positioned to face outward from the top portion toward the direction of incoming light providing a first refraction of daylight and the prismatic surface can be positioned opposite the planar surface to provide a second refraction of daylight toward the collector base aperture. In certain embodiments, the light-collecting device can include a prismatic element associated with the sidewall portion and configured to turn at least a portion of daylight received by

the towards the collector base aperture. The prismatic element can have a planar surface and a prismatic surface. The prismatic surface can be positioned towards the direction of incoming light and the planar surface is opposite the prismatic surface. The light collecting device can include a reflector associated with the sidewall portion configured to reflect the portion of daylight towards the opening. In certain embodiments, the collector base aperture has a width and is configured to be positioned adjacent to an opening of a building when the light-collecting device is installed as part of a tubular daylighting device installation. In some embodiments the top cover portion may be angled, such as, for example, 20° from horizontal.

Certain embodiments disclosed herein provide a process of illuminating an interior of a building. The process can include receiving first sunlight having a solar altitude of approximately 30 degrees on a vertical surface, directing the first sunlight into an opening in a building, receiving second sunlight having a solar altitude of approximately 70 degrees on the vertical surface, and directing the second sunlight into the opening in the building. The first sunlight and the second sunlight can include direct sunlight, and the first sunlight can include a luminous flux that is greater than or equal to about 75% of a luminous flux of the second sunlight when said receiving the first sunlight and receiving the second sunlight are performed on a clear day.

An innovative aspect of the subject matter disclosed herein is implemented in a skylight comprising a skylight cover, a prismatic element and an element positioning assembly. The prismatic element is configured to refract at least a portion of light that passes through the skylight cover. The prismatic element comprises a non-prismatic surface and a prismatic surface, the prismatic surface being opposite the non-prismatic surface. The non-prismatic surface is positioned between the prismatic surface and the skylight cover. The prismatic surface comprises at least one prism having a riser surface and a draft surface. A riser angle of the riser surface has a value between about 35 degrees and about 43 degrees or between about 47 degrees and about 85 degrees with respect to a surface normal to the non-prismatic surface. The element positioning assembly is configured to position the skylight cover over an opening in a roof of a building. The element positioning assembly is further configured to dispose the prismatic element relative to the plane of the roof such that an angle formed at an intersection of a second plane including the prismatic element and the plane of the roof is between 0 and about 40 degrees. The element positioning assembly is further configured to orient the prismatic element such that the riser surface faces the sun and directs daylight into the opening in the roof.

In various embodiments of the skylight, the draft surface can be inclined by a draft angle that is different from the riser angle. In various embodiments, the riser angle can be between about 45 degrees and about 55 degrees. The prismatic element can comprise a prismatic film having at least one surface positioned parallel to the skylight cover. The prismatic element can comprise a plurality of prismatic grooves. At least a portion of the prismatic grooves can be formed in at least one of a radial pattern, a linear pattern, or a curve-linear pattern. The prismatic element can be positioned up to 40 degrees from horizontal. For example the prismatic element can be positioned up to 40 degree with respect to a plane parallel to the ground.

In various embodiments of the skylight, the skylight cover can be angled relative to a plane of the roof. The skylight cover can have a pole side and an equatorial side. The equatorial side can be positioned closer to the equator and

the pole side can be positioned opposite the equatorial side. The pole side of the skylight cover can be offset from the roof, and the equatorial side of the skylight cover can be positioned closer to the roof than the pole side of the skylight cover. In various embodiments, the skylight cover can be clear. The skylight cover can be substantially flat, angled, or at least partially dome-shaped. The prismatic element can be integrally formed with the skylight cover.

Another innovative aspect of the subject matter disclosed herein is implemented in a skylight assembly comprising a skylight cover, a prismatic element and an element positioning assembly. The prismatic element is configured to refract at least a portion of light that passes through the skylight cover. The prismatic element comprises a non-prismatic surface and a prismatic surface, the prismatic surface being opposite the non-prismatic surface. The non-prismatic surface is positioned between the prismatic surface and the skylight cover. The element positioning assembly configured to position the skylight assembly over an opening in a roof of a building. The element positioning assembly can be configured to dispose the prismatic element relative to the plane of the roof such that an angle formed at an intersection of a second plane containing the prismatic element and the plane of the roof is between 0 and about 40 degrees. The element positioning assembly can be further configured to orient the prismatic element so that the riser surface faces the sun and directs daylight into the opening in the roof.

In various embodiments of the skylight assembly, the positioning assembly can include at least one of: an adhesive that bonds the prismatic element to the skylight cover; a frame that holds the prismatic element within 6 inches of the skylight cover; a spacer configured to be positioned between the prismatic element and the skylight cover; a tab or slot for attachment to the prismatic element; or an adhesive that bonds the prismatic element to a portion of the skylight assembly near the skylight cover. In various embodiments of the skylight, angling the prismatic element can form a raised side of the prismatic element along at least one edge of the prismatic element. The raised side can be a side other than the side of the prismatic element closest to the equator. The prismatic element can be aligned with the angle of the skylight cover. The position the prismatic element can be less than or equal to six inches from the plane of the roof.

Another innovative aspect of the subject matter disclosed herein is implemented in a method of installation of a skylight assembly. The method comprises providing a skylight assembly and positioning the skylight assembly over an opening in a roof of a building. The skylight assembly comprises a skylight cover; and a prismatic element configured to refract at least a portion of light that passes through the skylight cover. The prismatic element comprises a planar surface and a prismatic surface, the prismatic surface being opposite the planar surface. The planar surface is positioned between the prismatic surface and the skylight cover. The prismatic surface comprises at least one prism having a riser surface and a draft surface. The method further comprises orienting the skylight so that the riser surface faces the sun and directs daylight into the opening in the roof when the skylight is installed as part of a skylight installation.

Various embodiments of the method can further comprise positioning the prismatic element so that no portion of the prismatic element is above six inches of the plane of the roof. The method can further comprise angling the prismatic element up to 40 degrees relative to the plane of the roof. The method can further comprise securing the prismatic element within the skylight assembly. In various embodiments of the method, securing the prismatic element can

11

further comprise at least one of: bonding the prismatic element to the skylight cover using an adhesive; attaching the prismatic element to a frame that holds the prismatic element within 6 inches of the skylight cover; positioning a spacer between the prismatic element and the skylight cover; attaching the prismatic element a tab or slot within the skylight assembly; or bonding the prismatic element to a portion of the skylight assembly near the skylight cover using an adhesive.

Another innovative aspect of the subject matter disclosed herein is implemented in a skylight assembly comprising a skylight cover, a prismatic element, and an element positioning assembly. The prismatic element is configured to refract at least a portion of light that passes through the skylight cover. The prismatic element comprises a non-prismatic surface and a prismatic surface, the prismatic surface being opposite the non-prismatic surface. The non-prismatic surface is positioned between the prismatic surface and the skylight cover. The element positioning assembly is configured to position the skylight assembly over an opening in a roof of a building. The element positioning assembly is further configured to position the prismatic element so that no portion of the prismatic element is above six inches of the plane of the roof, and orient the prismatic element so that the riser surface faces the sun and directs daylight into the opening in the roof. In various embodiments of the skylight, the prismatic element can be positioned below the plane of the roof.

BRIEF DESCRIPTION OF THE DRAWINGS

Various embodiments are depicted in the accompanying drawings for illustrative purposes, and should in no way be interpreted as limiting the scope of the inventions. In addition, various features of different disclosed embodiments can be combined to form additional embodiments, which are part of this disclosure. Any feature or structure can be removed or omitted. Throughout the drawings, reference numbers can be reused to indicate correspondence between reference elements.

FIG. 1 illustrates a block diagram representing an embodiment of a daylighting device.

FIG. 2 illustrates a cutaway view of an example of a daylighting device installed in a building for illuminating an interior room of the building.

FIG. 3 illustrates a cutaway view of an example of a daylighting device installed in a building for illuminating an interior room of the building.

FIG. 4 illustrates a cutaway view of an example of a daylighting device installed in a building.

FIG. 5 illustrates an embodiment of a daylighting device incorporating a collimator at a terminal portion of the daylighting device.

FIG. 6 illustrates an embodiment of the light collector shown in FIG. 1.

FIG. 7 illustrates an embodiment of a daylighting device including a light collector with a dome-shaped top portion.

FIG. 8 illustrates an embodiment of a daylighting device with a top portion having a triangular cross-section.

FIGS. 9A-9F illustrate embodiments of light collectors having various cross-sectional shapes.

FIGS. 10A-10D illustrate embodiments of a cross-sectional view of a light collector including both a side portion, and a top portion.

FIGS. 10E and 10F illustrate embodiment of a daylighting system with a skylight cover that can be disposed near a roof of a building for improved illumination.

12

FIG. 10G illustrates an embodiment of light propagation through a daylighting device comprising a prismatic element and a daylighting device without a prismatic element.

FIG. 11A illustrates a cross-sectional view of a portion of the prismatic element shown in FIG. 10A.

FIG. 11B illustrates a cross-sectional view of a portion of the prismatic element shown in FIG. 10A.

FIG. 12 illustrates a cross-sectional view of a light collector including a side portion that includes a plurality of vertically arranged optical zones.

FIGS. 13A-13C illustrate embodiments of various prismatic patterns.

FIG. 14A illustrates a perspective view of an embodiment of a light reflector for disposing within, adjacent to, or in integration with, a light collecting assembly.

FIG. 14B illustrates a top view of an embodiment of the reflector shown in FIG. 14A.

FIG. 14C illustrates a cross-sectional view of a vertically-oriented planar reflector.

FIG. 15 illustrates a perspective view of an embodiment of daylighting device including a light collector incorporating a reflector.

FIG. 16 illustrates a perspective view of an embodiment of daylighting device including a light collector incorporating a reflector.

FIG. 17A illustrates an embodiment of a light collector having a transparent portion and a reflector assembly.

FIG. 17B illustrates a top view of an embodiment of a connecting structure of a light collector.

FIG. 18 illustrates an embodiment of a light collector having a reflector assembly with a high-emissivity coating.

FIG. 19 illustrates an embodiment of a daylighting device including a light collector having prismatic and reflective optical elements.

FIG. 20 illustrates a perspective view of an embodiment of a light collector.

FIG. 21A illustrates an embodiment of a light collector formed from a singular panel.

FIG. 21B illustrates a top view of an embodiment of a portion of a light collector having a circumference that includes multiple curved panels.

FIG. 22 illustrates a packaging configuration for an embodiment of one or more curved light collector panels.

FIG. 23 illustrates a packaging configuration for an embodiment of one or more curved light collector panels.

FIG. 24 is a graph showing reflectivity profiles of two different reflective materials.

FIG. 25 illustrates relative performance of various embodiments of light collectors.

DETAILED DESCRIPTION OF CERTAIN EMBODIMENTS

Although certain embodiments and examples are disclosed herein, inventive subject matter extends beyond the examples in the specifically disclosed embodiments to other alternative embodiments and/or uses, and to modifications and equivalents thereof. Thus, the scope of the claims appended hereto is not limited by any of the particular embodiments described below. For example, in any method or process disclosed herein, the acts or operations of the method or process can be performed in any suitable sequence and are not necessarily limited to any particular disclosed sequence. Various operations can be described as multiple discrete operations in a manner or order that can be helpful in understanding certain embodiments; however, the order of description should not be construed to imply that

these operations are order-dependent. Additionally, the structures, systems, and/or devices described herein can be embodied as integrated components or as separate components. For purposes of comparing various embodiments, certain aspects and advantages of these embodiments are described. Not necessarily all such aspects or advantages are achieved by any particular embodiment. Thus, for example, various embodiments can be carried out in a manner that achieves or optimizes one advantage or group of advantages as taught herein without necessarily achieving other aspects or advantages as can be taught or suggested herein.

FIG. 1 depicts a block diagram representing an embodiment of a daylighting device **100**. The daylighting device **100** can be a passive light-collection and distribution system for providing daylight to an interior of a building or other structure. The daylighting device **100** includes a light collector **110** which is exposed, either directly or indirectly to a source of light, such as, for example, the Sun. Light enters the light collector and propagates into a tube **120**. For example, the light may enter the light collector **110** through a sidewall portion and/or a top cover portion of the light collector. The sidewall portion can be a substantially vertical daylight-collection surface. The tube **120** provides a channel, or pathway, between the light collector **110** and a light-aligning structure **130**. The interior surface of the tube **120** is at least partially reflective. In some embodiments, at least a portion of the interior surface of the tube **120** is specularly reflective or is at least partially specular.

As used herein, the terms “substantially vertical” and “vertical” are used in their broad and ordinary sense and include, for example, surfaces that are generally perpendicular to the ground, surfaces that are generally perpendicular to a horizontal plane, and/or surfaces that deviate by less than about 10° from a plane perpendicular to the ground and/or a horizontal plane. Such surfaces can be planar, curved, or irregularly shaped while still being substantially vertical so long as an elongate dimension of a surface is generally vertical. The terms “substantially horizontal” and “horizontal” are used in their broad and ordinary sense and include, for example, surfaces that are generally parallel to the ground, surfaces that are generally parallel to the roof of a building, and/or surfaces that deviate by less than or equal to about 10° from a plane parallel to the ground and/or a roof. Such surfaces can be planar, curved, or irregularly shaped while still being substantially horizontal so long as an elongate dimension of a surface is generally horizontal.

The light collector permits exterior light, such as natural light, to enter the interior of the reflective tube **120**. The light collector **110** can have one or more components. For example, the light collector **110** can include a transparent dome, a prismatic dome, other prismatic elements, one or more light turning structures or elements, a durable cover, one or more reflective surfaces (e.g., positioned inside or outside of a portion of the collector **110**), other optical elements, other components, or a combination of components. At least some components of the light collector can be configured to be positioned on the roof **102** of the building or in another suitable area outside the building. The light collector **110** can include a transparent cover installed on the roof **102** of the building or in another suitable location. The transparent cover can be cylindrically shaped, dome-shaped, or can include any other suitable shape or combination of shapes, and can be configured to capture sunlight during certain periods of the day. In certain embodiments, the cover keeps environmental moisture and other material from entering the tube. The cover can allow exterior light, such as daylight, to enter the system.

In the example embodiments disclosed, the measure h_c represents a height of a substantially vertical sidewall portion of the light collector **110**. In certain embodiments, the sidewall portion presents a substantially vertical daylight-collection surface through which daylight may enter the daylighting device **100**. The measure w_c represents a width of a portion of the collector, such as the width of the base or top portions of the collector **110**. In certain embodiments, the width of the collector is substantially uniform over its height h_c . The width w_c of the collector at its base can be greater than the width of the tube **120** at a point near the collector base. In some embodiments, a daylight device is configured such that a width of the tube into which daylight is directed, at least in a region disposed in proximity to the collector base, is less than the height h_c of the collector. The width of the tube w_t may represent a width of a target area to which the light collector **110** is configured to direct daylight entering the collector. The term “target area” is used herein according to its broad and ordinary meaning and can be used to refer to an area through which a daylight collector is configured to direct daylight in order for the daylight to enter an internally-reflective tube between a roof structure and interior room of a building.

The relationship between the height of the collector and the width of the tube or width of the target area of the collector can be characterized using a ratio between the quantities that will be referred to herein as the aspect ratio. In general, the aspect ratio refers to the ratio between the height of the collector and the width of the tube with which the collector is configured to be used. For example, in some embodiments, the height h_c of the collector, as compared to the width w_t of the tube/target area **120**, or width w_c of the collector **110**, can have an aspect ratio of approximately 0.5 to 1, 0.75 to 1, 0.8 to 1, 0.9 to 1, 1 to 1, 1.2 to 1, greater than or equal to any of the foregoing aspect ratios, less than or equal to 2.75 to 1, or within a range bounded by any two of the foregoing aspect ratios. In certain embodiments, the aspect ratio is in the range of 1.2-1.5 to 1, 1.0-1.75 to 1, 0.75-2.0 to 1, or 0.5-2.75. The term “collector” is used herein according to its broad and ordinary meaning and includes, for example, a cover, window, or other component or collection of components, configured to direct daylight into an opening of a building. A collector can include optical elements that refract and/or reflect daylight such that the luminous flux of natural light entering a building is greater than if an opening in the building included a fenestration apparatus without optical elements.

In some embodiments, the cover includes a light collection system configured to enhance or increase the daylight entering the tube **120**. The collector **110** can include one or more optical elements, either integrated or non-integrated with respect to the cover, configured to turn light entering one or more portions of the collector **110** generally in the direction of the tube **120**, or opening in the building. The light collector **110** can include a top cover. For example, the top cover can be clear and/or include prisms for refracting daylight toward the collector base aperture. The prisms can be fabricated into the cover material or can be formed in a separate prismatic element placed beneath or above a clear dome. As used herein, prismatic element is used in its broad and ordinary sense and includes, for example, prismatic films, molded prismatic assemblies, extruded prismatic materials, another prismatic material, or a combination of materials.

The daylighting device **100** can be configured such that light enters the collector **110** and proceeds through the tube **120**, which can be internally reflective, thereby allowing

light to propagate through the tube to a targeted area of the building. An auxiliary lighting system (not shown) can be installed in the daylighting device **100** to provide light from the tube to the targeted area when daylight is not available in sufficient quantity to provide a desired level of interior lighting.

The collimator **130** can be configured such that light that would otherwise enter the diffuser at undesirable angles is turned to a more desirable angle. For example, the collimator **130** can ensure that light passing through the daylighting device will exit the daylighting device at an exit angle of less than or equal to about 45 degrees from vertical, or at a substantially vertical orientation, when the diffuser **140** is in a horizontal arrangement. In some embodiments, the collimator **130** may ensure that light passing through the daylighting device will exit the daylighting device at an exit angle of less than or equal to about 45 degrees from a longitudinal axis of the daylighting device or a portion of the daylighting device. In certain embodiments, the collimator **130** is configured to reduce or prevent light from exiting the daylighting device **100** at an angle of between about 45 degrees and about 60 degrees from vertical. In this manner, the collimator **130** may reduce or eliminate glare and visibility issues that light exiting a lighting fixture between those angles can cause.

The daylighting device **100** includes a light-diffusing structure, or diffuser **140**. The diffuser **140** spreads light from the tube into the room or area in which it is situated. The diffuser **140** can be configured to distribute or disperse the light generally throughout a room or area inside the building. Various diffuser designs are possible.

When the daylighting device **100** is installed, the tube **120** can be physically connected to, or disposed in proximity to, the light-aligning structure, or collimator **130**, which is configured to turn light propagating through the daylighting device such that, when light exits the daylighting device **100** and/or enters a diffuser **140**, the light has increased alignment characteristics, as compared to a device without a collimator. In some embodiments, a substantial portion of light propagating through the daylighting device **100** may propagate within the daylighting device at relatively low angles of elevation from a horizontal plane of reference. Such angles of propagation may, in some situations, cause the light to have undesirable properties when it exits the daylighting device. For example, the optical efficiency of a diffuser substantially positioned within a horizontal plane can be substantially reduced when light is incident on the diffuser at low angles of elevation from the horizontal plane. As another example, light that is incident on a diffuser at low angles of elevation can result in light exiting the daylighting device at an exit angle of greater than or equal to about 45 degrees from vertical. Light exiting a daylighting device at such angles can create glare and visibility issues in the area or room being illuminated.

Though the embodiment depicted in FIG. **1** is described with reference to one or more features or components, any of the described features or components can be omitted in certain embodiments. Furthermore, additional features or components not described can be included in certain embodiments in accordance with the device shown in FIG. **1**.

FIG. **2** shows a cutaway view of an example of a daylighting device **200** installed in a building **205** for illuminating, with natural light, an interior room **207** of the building. The daylighting device **200** can be suited for use in commercial, high-bay applications, such as in structures or buildings having ceilings above twenty feet high. For

example the distance h_o between the floor **208** and a ceiling plane **209** can be in the range of approximately 20-28 feet. The daylighting device **200** can be configured to improve the performance of a light collection system through the use of a light collector **210**, wherein the light collector **210** incorporates, or is associated with, one or more passive optical elements. The daylighting device **200** can be particularly configured for applications that operate within an approximately six-hour window during which daylight is most intense. For example, depending on geographical location of the building **202**, among possibly other things, the daylighting device **200** can be configured to capture desirable amounts of daylight between the hours of 9:00 am and 3:00 pm.

The light collector **210** can be mounted on a roof **202** of the building and may facilitate the transmission of natural light into a tube **220**. In certain embodiments, the collector **210** is disposed on a pitched roof. In order to compensate for the pitch in the roof, the collector **210** can be mounted to the roof **202** using a flashing **204**. The flashing can include a flange **204a** that is attached to the roof **202**, and a curb **204b** that rises upwardly from the flange **204a** and is angled as appropriate for the cant of the roof **202** to engage and hold the collector **210** in a generally vertically upright orientation. Other orientations are also possible. In certain embodiments, at least a portion of the roof **202** is substantially flat.

The light collector **210** has a height h_c and is disposed adjacent to a tube opening having a width, or diameter, w_t . The tube opening may provide a target area into which the light collector **210** is configured to direct daylight. As used herein, the height h_c may refer to the height of a substantially vertical sidewall portion of the collector **210**, or may refer to the height of the collector **210** including the height of a cover portion disposed above the vertical portion. In certain embodiments, the substantially vertical sidewall portion may provide a vertical daylight-collection surface for daylight incident on certain portions of the collector **210**. In certain embodiments, the height h_c is approximately 20-26 inches. In other embodiments, the height h_c can be approximately 35-45 inches. In addition, the width w_t of the tube opening can be between 15-30 inches. For example, in an embodiment, the height h_c of the collector **210** is approximately 42 inches and the width w_t of the tube opening is approximately 25 inches. The collector **210** may have a width w_c slightly greater than the width w_t of the tube opening such that when the light collector is disposed above the tube opening, a lip of the collector **210** extends beyond the width of the tube opening. For example, the collector **210** may have a 1-inch lip around a circumference or perimeter of the tube opening, such that the width w_c of the collector **210** is approximately 2 inches greater than the width of the tube opening W_t . The height h_c of the collector **210** and the width w_t of the tube opening can be configured to obtain a desirable aspect ratio that provides satisfactory performance characteristics. In certain embodiments, the aspect ratio of height h_c to width w_t is approximately 1.7:1. In some embodiments, the aspect ratio is greater than or equal to about 0.5:1 and/or less than or equal to about 2.75:1. Such aspect ratios, in connection with daylighting device features described herein, may provide improved daylight capturing characteristics.

The tube **220** can be connected to the flashing **204** and can extend from about a level of the roof **202** through a ceiling level **209** of the interior room **207**. The tube **220** can direct light L_{D2} that enters the tube **220** downwardly to a light diffuser **240**, which disperses the light in the room **207**. The interior surface of the tube **220** can be reflective. In some

embodiments, the tube 220 has at least a section with substantially parallel sidewalls (e.g., a generally cylindrical inside surface). Many other tube shapes and configurations are possible. The tube 220 can be made of metal, fiber, plastic, other rigid materials, an alloy, another appropriate material, or a combination of materials. For example, the body of the tube 220 can be constructed from type 1150 alloy aluminum. The shape, position, configuration, and materials of the tube 220 can be selected to increase or maximize the portion of daylight L_{D1} , L_{D2} or other types of light entering the tube 220 that propagates into the room 207.

The tube 220 can terminate at, or be functionally coupled to, a light diffuser 240. The light diffuser 240 can include one or more devices that spread out or scatter light in a suitable manner across a larger area than would result without the diffuser 240 or a similar device. In some embodiments, the diffuser 240 permits most or substantially all visible light traveling down the tube 220 to propagate into the room 207. The diffuser can include one or more lenses, ground glass, holographic diffusers, other diffusive materials, or a combination of materials. The diffuser 240 can be connected to the tube 220, or other component of the daylighting device 200, using any suitable connection technique. In some embodiments, the diffuser 240 is located in the same general plane as a ceiling level 209 of the building, generally parallel to the plane of the ceiling level 209, or near the plane of the ceiling level 209. In certain embodiments, the building 205 has an open ceiling, exposing structure associated with the roof 202. For example, certain high-bay buildings may have open-ceiling configurations, exposing structural I-beams and/or the like. In an open ceiling configuration, the diffuser 240 can be disposed adjacent to a ceiling-level plane 209, rather than a physical ceiling structure.

In certain embodiments, the diameter of the diffuser 240 is substantially equal to the diameter of the tube 220, slightly greater than the diameter of the tube 220, slightly less than the diameter of the tube 220, or substantially greater than the diameter of the tube 220. The diffuser 240 can distribute light incident on it toward a lower surface below the diffuser (e.g., the floor 208) and, in some room configurations, toward an upper surface of the room 207. In some embodiments, a diffuser 240 provides substantial amounts of both direct diffusion and indirect diffusion. In some embodiments, the diffuser 240 reduces the light intensity in one or more regions of the room interior 207.

One or more daylighting devices configured according to the embodiment described with respect to FIG. 2 may increase illumination of a building, or decrease the number of devices required to achieve a desired amount of light infusion into the building. For example, certain embodiments described herein may improve performance and/or reduce the number of required devices by 20-30%.

The daylighting device 200 can be configured to sustain significant physical stress without substantial structural damage. For example, in certain embodiments, the daylighting device 200 is configured to withstand a drop test, wherein a bag of sand having particular weight/size characteristics is dropped onto the top of the device from a minimum height. To pass such test, the device can be required to withstand the fall test without allowing the bag to fall through the opening in the building. In some embodiments, a daylighting system is configured to meet standards and/or regulations promulgated by standards organizations and/or government agencies that are designed to improve the safety of rooftop environments containing daylighting fixtures. For example, certain embodiments are configured to

meet the Federal Occupational Safety and Health Administration (OSHA) regulations, which provide, for example, that skylight screens shall be of such construction and mounting that they are capable of withstanding a load of at least 200 pounds applied perpendicularly to a surface. Daylighting devices can be constructed to meet regulatory standards. In certain embodiments, one or more portions of the flashing 204, and/or collector 210 can be constructed and/or mounted such that the collector 210 is not damaged to the extent that an opening or aperture providing an ingress into the building interior 207 is created therein, when a 267-lb. sand bag, having an approximately 5.5" bull nose, is dropped generally perpendicularly to a plane of the roof and/or to a top surface of the collector 210 from a height of about 36" above the roof onto the center of the top portion of the daylighting collector.

FIG. 3 shows a cutaway view of an example of a daylighting device 300 installed in a building 305 for illuminating, with natural light, an interior room 307 of the building. The daylighting device 300 includes a light collector 310 mounted on a roof structure 302 of the building 305 that allows natural light to enter a tube 320. In the depicted embodiment, the daylighting device 300 includes an insulation structure, or layer, 306 disposed adjacent to, or within, the tube 320. The insulation structure 306 can be configured to reduce a rate of thermal energy transfer between the interior of the daylighting device 300 and the room 307. For example, the insulation structure 306 can be disposed adjacent to a diffuser 340, such as between the diffuser 340 and the interior of the tube 320. The insulation structure 306 can be disposed at any other suitable position, such as near the top of the tube 320, near the level of a ceiling, or near the level of the collector 310. In some embodiments, the insulation structure 306 can be positioned at the same level as an insulation layer found in the building, and can be positioned to provide a substantially contiguous layer of insulation together with the building insulation layer. The daylighting device 300 can also include insulation structures disposed in various positions or locations. The position(s) of the insulation structure(s) 306 can be selected to produce any desired thermal energy transfer characteristics.

In the embodiment depicted in FIG. 3, the diffuser 340 is disposed adjacent to, and in a substantially parallel alignment with, a surface 370 of the roof structure 302. As shown, the tube 320 may extend from the light collector 310 and through at least a portion of the roof structure 302, without extending substantially into the interior room space 307. In certain embodiments, the daylighting device 300 can include a light collector configured to provide light to the interior room 307 without the use of a tube 320. For example, the light collector 310 may extend through the roof structure 302, and connect directly with the diffuser 340.

FIG. 4 shows a cutaway view of an example of a daylighting device 400 installed in a building 405. The daylighting device 400 includes a light collector 410 mounted on a roof 402 of the building 405 that allows natural light to enter a tube 420. In certain building applications, such as high-bay building applications, light provided by a daylighting system can be at least partially blocked or undesirably redirected by one or more obstructions disposed in the vicinity of the system's lower perimeter, or along the path of light between the system and a desired area of illumination. The daylighting device 400 can be configured to extend below one or more possible obstructions, or low enough to reduce the effects of one or more obstructions on lighting performance. In certain embodi-

ments, the effect of obstructions on lighting performance is reduced by incorporating a daylighting device that maintains a substantial portion of its transmitted light within a cone half angle of less than approximately 40-45°. In the depicted embodiment, the tube extends through the roof **402**, and a distance d below a ceiling level **409**. The ceiling level **409** can be a physical ceiling structure, or may represent a ceiling level in an open-ceiling building configuration. The ceiling level can be, for example, at approximately the same level as one or more I-beam structures, or other building structure. In an embodiment including a physical ceiling structure **409**, the daylighting device **400** can include an insulation structure disposed adjacent to the ceiling level **409**.

In certain embodiments, the daylighting device **400** includes a thermal insulation subsystem, or portion **406**, that substantially inhibits thermal communication between the interior **407** of a structure and the outside environment. The thermal insulation subsystem can have any suitable configuration, such as, for example, one of the configurations disclosed in U.S. Patent Application Publication No. 2011/0289869, entitled "Thermally Insulating Fenestration Devices and Methods," the entire contents of which are incorporated by reference and made a part of this specification.

The tubular daylighting device can include a thermal break in any materials or components of the daylight device that have high thermal conductivity. For example, a spacer or gap in the sidewall of the tube can be positioned near a thermal insulating portion and the thermal insulating portion and thermal break can be configured to form a substantially continuous layer between the building interior and the exterior environment. In certain embodiments, the insulating portion and thermal break are disposed in the same plane as other building insulation material, such as fiberglass or the like.

FIG. **5** illustrates an embodiment of a daylighting device **500** incorporating a collimator **530** at a bottom, or terminal portion of the daylighting device **500**. The bottom portion of the daylighting device **500** can include one or more light diffusing or spreading devices **540**, thermal insulation devices, or combination of devices referenced herein. Collimator **530** represents an embodiment of the collimator **130** shown in FIG. **1**. The collimator **530** serves to generally align rays of light propagating through the daylighting device **500** so that light reaches the diffuser **540** at greater angles with respect to the base of the diffuser **540** than it would without a collimator. The collimator **530** can be a multi-segment, or multi-stage, collimator. In some embodiments, the collimator **530** is a single-stage collimator. In certain embodiments, sunlight entering the tube will have a solar altitude (angle from the horizon) that will remain substantially the same as it reflects down the tube when the tube sides are vertical and parallel. Installation of a collimator, such as a flared out reflective tube, at or near the base of a tube **520** with the diffuser attached to the base may substantially reduce the incident angle of light to the diffuser, which may increase the diffuser optical efficiency and other system performance characteristics.

The daylighting device **500** includes a light collector **510** having a height h_c . As used herein, the height h_c may refer to the height of a substantially vertical sidewall portion of the collector **510**. For example, the substantially vertical sidewall portion may provide a vertical daylight-collection surface for daylight incident on certain portions of the collector **510**. The light collector **510** can be disposed about, or adjacent to, the tube **520**, which extends through an opening **529** in a building. The opening **529** has a width w_o ;

the tube **520** has a width w_t . The opening of the tube or the opening **529** of the building may provide a target area into which light can be directed by the light collector **510** or otherwise received into the daylighting system **500**. In certain embodiments, the height h_c of the light collector **510** is greater than the width w_o of the opening **529**, and/or width w_t of the tube/target area. For example, the daylighting installation **500** can include, a light collector **510** configured such that the height of the light collector h_c is approximately 1.2 to 2.5 times greater than the width w_t . That is, the height of the light collector h_c has an aspect ratio of approximately 0.5-2.75, 1.1-2.1, or 1.2:1 to 2.1:1 with respect to the width w_o of the opening **529**. In certain embodiments, the aspect ratio is greater than 2.5:1. In certain embodiments, the width w_t of the tube **520** is approximately 21 inches, and the width w_o of the opening **529** is greater than, or approximately equal to, the width w_t of the tube **520**. In certain embodiments, the light collector **510** has a width w_c of approximately 23 inches, a height h_c of approximately 36 inches, and a collimator **530** terminating in a base having a width of approximately 31 inches.

FIG. **6** illustrates an embodiment of the light collector **110** shown in FIG. **1**. In certain embodiments, the light collector is configured to turn at least a portion of the light L_D striking one of its surfaces such that the light is directed downwardly toward a horizontal aperture of a tube **620**. Various features and characteristics of the light collector **610** affect the light turning properties of the collector. As disclosed in U.S. Pat. No. 7,546,709, the entire contents of which are incorporated by reference and made a part of this specification, a transparent cover including a smooth outside surface in combination with an internal prismatic element may produce desirable light-turning effects. In certain embodiments, such a configuration provides a double refraction of the sunlight incident on an outside surface of the collector **610**. The collector **610** can be configured to have a continuous curved shape with respect to one or more dimensions, or may have a series of curved and/or flat surfaces.

The light collector **610** illustrated in FIG. **6** includes a top surface **612** and one or more side surfaces **614**. The top surface **612** can be substantially flat, as shown, or have a slope substantially near zero. Such a configuration may increase an incident angle of light striking the top portion **612**, which may contribute to higher refraction and/or transmission values. In certain embodiments, both the top surface **612** and one or more side surfaces are associated with light turning characteristics. The sidewall portion **614** of the collector **610** may present a vertical daylight-collection surface through which daylight may enter the daylighting device **600**. As shown, daylight L_{Ds} may enter the collector **610** through sidewall **614** at a solar altitude θ_1 . Light turning characteristics associated with the sidewall **614** may turn light L_{Ds} in a direction towards a target area **618**, such as an opening in the tube **620**, or other building opening. Turning can be achieved through prismatic characteristics of the collector wall or prismatic element or sheet, or other optical element, in association with the sidewall **614**. In certain embodiments, the resultant solar altitude θ_2 of L_{Ds} is greater than that of θ_1 . In certain embodiments, an aspect ratio between the height of the collector **610** and the width or diameter of the relevant target area is optimized to improve performance.

Light turning features of the light collector **610** can include prismatic patterns formed on a surface of the collector **610**. Such a pattern can be, for example, molded into the inside and/or outside surface of the collector **610**. The pattern can be formed by any suitable method, such as by

using a casting, or injection molding technique. In certain embodiments, a prismatic element, or other prismatic structure, is adhered to, connected to, or otherwise associated with the collector **610**. In certain embodiments, the prisms can be established by horizontal grooves that are defined by 5 opposed faces that may have a flat or curved cross-sectional shape. Furthermore, as disclosed further below, grooves can vary in depth and pitch and/or in other respects. Examples of prismatic structures are illustrated in FIGS. **13A-C**. Prisms may circumscribe the entire circumference of the collector **610**, and can be substantially uniform throughout the height or circumference, or perimeter, of a portion of the collector **610**. In certain embodiments, prisms/grooves vary with respect to one or more parameters at different heights or points along the circumference of the collector **610**. For example, prisms can include faces of varying angles, shapes, and/or widths, depending on height and/or position. In certain embodiments, portions of the collector **610** are not associated with prismatic structure.

The top portion **612** of the collector **610** can be associated with light turning characteristics. For example, as shown, light L_{DT} entering the collector **610** through top portion **612** can be turned in a direction towards the tube opening **618**, or opening in a building, such that a resulting solar altitude of the light L_{DT} has a solar altitude of θ_3 . In certain embodiments including optical turning elements associated with both a top portion **612** and a sidewall portion **614**, the resultant solar altitude θ_3 of the top portion **612** is greater than the resultant solar altitude θ_2 of the sidewall portion **614**. That is, light L_{DT} striking the top portion **612** can be turned to a greater degree that light L_{DS} striking the side portion **614**. In certain embodiments, the top portion **612** does not include a prismatic structure or light-turning characteristics. In certain embodiments, the sidewall portion **612** does not include a prismatic structure or light-turning characteristics. For example, the top portion can include a clear acrylic surface that is substantially optically transparent. In certain embodiments, the top portion is at least partially optically opaque, or reflective. Such qualities can be desirable in order to reduce the amount of light transferred through the collector **610** into the tube **620** at various points during the day, such as during the middle of the day when sunlight levels are relatively intense.

The tube **620** can be a separate component of the daylighting device **600** than the light collector **610**. For example, the tube can be an internally reflective channel of rigid construction, such as having a construction of aluminum and/or other material that is disposed adjacent to, or connected to, the light collector **610**. In certain embodiments, the tube **620** and the collector **610** are integrated such that the two components substantially combined into a single structure.

FIG. **7** illustrates an embodiment of a daylighting system **700** including a light collector with a dome-shaped top portion **712**. The dome-shaped top portion **712** may present a surface that is angled (θ) at various points with respect to a horizontal plane. Such an angle θ may affect the refractive characteristics of the top portion **712**, and may vary along the surface of the top portion **712**.

The top portion **712** can include any suitable shape. For example, FIG. **8** illustrates an embodiment of a daylighting system **800** with a top portion **812** having an angled cross-section. The cross-section of FIG. **8** may, for example, correspond to a light collector having a top portion **812** that is angled at 0-10 degrees from horizontal, 10-20 degrees from horizontal, 20-30 degrees from horizontal, 0-20 degrees from horizontal, 0-30 degrees from horizontal, or at

any angle in between. The shape, and/or size of the light collector **810** and/or top portion **812** may depend on various system considerations, such as ease of manufacturing/installation, refractive characteristics, aesthetics, and or other considerations. Any suitable shape or size of the top portion (e.g., **712**, **812**) can be used in daylighting devices constructed or configured according to one or more embodiments disclosed herein.

Though generally illustrated herein as having a cylindrical, or oval-shaped cross-section in certain embodiments, a light collector in accordance with the present disclosure may have any suitable cross-sectional shape. Furthermore, the cross-sectional shape of a light collector may vary at different points along a vertical axis of the light collector. FIGS. **9A-9F** illustrate embodiments of light collectors having various cross-sectional shapes. The various shapes shown in FIGS. **9A-9F** include square or rectangular **910A**, hexagonal **910B**, elliptical or oval-shaped **910C**, triangular **910D**, octagonal **910E**, and pentagonal **910F** light collectors. However, the embodiments depicted are provided as examples only, and a light collector for use in a daylighting system as described herein can be any suitable or feasible shape and/or size. Various shaped light collectors can be configured to correspond to a shape of a building opening through which a daylighting device transmits light. Prismatic elements can be positioned on one or more surfaces or zones of the light collector. As one example, FIG. **9A** illustrates prismatic elements on a top surface and a front surface of the light collector.

FIGS. **10A-D** show cross-sectional views of a light collector **1010** including both a side portion **1014**, and a top portion **1012**. The collector **1010** can include a transparent acrylic material, or other material that is at least partially transparent. In certain embodiments, the collector **1010** can be manufactured at least partially of transparent acrylic having a thickness of approximately 100-125 mm. In certain embodiments, one or more prismatic elements **1015a/1015b** are disposed within or without the side portion **1014** and/or the top portion **1012**, which may provide double refraction of light. FIGS. **10A-D** illustrate various configurations of prismatic elements **1015a** associated with the side portion **1014** and prismatic elements **1015b** associated with the top portion **1012**. For example, as illustrated in FIG. **10A**, the prismatic element **1015a** is associated with the side portion **1014** and prismatic element **1015b** is associated with the top portion **1012**. The prismatic element **1015a** extends along at least a portion **1017** of the side portion **1014** of the collector **1010**. The prismatic elements **1015a** and **1015b** can include a non-prismatic (e.g., planar) side and a prismatic side.

In certain embodiments, the prismatic element is molded into a thin polymer sheet that can be placed inside a protective transparent collector structure. The sheet can be molded to include various prismatic patterns. Various embodiments of prismatic patterns are illustrated in FIGS. **13A-C**. The top portion **1012** can include a variable prism dome. In some embodiments, the prismatic elements **1015a** and/or **1015b** can be incorporated into one or more walls or surfaces of the collector **1010** by forming prismatic features into the one or more walls or surfaces of the collector **1010**. While such formed prismatic features can be used, in certain embodiments, a prismatic element may provide desirable light turning characteristics relatively more efficiently, with respect to cost, ease of manufacture, and/or other considerations.

In certain embodiments, the side portion **1014** is cylindrically shaped, providing a 360-degree sunlight capture zone. The effective light capture area of the side portion

1014 can be an area of a cylinder in direct exposure to rays of sunlight, as well as a portion of the top cover **1012** that is directly exposed to the sunlight. In certain embodiments, in the presence of unobstructed, substantially collimated light, the effective capture area of the side portion **1014** can be approximately 90 degrees of the 360 degree circumference of the side portion **1014**, or approximately 25% of the total surface area of the side portion **1014**.

In certain embodiments, the prismatic element **1015a**, with either outwardly-facing or inwardly-facing prisms, extends along the inside of at least a portion **1017** of the side portion **1014** of the collector **1010**. In certain embodiments, sunlight may refract down into the tube if the sunlight is within approximately ± 45 degrees incident angle to the surface of the side portion **1014** of the collector. The side portion **1014** can be hollow, and may extend from the top portion **1012** down, terminating in an open lower end **1018**, through which light can pass.

In certain embodiments, the light collector **1010** can be configured such that optical elements associated with the side portion **1014** capture sunlight having elevations ranging from 20° - 40° , while optical elements associated with the top portion **1012** capture incident light at solar elevations greater than approximately 45° . By capturing sunlight incident at a wide range of solar altitudes, the optical elements of the light collector **1010** can substantially enhance the light collection performance of the daylighting device **1000** over a wide range of latitudes and seasons.

As shown in FIG. 10A, the light collector **1010** can include one or more prismatic elements **1015a**, which extend across at least a segment **1017** of a height and a perimeter of the side portion **1014**. The prismatic element **1015a** can be a single unitary member, or can include multiple distinct segments. In certain embodiments that include a prismatic element **1015a**, the prismatic element **1015a** can span the entire perimeter of the side portion **114** of the light collector **1010**. Alternatively, as shown in FIG. 10, the prismatic element **1015a** can span a segment **1017** of the perimeter of the side portion **1014**, but not span a remaining perimeter segment that is contiguous to the spanned segment **1017**.

In certain embodiments, the prismatic elements **1015a** and/or **1015b** can include prisms configured to refract light. The prismatic elements **1015a** and/or **1015b** can have a prismatic surface including a plurality of prisms and a non-prismatic (e.g. planar surface) opposite the prismatic surface. The plurality of prisms can include prism grooves on the prismatic surface of the prismatic element. In certain embodiments, the grooves can be linear when the prismatic element **1015a** is in a flat configuration and, thus, form circles when the prismatic element **1015a** is formed into a cylindrical configuration.

The outer surface of the prismatic element can be positioned against, or proximate to, an inner surface of the sidewall portion of the collector. The prism grooves can be outwardly facing, as shown in FIG. 10A, or otherwise configured. In certain embodiments, similar prisms are present in both the top portion and the side portion, both serving to increase light throughput. The various prism elements included in the light collector **1010** can have different prism angles, depending on what portion of the collector **1010** they are associated with. In certain embodiments, the prismatic elements in the light collector **1010** have uniform prism angles throughout the collector **1010**. In certain embodiments, prisms within a single region of the collector **1010** have varying prism angles. As one example, the prisms can have variations in the prism angles along the length of the

prism. For example, it can be desirable for adjacent prisms, or adjacent groups of prisms, to include different prism angles in order to mix the light that propagates through a portion of the light collector **1010**. For example, if substantially collimated light enters a prismatic portion of a light collecting assembly that includes prisms with equal prism angles, light entering the tube can be concentrated in certain regions. Such light concentration may cause undesirable "hot spots" in the destination area. By varying the prism angles, the effect of such hot spots can be reduced. In certain embodiments, the prisms can be continuous or have separated spaces between the prisms. In certain embodiments, the prisms can have flat or partially curved faces.

The top portion **1012** can be made integrally with the side portion **1014** and may extend from an open base **1018** to a closed top portion **1012**, forming a continuous wall. Alternatively, the top portion **1012** can be an at least partially separate physical component from the side portion **1014**. In the depicted embodiment, the top portion **1012** is substantially flat, and can be associated with one or more optical components, such as a prismatic element **1015b**. However, as discussed above, the top portion **1012**, or any other portion of the light collector **1010**, can be shaped in any suitable manner. For example, the top portion **1012** can be angled such as illustrated in FIG. 8.

In certain embodiments, the top portion **1012** is at least partially constructed of transparent acrylic. In certain embodiments, the top portion **1012** can be formed with prismatic elements, which can be prism lines that are etched in, molded in, or otherwise integrated with or attached to the top portion **1012**. In certain embodiments, the prism elements increase light throughput by capturing light originating outside the collector **1010** and turning it downward through the open base portion **1018**, and into a tube assembly. Prismatic elements **1015b** associated with the top portion **1012** may differ from the prismatic elements **1015a** associated with the side portion **1014**. For example, the prismatic element **1015b** can include prismatic grooves having opposing faces that lie at angles of approximately 70° and 30° , respectively, with respect to a vertical plane. In some embodiments, the angles can be approximately 45° and 18° . Prisms including faces that lie at other angles are also contemplated with respect to embodiments of top, side, and/or other portions of light collecting assemblies disclosed herein.

FIG. 10A illustrates an embodiment of a configuration of the prismatic elements **1015a** and **1015b** within the light collector **1010**. The prismatic surface of the prismatic element **1015a** can be positioned against, or proximate to, an inner surface of the side portion **1014** of the collector **1010**. The prism grooves of the prismatic surface can be outwardly facing towards the direction of incoming light. The non-prismatic surface of the prismatic element can be opposite the prismatic surface and can be inwardly facing toward the interior of the light collector **1010**. The outwardly facing prismatic surface of the prismatic element **1015a** can provide a first refraction of light and the non-prismatic surface of the prismatic element **1015a** can provide a second refraction of light toward the aperture **1018**. A detailed view of the prismatic element **1015a** in this configuration is illustrated in FIG. 11A.

The prismatic surface of the prismatic element **1015b** can be positioned against, or proximate, an inner surface of the top portion **1012**. In some embodiments, the prismatic element **1015b** can be molded into the top portion **1012**. The non-prismatic surface of the prismatic element **1015b** can be upwardly or outwardly facing towards the direction of

incoming light. The prism grooves of the prismatic surface of the prismatic element **1015b** can be downwardly or inwardly facing toward the interior of the light collector. The outwardly facing non-prismatic surface of the prismatic element **1015b** can provide a first refraction of light and the prismatic surface of the prismatic element **1015b** can provide a second refraction of light toward the aperture **1018**.

FIG. **10B** illustrates an embodiment of a configuration of the light collector **1010** including the prismatic element **1015b'** associated with the top portion **1012**. In this embodiment, there is no prismatic element associated with the side portion **1014**. In this embodiment, the non-prismatic surface of the prismatic element **1015b'** can be positioned against, or proximate, an inner surface of the top portion **1012**. The prismatic element **1015b** can be offset from the inner surface of the top portion **1012** so that the prismatic element **1015b'** does not directly contact the inner surface of the top portion **1012**. The non-prismatic surface of the prismatic element **1015b'** can be positioned towards the direction of incoming light. For example, as illustrated, the non-prismatic surface of the prismatic element **1015b'** can be upwardly or outwardly facing. The prism grooves of the prismatic surface are positioned on the opposite side from the non-prismatic surface. For example, as illustrated, the prismatic surface can be downwardly or inwardly facing toward the interior of the light collector **1010**. The non-prismatic surface of the prismatic element **1015b'** can provide a first refraction of light and the prismatic surface of the prismatic element **1015b'** can provide a second refraction of light toward the aperture.

FIG. **10C** illustrates an embodiment of a configuration of the light collector **1010** with a shortened sidewall **1014'** as compared to FIG. **10B**. The shortened sidewall **1014'** can help increase that proportion of light transmitted directly through the top portion **1012** toward the collector base aperture and reduce the proportion of incoming light transmitted through the sidewall **1014** toward the collector base aperture **1018**.

FIG. **10D** illustrates an embodiment of a configuration of the light collector **1010** including the prismatic element **1015b'** associated with the top portion **1012** and a reflector **1080** associated with at least a portion of the sidewall portion. In this embodiment, there is no prismatic element associated with the side portion **1014**. The non-prismatic surface of the prismatic element **1015b'** can be positioned against, or proximate, an inner surface of the top portion **1012**. The prismatic element **1015b'** can be offset from the inner surface of the top portion **1012** so that the prismatic element **1015b'** does not directly contact the inner surface of the top portion **1012**. The non-prismatic surface of the prismatic element **1015b** can be positioned towards the direction of incoming light. For example, as illustrated, the non-prismatic surface of the prismatic element **1015b'** is upwardly or outwardly facing. The prism grooves of the prismatic surface are positioned on the opposite side from the non-prismatic surface. For example, as illustrated, the prismatic surface can be downwardly or inwardly facing toward the interior of the light collector. The outwardly facing non-prismatic surface of the prismatic element **1015b'** can provide a first refraction of light and the prismatic surface of the prismatic element **1015b'** can provide a second refraction of light toward the aperture.

The reflector **1080** can be a flat or curved reflective panel associated with the light collector **1010** that reflects at least a portion of sunlight, which would otherwise exit the light collector **1010**, toward the collector base aperture **1018**. The light reflector **1080** can be disposed within, adjacent to, or in

integration with, a light collecting assembly. The reflector can be made of material having high luminous reflectance. For example, the luminous reflectance of the reflector **1080** can be greater than or equal to about 0.9, greater than or equal to about 0.95, greater than or equal to about 0.98, or greater than or equal to about 0.99, when measured with respect to CIE Illuminant D_{65} . The reflector **1080** can be curved, such as illustrated in FIGS. **14A-C**, or can be any shape configurable to reflect light propagating within or near a light collecting assembly.

The reflector **1080** can be sloped inward by a defined slope angle α_{slope} . Sloping the reflector **1080** relative to a vertical orientation can advantageously increase the effective solar altitude by up to about twice the slope angle. For example, light incident at an angle θ on the vertical reflector can be reflected at the same angle θ . Light incident at an angle θ on a reflector sloped by an angle α_{slope} can be reflected by an amount $\theta + 2\alpha_{slope}$. Thus, a sloped reflector can advantageously increase the effect solar altitude angle, such as, for example by twice the slope angle. Additional embodiments of reflectors that can be incorporated in the light collecting assembly are described herein.

The daylighting device **1000** can be configured as a skylight that provides illumination to the interior of a part of a building (e.g., a room of a building, lobby of a building, etc.) through an opening (e.g., a vertical opening) in the roof of the building or the attic area of the building. An example of a skylight includes a tubular daylighting device comprising a tubular light conduit and a diffusing element. Embodiments of a tubular daylighting device are described in U.S. Publication No. 2013/0083554 which is incorporated by reference herein in its entirety for all that it disclosed. Other examples of a skylight can include: a fixed skylight comprising a light transmitting element fixedly positioned in a frame disposed on a top or a side of the building; a skylight comprising a light transmitting element that is hingedly attached to a frame and is configured to be opened to allow ventilation; or a retractable skylight in which the light transmitting element can be retracted off a frame so that the interior of the building can be illuminated with ambient light and be ventilated. The light transmitting element of the skylight can include a light collector (e.g., light collector **1010**) and one or more prismatic elements (e.g., **1015a**, **1015b**, **1015b'**). The light transmitting element of the skylight can have a planar geometry or a three-dimensional geometry. For example, the light transmitting element of the skylight can be dome shaped. The light transmitting element can have a rectangular shape, circular shape, oval shape, square shape, or any other regular/irregular shape as may be dictated by architectural requirements or constraints.

With reference now to FIG. **10E**, an embodiment of a configuration of a planar skylight **1100** is illustrated. Although, the skylight **1100** is illustrated as having a planar geometry, the skylight **1100** can have any other three-dimensional geometry (e.g., it can be dome shaped) in other embodiments. The skylight **1100** can have a rectangular, circular, oval or any other regular/irregular shape. The skylight **1100** can be configured so that it aligns with the angle of the roof structure of the building. Generally, the angle of the roof can be less than about 40° from horizontal. In some embodiments, the skylight **1100** can be configured so that, when installed, the skylight **1100** is parallel or substantially parallel to the roof. The skylight **1100** can be mounted directly to the roof structure. In some embodiments, the skylight **1100** can be configured to protrude from the surface of the roof structure, which can be about 6 inches or less, 3 inches or less, or another height relative to the

surface of the roof. In certain embodiments, a side of the skylight **1100** closer to the pole protrudes from the roof while a side of the skylight **1100** closer to the equator does not protrude from the roof or protrudes less from the roof than the other side of the skylight **1100**. The low profile of the skylight **1100** can help to reduce the visibility of the skylight **1100** when installed on the roof structure.

The skylight **1100** can include a skylight cover **1102** and a prismatic element, such as the prismatic element **1015b** shown in FIG. **10E**. The skylight cover **1102** can include a light collector or a glazing pane. As used herein a glazing pane refers to a transmissive portion of a fenestration apparatus. Accordingly, a glazing pane can include a transmissive portion of a wall, a window, a roof of a building. The skylight cover **1102** can have a planar or a three dimensional geometry (e.g., a dome shape). The skylight cover **1102** can have a rectangular shape, a circular shape, an oval shape or any other regular/irregular shape. The skylight cover **1102** has an outer surface configured to receive incident sunlight and an inner surface opposite the outer surface.

The prismatic element **1015b** can have a non-prismatic surface that is configured to receive light transmitted through the skylight cover **1102** and a prismatic surface comprising a plurality of prisms or grooves configured to refract the received light. The non-prismatic surface can be planar (e.g., as illustrated in FIG. **10E**) or non-planar. In various embodiments, the non-prismatic surface of the prismatic element **1015** can have a shape that is substantially similar to the shape of the skylight cover **1102**. The prismatic element **1015b** can be positioned against, or proximate, the inner surface of the skylight cover **1102**. In some embodiments, the prismatic element **1015b** can be adhered to the inner surface of the skylight cover **1102**. In some embodiments, the prisms of the prismatic element **1015b** can be molded on the inner surface of the skylight cover **1102** such that the prismatic element **1015b** is integrated with the inner surface of the skylight cover **1102**. In some embodiments, the prismatic element **1015b** can be offset from the inner surface of the skylight cover **1102** so that the prismatic element **1015b** does not directly contact the inner surface of the skylight cover **1102**. In such embodiments, the prismatic element **1015b** can be positioned at a small distance (e.g., between about 0.01 inches and about 1 inch) from the inner surface of the skylight cover **1102**. In various embodiments, the prismatic element **1015b** can be positioned such that it is no more than 6 inches from the plane of the roof. In various embodiments, the prismatic element **1015b** can be positioned below the plane of the roof. The non-prismatic surface of the prismatic element **1015b** can be positioned towards the direction of incoming light. For example, as illustrated, the non-prismatic surface of the prismatic element **1015b** can be upwardly or outwardly facing. The plurality of prisms **1156b** of the prismatic surface is positioned on the opposite side from the non-prismatic surface. For example, as illustrated, the prismatic surface can be downwardly or inwardly facing toward the interior of the skylight **1100**. The non-prismatic surface of the prismatic element **1015b** can provide a first refraction of light and the prismatic surface of the prismatic element **1015b** can provide a second refraction of light toward an aperture of the skylight **1100**.

The skylight **1100** can be configured so that it can be positioned on various locations on the roof, such as, for example, a north, south, east, or west facing roof. The positioning of the non-prismatic surface of the prismatic element **1015b** to face the direction of incoming light can provide an angle of refraction that increases the range of

solar altitudes at which radiation can be captured and turned towards the daylighting aperture at the base of the light collector.

In some embodiments, a thermally insulating section is disposed between the skylight **1100** and a thermally-controlled portion of the building that receives illumination via the skylight **1100**. For example, the thermally insulating section can be disposed at the level of building insulation. Examples of thermally insulating sections are disclosed in U.S. Pat. No. 8,601,757, the entire contents of which are incorporated by reference herein and made a part of this specification.

With reference to FIG. **10F**, another embodiment of a skylight **1110** is illustrated that can be angled relative to the slope of the roof. The embodiment of the skylight **1110** can share the same characteristics of the skylight **1100** discussed above. The skylight **1110** can be angled such that the edge further from the equator is elevated relative to the opposite edge (i.e., the edge closer to the equator). For example, an elevated side may have a height of 6 inches or less relative to the roof and the opposite side may be flush with the roof or have a height that is less than the elevated side. In some embodiments, the angle of the slope relative to the plane of the roof can be greater than or equal to 0° , greater than or equal to 5° , greater than or equal to 10° , greater than or equal to 15° , less than or equal to 20° , less than or equal to 25° , less than or equal to 30° , less than or equal 35° , and/or within a range bounded by any two of the foregoing angles. The angle of the skylight **1110** can be configured to increase the effective area of the skylight **1110** and increase the effective solar altitude of sunlight incident on the skylight **1110**.

The skylight **1100** can be positioned in a frame that is attached to an opening in a roof or in an attic area of a building. The frame can include ridges, shelves and/or grooves configured to receive the skylight cover **1100** and/or the prismatic element **1015b**. The skylight **1100** can be immovably positioned in the frame or movably positioned in the frame such that it can be at least partially opened. As discussed herein, the skylight **1100** can include a tubular light conduit that allows propagation of light transmitted through the prismatic element **1015b** towards an aperture of the skylight. The tubular light conduit can include various optical elements (e.g., reflectors, redirectors, diffusing elements, etc.) that are configured to condition light transmitted through the prismatic element **1015b** prior to being emitted through the aperture. In various embodiments, the skylight **1100** can include a diffuser positioned to provide diffused light to the interior of the room. The diffuser may be positioned near or adjacent an aperture of the skylight within the building.

Various embodiments of the skylight **1100** can include a positioning assembly that is configured to position the skylight cover **1102** over an opening in a roof of the building. The positioning assembly can be further configured to position the prismatic element **1015b** at a desired orientation with respect to the plane of the roof to increase light collection efficiency by the skylight **1100**.

FIG. **11A** provides a cross-sectional view of a portion **1115a** of the prismatic element **1015a** shown in FIG. **10A**. In the embodiment illustrated in FIG. **11A**, the prismatic element **1115a** comprises a non-prismatic surface **1149a** and a prismatic surface including a plurality of prisms **1156a** opposite the non-prismatic surface **1149a**. The structure shown in FIG. **11A** omits the outer transparent side portion **1014** of the light-collecting assembly **1010** of FIG. **10A** for clarity. The prisms **1156a** can be positioned along the

interior surface of the side portion **1014**, and may face the direction of sunlight L_S penetrating the side portion **1014**. In certain embodiments, prisms **1156a** are inwardly facing, with non-prismatic surface **1149a** facing the side portion **1014**. In certain embodiments, prismatic element **1115a** can include prisms on more than one of its sides. The prisms **1156a** can be configured to turn at least a portion of sunlight that strikes the sidewall portion of the light collecting assembly downward towards a horizontal aperture of a tube.

In certain embodiments, prisms **1156a** include two surfaces—a draft surface **1146a** and a riser surface **1148a**. In the embodiment of FIG. **11A**, riser surface **1148a** has a prism riser angle γ_1 with respect to a normal to the non-prismatic surface **1149a**, while the draft surface **1146a** has a prism riser angle γ_2 with respect to the normal to the non-prismatic surface **1149a**. The prism angles γ_1 and γ_2 can be equal, or may vary, depending on the configuration of the prismatic element **1115a**. Furthermore, adjacent prisms **1156a**, or groups of prisms, may have varying prism angles. Such varying prism angles may promote mixing of light propagating through a light collector. In certain embodiments the prismatic element **1115a** includes prisms having uniform prism angles. In certain embodiments, the prism angles γ_1 and γ_2 have angles of approximately 70° and 30° , respectively.

FIG. **11B** provides a cross-sectional view of a portion of the prismatic element **1015b** shown in FIGS. **10A-G**, the illustrated portion of the prismatic element is referred to as **1115b**. The structure shown in FIG. **11B** omits the outer transparent top portion **1012** of the light-collecting assembly **1010** illustrated in FIGS. **10A-D** and the skylight cover **1102** illustrated in FIG. **10E** for clarity. The prismatic element **1115b** includes a non-prismatic surface **1149b** on a first side and a prismatic surface comprising plurality of prisms **1156b** on a second side. The non-prismatic surface **1149b** can be planar in various embodiments. The prismatic element **1115b** can be positioned along the interior surface of the top portion **1012**. The non-prismatic surface **1149b** of the prismatic element **1115b** can be configured to face the top portion **1012** or the skylight cover **1102**, and may face the direction of sunlight L_S penetrating the top portion **1012** or the skylight cover **1102**. The non-prismatic surface **1149b** can provide a first refraction of sunlight L_S and the prisms **1156b** can provide a second refraction of sunlight L_S in order to turn at least a portion of sunlight that strikes the top portion of the light collecting assembly downward towards a horizontal aperture of a tube.

Each of the prisms **1156b** can include two surfaces—a riser surface **1146b**, and a draft surface **1148b**. In the embodiment of FIG. **11B**, the riser surface **1146b** is inclined by a riser prism angle γ_1 with respect to a surface normal to the non-prismatic surface **1149b**, while the draft surface **1148b** is inclined by a draft prism angle γ_2 with respect to the a surface normal to the non-prismatic surface **1149b**, the draft prism angle γ_2 being opposite the riser prism angle γ_1 . The inclination of the riser surface is provided by the riser prism angle γ_1 and the inclination of the draft surface is provided by the draft prism angle γ_2 . The plurality of prisms **1156b** included in a skylight **1100** can be oriented such that the riser surface **1146b** faces the equator. For example, in the northern hemisphere the riser surface **1146b** can be oriented to face south. Orienting the riser surface **1146b** of each of the plurality of prisms **1156b** toward the equator can increase the efficiency of light collection by the skylight **1100**. The size of the riser surface **1146b** and the inclination of the riser surface given by the riser prism angle γ_1 with respect to the surface normal to the non-prismatic surface **1149b** can be

configured to increase collection of sunlight for various times of the day and/or year. In various embodiments of the skylight **1100**, the size, inclination, and the orientation of the riser surface **1146b** can be configured such that a substantial portion of the sunlight transmitted through the non-prismatic surface **1149b** of the prismatic element **1115b** can be incident on the riser surface **1146b** throughout the day (e.g., morning and evening when the rays of the sun are oblique and noon when the rays of the sun are less oblique) and/or year (e.g., spring, summer, autumn and winter). For example, greater than about 50% of the received sunlight, greater than about 60% of the received sunlight, greater than about 70% of the received sunlight, greater than about 80% of the received sunlight, greater than about 90% of the received sunlight, or greater than about 95% of the received sunlight can be incident on the riser surface **1146b**. In such embodiments, the amount of sunlight transmitted through the non-prismatic surface **1149b** of the prismatic element **1115b** that is incident on the draft prism surface **1148b** can be less than or equal to about 10%, less than or equal to about 20%, less than or equal to about 30%, less than or equal to about 40%, etc. In various embodiments discussed herein, the riser surface **1146b** can be configured to face the sun such that the amount of incident sunlight transmitted through the non-prismatic surface **1149b** received by the riser surface **1146b** is greater than the amount of incident sunlight transmitted through the non-prismatic surface **1149b** received by the riser surface **1148b**.

In the embodiment illustrated in FIG. **11B**, the size and the riser angle of the riser surface **1146b** is configured such that sunlight incident at less oblique angles as well as more oblique angles are received by the riser surface **1146b** and refracted out of the prismatic element **1115b**. For example, sunlight incident at an angle of 20 degrees with respect to the non-prismatic surface **1149b** of the prismatic element **1115b** depicted by ray **L20** is received by the riser surface **1146b** and refracted out of the prismatic element **1115b** at an angle of about 40-45 degrees with respect to non-prismatic surface **1149b** as depicted by ray **R45**. Sunlight incident at an angle of 60 degrees with respect to the non-prismatic surface **1149b** of the prismatic element **1115b** depicted by ray **L60** is also received by the riser surface **1146b** and refracted out of the prismatic element **1115b** at an angle of about 70-75 degrees with respect to the non-prismatic surface **1149b** as depicted by ray **R72**. Sunlight incident at an angle of 90 degrees with respect to the non-prismatic surface **1149b** is refracted out of the is also received by the riser surface **1146b** and refracted out of the prismatic element **1115b** at an angle of about 100-105 degrees with respect to the non-prismatic surface **1149b** as depicted by ray **R101**.

The prism angles γ_1 and γ_2 can be equal, or may vary, depending on the configuration of the prismatic element **1115b**. Furthermore, adjacent prisms **1156b**, or groups of prisms, may have varying prism angles. Such varying prism angles may promote mixing of light propagating through a light collector. In certain embodiments the prismatic element **1115b** includes prisms having uniform prism angles. In certain embodiments, the prism angles γ_1 and γ_2 have angles of approximately 70° and 30° , respectively. In certain embodiments γ_1 can have angles between 60° and 90° , between 60° and 80° , between 65° and 75° , between 67° and 73° , or another acceptable range. In certain embodiments γ_2 can be between 20° and 40° , between 25° and 35° , between 27° and 33° , or another acceptable range. In some embodiments, the performance of the efficiency of light collection by the light collector **1010** and/or the skylight **1100** can be improved when the prism angle γ_1 , also referred to as the

riser angle, is between 30° and 85°, between 35° and 75°, between 40° and 70°, between 45° and 65°, or between 50° and 60°. For example, in various embodiments, the prism angle γ_1 can have a value between about 35 degrees and about 43 degrees. As another example, the prism angle γ_1 can have a value between about 47 degrees and about 85 degrees. In some embodiments, the prism angle γ_1 can be approximately equal to 50°.

With further reference to FIGS. 10A-D, prism angles associated with the top portion 1012 and the side portion 1014 can be selected to provide an angle of refraction that increases the range of solar altitudes at which radiation can be captured and turned towards the daylighting aperture 1018 at the base of the light collector 1010. In certain embodiments, the light collector 1010 and prismatic element are made of the same material or materials, or materials having substantially similar indexes of refraction. In some embodiments, the prismatic element(s) can include a material or materials with higher index of refraction than a sidewall of the light collector.

With specific reference to FIGS. 10B-10E, positioning of the non-prismatic surface of the prismatic element 1015b to face the direction of incoming light can provide an angle of refraction that increases the range of solar altitudes at which radiation can be captured and turned towards the daylighting aperture at the base of the light collector. The positioning of the non-prismatic surface can provide large incident angles at low solar elevations in order to produce large refraction angles. The positioning of the non-prismatic surface can be configured such that the sunlight is substantially perpendicular to the riser angle of the prismatic surface for at least a portion of the day.

Table A-1 below illustrates the adjusted solar elevation θ_3 of sunlight incident at various solar elevations θ_1 on a horizontal acrylic prismatic element with various prism angles γ_1 , also referred to as the riser angle. The adjusted solar elevation θ_3 refers to the angle of daylight after refraction by the prismatic element 1015b when the prismatic element associated with the top cover of the daylight collector is positioned with the non-prismatic surface facing outward (i.e., the non-prismatic surface is disposed between

1015b while also providing significant increase in the adjusted solar elevation θ_3 between 20 degrees to 70 degrees.

When selecting the solar elevation θ_1 in Table A-1 the slope of the roof (also referred to as roof pitch) and any incline of a prismatic element from a plane of the roof can be accounted for as follows. If the prismatic element is parallel to the ground, the solar elevation θ_1 selected can be the actual solar elevation. When using Table A-1 for determining the adjusted solar elevation after refraction by a prismatic element not parallel to the ground, an “effective solar elevation” can be used for the solar elevation θ_1 . For example, when the prismatic element is in a plane parallel to the roof, the effective solar elevation can be obtained by adding the equator-facing roof pitch component to the actual solar elevation if the prismatic element is parallel to a roof section angled towards the equator. The effective solar elevation can be obtained by subtracting the polar-facing roof pitch component from the actual solar elevation if the prismatic element is parallel to a roof section angled away from the equator. The effective solar elevation can be further adjusted if the prismatic element 1015b is inclined from the plane of the roof. For example, if the prismatic element is inclined from the roof pitch towards the equator side of the roof (as shown in FIG. 10F), the effective solar elevation can be obtained by adding or subtracting the roof pitch component as discussed above and adding the angle between the prismatic element and the plane of the roof. The prismatic element 1015b can be installed within a light collector, such as light collector 1010, along or substantially along a horizontal plane parallel to the ground or can have a slope of up to about 40 degrees from a horizontal plane parallel to the ground. The prismatic element 1015b can be installed within a light collector, such as light collector 1010, along or substantially along a plane parallel to the plane of a roof of a building.

In some embodiments, a light collector having a prismatic element with a prism riser angle γ_1 between 35 degrees and 85 degrees can allow for a higher aspect ratio of a daylight collector, improved light collection at lower solar altitudes, increased light collection, and/or improved illumination performance.

TABLE A-1

Adjusted Solar Elevation (θ_3)°											
Riser Angle (γ_1)	Solar Elevation (θ_1)°										
	20°	30°	40°	50°	60°	70°	80°	90°	100°	110°	120°
35°	63.2°	68.5°	75.8°	85.1°	97.5°	—	—	—	—	—	—
40°	60.4°	65.4°	72.3°	80.8°	91.2°	105.1°	—	—	—	—	—
45°	57.7°	62.7°	69.2°	77.3°	86.8°	98.2°	113.6°	—	—	—	—
50°	55.2°	60.1°	66.5°	74.2°	83.2°	93.5°	105.7°	123.3°	—	—	—
55°	52.8°	57.6°	64.0°	71.5°	80.1°	89.8°	100.7°	113.7°	134.5°	—	—
60°	50.3°	55.2°	61.5°	68.9°	77.4°	86.6°	96.8°	108.2°	121.9°	—	—
65°	47.7°	52.7°	59.1°	66.5°	74.8°	83.8°	93.5°	104.1°	115.7°	130.1°	—
70°	45.0°	50.0°	56.5°	64.0°	72.3°	81.0°	90.6°	100.6°	111.3°	123.2°	137.9°
75°	41.9°	47.2°	53.9°	61.5°	69.9°	78.7°	88.0°	97.7°	107.8°	118.5°	130.2°
80°	38.3°	44.0°	51.0°	58.9°	67.4°	76.3°	85.5°	95.0°	104.7°	114.8°	125.2°

the prismatic surface and the sky) as illustrated in FIGS. 10A-10E. Table A-1 illustrates various calculated values of the adjusted solar elevation θ_3 for a prism angle γ_1 between 35 degrees and 80 degrees. For example, when prism angle γ_1 is equal to 50 degrees, incident light at solar elevation up to 90 degrees can be refracted out of the prismatic element

Table A-2 below illustrates the angle of the solar elevation of sunlight incident θ_1 on a horizontal acrylic prismatic element with prism angles γ_1 and γ_2 of 70° and 30°, respectively, and the adjusted solar elevation θ_3 after refraction by the prismatic element 1015b when the prismatic element associated with the top cover of the daylight collector is positioned with the non-prismatic surface facing outward as illustrated in FIGS. 10A-10D. Adjusted efficiency is the

percentage of light refracted by the prismatic element that exits the prismatic element at or near the adjusted solar elevation rather than being reflected or absorbed by the prismatic element.

TABLE A-2

Solar Elevation (θ_1)°	Horizontal Prismatic Element Adjusted Solar Elevation (θ_3)°	Adjusted Efficiency (%)
20.0°	41.0°	85.0%
30.0°	46.6°	90.0%
40.0°	53.7°	95.0%
50.0°	61.8°	98.0%
60.0°	70.8°	93.0%
70.0°	80.2°	88.0%
80.0°	90.1°	83.0%
90.0°	100.8°	77.0%

Table B below illustrates the angle of the solar elevation of sunlight incident θ_1 on horizontal and vertical polycarbonate prismatic elements and the adjusted solar elevation θ_3 after refraction by the horizontal prismatic element **1015b** when the prismatic element is positioned with the non-prismatic surface facing outward as illustrated in FIGS. **10A-D**. Table B also shows the adjusted solar elevation θ_3 after refraction by the vertical prismatic element **1015a** when the prismatic element is positioned with the non-prismatic surface facing inward as illustrated in FIG. **10A**. In this embodiment, the prism angles γ_1 and γ_2 have angles of approximately 70° and 30°, respectively.

TABLE B

Solar Elevation (θ_1)°	Horizontal Prismatic Element Adjusted Solar Elevation (θ_3)°	Vertical Prismatic Element Adjusted Solar Elevation (θ_3)°
20.0°	44°	33°
30.0°	49°	45°
40.0°	56°	58°
50.0°	64°	80°
60.0°	73°	TIR @ 52° (θ_1)
70.0°	82°	TIR

Table C illustrates the angle of the solar elevation of the light incident θ_1 on a prismatic hemispherical dome made of acrylic, the adjusted solar elevation θ_3 after the refraction of the prismatic dome when the prismatic element is positioned with the non-prismatic surface facing the direction of incoming light and the prismatic surface facing inward.

TABLE C

Solar Elevation (θ_1)°	Acrylic Hemispherical Prismatic Dome Adjusted Solar Elevation (θ_3)°	Adjusted Efficiency (%)
20.0°	36.0°	85.0%
30.0°	40.0°	85.0%
40.0°	51.0°	86.0%
50.0°	56.0°	85.0%
60.0°	61.0°	62.0%
70.0°	54.0°	46.0%
80.0°	50.0°	40.0%
90.0°	45.0°	35.0%

The prismatic element **1015b** uses the non-prismatic side of the lens to provide large incident angles at low solar elevations in order to produce large refraction angles. The riser angle γ_1 is configured to help to minimize optical losses and maintain a downward trajectory of light due to shallow negative incident angles at low solar elevations and small

positive incident angles at higher solar elevations. The draft angle γ_2 is configured to minimize the blockage of light in the downward direction throughout all solar elevations. The resultant total light turning performance is increased over a wide range of solar elevations.

The efficiencies of the prismatic element **1015b** configured as illustrated in FIGS. **10A-D** as compared to typical values for a prismatic hemispherical dome design are listed in Table A-2 and Table C, respectively. This adjusted solar elevation and associated efficiency combination over a range of 20 to 90 degrees is substantially greater in the configuration of prismatic element **1015b**.

Table D provides example configurations for a number of possible embodiments of daylight collectors. The configurations provided in Table D correspond to the performance data shown in FIG. **25**. Table D provides configuration and size information that can be helpful in assessing performance issues associated with the respective embodiments, as well as other embodiments.

TABLE D

Collector Type	Collector Height h_c (inches)	Vertical Lens Height (inches)	Reflector	Top Cover Configuration
Low Profile (LP)	6.5"	3"	None	Flat
Medium Profile (MP)	8.5"	None	Yes	Flat
High Profile (HP)	13.0"	4.5"	Yes	Flat
Medium Profile (MP)	8.5"	None	Yes	20° Slope
High Profile (HP)	13.0"	4.5"	Yes	20° Slope

The configurations and values provided in Table D are illustrative of various possible daylight collector configurations, and do not limit the scope of the disclosure in any way. Furthermore, although certain configurations are provided in the table, the respective collector configurations and dimensions need not conform in any way to such values, and can be configured to be any suitable combinations of configurations and dimensions.

In the tested configurations, each collector is substantially cylindrical with a width w_c of 10 inches. The table provides a collector height h_c . The vertical lens height refers to the height of a vertical prismatic element disposed within the light collector, such as illustrated in FIG. **10A**. The reflector column indicates whether a reflector (e.g., reflector **1480**) is included within the light collector. The top cover configuration indicates the shape of the top portion of the light collector. A flat configuration refers to the configuration of the top portion **1012** illustrated in FIGS. **10A-10D**. A sloped configuration refers to a sloped top portion, such as, for example, the sloped top portion **812** illustrated in FIG. **8**. In the illustrated embodiment, the slope of the top portion is 20° from horizontal. Embodiments of sloped top portions can have other suitable slopes, such as, for example, 15-25° from horizontal, 10-30° from horizontal, or 5-35° from horizontal. In some embodiments, a sloped top portion has a slope from horizontal less than or equal to 40°.

With additional reference to FIG. **25**, a chart showing performance data associated with the collectors identified in the Table D is shown. The baseline performance is based on an acrylic prismatic hemispherical dome, indicated by "Dome". The chart illustrates relative performance based on the lumens of light measured at each solar altitude.

In certain embodiments, the top portion **1012** can be configured to reduce the effective capture area of the light collector **1010** at solar altitudes higher than a certain value to prevent over illumination and/or heating during midday

hours (such as, for example, between 10 am and 3 pm, between 11 am and 2 pm, or during a time when the solar altitude is greater than or equal to 50 degrees or greater than or equal to 60 degrees). In certain embodiments, at least a portion of the top portion **1012** can be configured to reflect some or all of the light striking such portion at solar altitudes above a certain angle. For example, at least some of the top portion **1012** can be configured to reflect at least a portion of overhead sunlight in order to reduce light and/or heat during midday hours. Embodiments of the light collector **1010** with a prismatic element **1015b** positioned to receive daylight transmitted through the top portion **1012** can be beneficial in sunny and high solar altitude conditions. A prismatic element **1015b** in the top portion **1012** can direct a substantial portion, most, or substantially all daylight incident on the top portion **1012** towards a reflector, such as, for example, the reflector **1980** shown in FIG. **19**. The reflector can be configured to reject wavelengths of daylight that transmit thermal energy but provide little or no visible illumination.

In certain embodiments, the top portion **1012** of the light collector **1010** can be constructed at least partially from clear acrylic, transparent plastic, another suitable material, or a combination of materials. Embodiments of the light collector **1010** with a clear top portion can be beneficial in diffuse daylight conditions due to relatively high transmission of overhead sunlight. The prismatic elements can be constructed from an optically transparent material having a high index of refraction such as acrylic, polycarbonate, another suitable material, or a combination of suitable materials.

The walls of the side portion **1014** can be substantially vertical, or may have any desirable inward or outward slope. In certain embodiments, the walls of side portion **1014** are sloped to allow for nesting of multiple such components to allow for tighter packaging.

In certain embodiments, the side portion **1014** provides a substantially vertical daylight-collection surface for sunlight collection, which may provide higher aspect ratios for light collection. Prismatic elements can be integrated with at least a portion of the wall of the side portion **1014**. In alternative to, or in addition to, prisms integrated in the side portion **1014**, the above-described prismatic element can be used to refract light downward. The non-prismatic back side **1149a** of the prismatic element **1115a**, shown in FIG. **11A**, may provide good downward refraction due to a high to low index of refraction interface. Certain light collector embodiments include a plastic polymer, such as acrylic or polycarbonate, with an index of refraction in the range of approximately 1.49-1.65. In certain embodiments, the index of refraction can be in the range of approximately 1.40 and 1.60.

Referring to FIGS. **10E** and **10F**, the embodiments of skylight **1100** can comprise a prismatic element **1015b** similar to the prismatic element **1115b** of FIG. **11B** and a light conduit configured to transmit light emitted from the prismatic surface of the prismatic element **1015b** towards an output aperture of the skylight **1100**. The light conduit can have a length 'l' and a width, 'd'. The inner walls of the conduit can be configured to have a reflectivity, 'r'. In various embodiments, a diffuser can be positioned adjacent the output aperture of the skylight **1100**. The orientation of the riser surface of the plurality of prisms of the prismatic element **1015b** can be configured to refract incident sunlight transmitted through the skylight cover **1102** and the non-prismatic surface **1149b** of the prismatic element **1015b** along directions that are more normal to the non-prismatic surface **1149b** of the prismatic element **1015b** for solar

elevation angles (or solar altitude) between about 20 degrees and about 110 degrees. For example, the prism riser angle γ_1 of the riser surface of the plurality of prisms of the prismatic element **1015b** can be configured to have a value between about 35 degrees and about 85 degrees such that light is transmitted out of the prismatic surface of the prismatic element **1015b** along directions that are more normal to the non-prismatic surface **1149b** of the prismatic element **1015b** for solar elevation angles (or solar altitude) between about 20 degrees and about 110 degrees. In some embodiments, a skylight including a prismatic element **1015b** can be configured to refract light such that light is transmitted out of the prismatic surface of the prismatic element **1015b** along directions that are more normal to the non-prismatic surface **1149b** of the prismatic element **1015b** for solar elevation angles (or solar altitude) between about 20 degrees and about 110 degrees, which can improve the light collection efficiency by reducing the number of reflections through the light conduit and reduce reflection losses. Additionally, transmitting light out of the prismatic surface of the prismatic element **1015b** along directions that are more normal to the non-prismatic surface **1149b** of the prismatic element **1015b** can advantageously improve diffusion efficiency of a diffuser disposed adjacent the aperture of the skylight **1100** and/or reduce light hotspots at the diffuser.

FIG. **10G** illustrates an embodiment of a skylight **1100a** including a skylight cover and a prismatic element **1015b** and a comparative example of a skylight **1100b** including only a skylight cover and no prismatic element. Both skylights **1100a** and **1100b** include a conduit **1103a** and **1103b** configured to direct natural light between a roof and an interior of the building. The conduits **1103a** and **1103b** can be configured as a tube with reflective inner sidewalls, skylight wells, or other structures configured to direct natural illumination to an interior room of a building. Light entering the conduits **1103a** and **1103b** can be reflected by the reflective inner sidewalls to provide illumination to the interior of a building. In a particular embodiment, the conduits **1103a** and **1103b** each can be cylindrical having a length of about 6 feet and a diameter of about 10 inches. The conduits **1103a** and **1103b** can each have a reflectivity of about 96%. Both skylights **1100a** and **1100b** are disposed on a section of roof that faces the pole (e.g., on a north facing side in the northern hemisphere).

An embodiment of the skylight **1100a** is positioned at 'Position C', and a comparative example of the skylight **1100b** is positioned at 'Position D'. In the illustrated embodiment, the roof can have a roof pitch (corresponding to the slope of the roof) of about 20 degrees. If the solar elevation angle is 40 degrees, a ray **1106i** of sunlight can be incident on the skylight **1100a** at an effective solar elevation of 20 degrees with respect to a plane of the non-prismatic surface of the prismatic element **1015b** as a result of the roof pitch being 20 degrees and the skylight **1100a** being positioned on the pole side of the roof. The angle of incidence of ray **1106i** with respect to a surface normal to the non-prismatic surface of the prismatic element **1015b** at the region of incidence is 70 degrees. If the riser surface of the prismatic element **1015b** is inclined at a riser angle γ_1 of about 55 degrees, then from Table A-1 it is noted that incident sunlight is refracted by the prismatic element **1015b** through the prismatic surface at an adjusted solar elevation angle of 52.8 degrees with respect to the plane of the non-prismatic surface of the prismatic element **1015b**. Thus, the adjusted solar elevation with respect to a horizontal plane parallel to the ground is the actual solar elevation (40 degrees) plus the adjusted solar elevation angle with respect

to the non-prismatic surface of the prismatic element of light refracted by the prismatic element (52.8 degrees, from Table A-1) minus the effective solar elevation angle adjusted for the slope of the roof and/or any inclination of the prismatic element **1015b** away from the plane of the roof (20 degrees). Accordingly, for the embodiment illustrated in FIG. 10G, the adjusted solar elevation with respect to a horizontal plane parallel to the ground is 40 degrees+(52.8-20) degrees which is equal to 72.8 degrees. Accordingly, the refracted ray of light **1106r** is emitted from the prismatic element **1015b** at an angle of about 72.8 degrees with respect to a horizontal plane parallel to the ground. In contrast, ray of light **1108r** that exits the comparative example skylight **1100b** without the prismatic element **1015b** will enter the conduit **1103b** at the solar elevation, an angle of 40°. Accordingly, the presence of the prismatic element **1015b** in the embodiment of the skylight **1100a** advantageously increases angle at which light enters the conduit **1103a** as compared to the angle at which light enters the conduit **1103b**.

Because of the increased angle light, the number of reflections undergone by the ray of light **1106r** that enters the conduit **1103a** is lesser than the number of reflection undergone by the ray of light **1108r** that enters the conduit **1103b**. For example, for the embodiment illustrated in FIG. 10G, ray of light **1106r** is reflected 3 times by the inner walls of the conduit **1103a** before it exits the aperture of the skylight **1100a** while ray of light **1108r** is reflected 12 times by the inner walls of the conduit **1103b** before it exits the aperture of the skylight **1100b**. Accordingly, the efficiency of light transmitted through the conduit **1103a** is about 88% for the embodiment of the skylight **1100a** while the efficiency of light transmitted through the conduit **1103a** is about 61% for the embodiment of the skylight **1100b**. Various embodiments of a skylight including a skylight cover and a prismatic element can be configured to transmit light at solar elevation angles higher than the received at solar elevation angles. In contrast, embodiments of a skylight including only a skylight cover are configured to transmit light at the received solar elevation angles.

FIG. 12 shows a cross-sectional view of a light collector **1210** including a side portion that includes a plurality of vertically arranged optical zones, or segments **1214a**, **1214b**, and **1214c**. In certain embodiments, various segments are associated with prismatic elements having different prism angles or characteristics. For example, a top segment, such as segment **1214a**, can be associated with light turning structure **1213a** configured to turn light at a relatively high angle towards the base **1218** of the light collector **1210**. This can be desirable in order to increase the percentage of light L_1 entering the top segment **1214a** that is directed through the base **1218** of the light collector **1210** and into a tube **1220**. As light entering the top segment **1214a** has a relatively farther distance to travel in order to reach the base **1218**, it can be necessary or desirable to turn such light to a relatively high angle. Relative to the prismatic structure **1215a**, the prismatic structure **1215b** that is associated with the second segment **1214b** can include prismatic angles that turn light L_2 to a lesser degree than L_1 is turned. This can be desirable due to the prismatic structure **1215b** being disposed generally closer to the base **1218**. Therefore, it may not be necessary to turn light L_2 as much to facilitate the propagation of light entering the light collector **1210** through the second segment **1214b** to a desirable degree.

The light collector can include one or more portions or segments, such as segment **1214c**, that are not associated with prismatic structures. For example, a segment, such as segment **1214c**, disposed relatively near to the base **1218**

may require relatively less turning of light, or no turning of light to achieve desirable levels of light collection. Therefore, as shown, light L_3 entering the bottom segment **1214c** may enter the tube **1220** substantially without being refracted toward the tube by the light collector **1210**.

Although the light collector illustrates three segments, a light collector in accordance with certain embodiments disclosed herein may contain any number of segments or regions. Furthermore, different segments can be associated with optical elements having varying characteristics, or can be uniform through one or more segments.

As shown in FIG. 12, the width w_c of the collector base **1218** can be greater than the width w_d of the tube **1220** at a horizontal aperture. For example, the diameter of the collector base **1218** may range from 100% to 150% or more of the width of the tube **1220**.

FIGS. 13A-C illustrate prismatic patterns for light turning features of the light collector such as prismatic elements. The prismatic elements can be formed on a surface of the collector or on a separate film which can then be adhered to the light collector. In certain embodiments, a pattern can be molded into the inside and/or outside surface of the side portion or top portion of the light collector. The pattern can be formed by any suitable method, such as by using a casting, or injection molding technique. In certain embodiments, a prismatic element, or other prismatic structure, is adhered to, connected to, or otherwise associated with the collector. FIG. 13A illustrates a prismatic pattern **1310a** having linear or horizontal grooves. FIG. 13B illustrates a prismatic pattern **1310b** having radial grooves. FIG. 13C illustrates a prismatic pattern **1310c** having curve-linear and radial grooves.

The prismatic grooves can be defined by opposing prism faces. The grooves may have a flat or curved cross-sectional shape. The prism faces can vary in depth, pitch, angles, shapes, and/or widths, depending on height and/or position. The prismatic grooves can circumscribe the entire circumference of the collector, and can be substantially uniform throughout the height or circumference, or perimeter, of a portion of the collector. prisms/grooves vary with respect to one or more parameters at different heights or points along the circumference of the collector. In certain embodiments, the various prism elements included in the light collector **1010** can have different prism angles, depending on what portion of the collector **1010** they are associated with. The prism angles can vary along the length of the prismatic grooves. As illustrated in FIG. 13C the prismatic pattern **1310c** can have a plurality of segments of the prismatic grooves. Segments can have different prismatic patterns. In the illustrated embodiment, the prismatic pattern **1310c** includes a curve-linear segment, including curved or radial grooves and linear grooves, and a radial groove segment. The prismatic pattern can include gaps or separated spaces between prismatic grooves. The separated spaces can separate individual grooves and/or segments of the prismatic pattern.

In certain embodiments, the prism elements in the light collector **1010** have uniform prism angles throughout the collector **1010**. In certain embodiments, prisms within a single region of the collector **1010** have varying prism angles. For example, it can be desirable for adjacent prisms, or adjacent groups of prisms, to include different prism angles in order to mix the light that propagates through a portion of the light collector **1010**. For example, if substantially collimated light enters a prismatic portion of a light collecting assembly that includes prisms with equal prism angles, light entering the tube can be concentrated in certain

regions. Such light concentration may cause undesirable “hot spots” in the destination area. By varying the prism angles, the effect of such hot spots can be reduced.

In certain embodiments, a flat or curved reflective panel is associated with a light collector that reflects at least a portion of sunlight that would otherwise exit the light collector through a portion generally opposite to a region of the light collector through which daylight is received. FIG. 14A provides a perspective view of an embodiment of a light reflector **1480** for disposing within, adjacent to, or in integration with, a light collecting assembly. The reflector can be made of material having high luminous reflectance. For example, the luminous reflectance of the reflector **1480** can be greater than or equal to about 0.9, greater than or equal to about 0.95, greater than or equal to about 0.98, or greater than or equal to about 0.99, when measured with respect to CIE Illuminant D₆₅. The reflector **1480** can be curved, as shown, or can be any shape configurable to reflect light propagating within or near a light collecting assembly.

As is shown in FIG. 14B, which provides a top view of the reflector **1480** of FIG. 14A, the reflector **1480** can be semi-circular in shape, such that it can be nested within a cylindrically-shaped light collector. The reflector **1480** may conform to the shape of a back portion of a light collecting assembly, and can be disposed behind a refractive lens, thereby increasing the effecting light capture area of the light collector. The reflector **1480** may provide increased transmission of captured sunlight into an optical guide tube.

The use of a curved reflector **1480** may allow for sunlight capture from a greater range of circumferential angles about the light collector. This increase in angular reflection of sunlight may provide a number of benefits, such as increased light mixing. For example, in embodiments in which sunlight enter a tube opening from a wide range of circumferential angles, the distribution of light exiting the tube can be more uniform and may reduce the presence of hot spots on a diffuser at the base of the tube. Such light mixing can prevent collimated light from reaching the diffuser prisms in such a way as to cause rainbows to appear in the building interior.

With respect to certain embodiments in which light is directed into a central feeder tube, and dispersed into multiple branch tubes, light mixing can be important in promoting the dispersion of sunlight into the various branch tubes. In certain embodiments, branch tubes each receive approximately equal amounts of light from the central feeder tube.

The collection and redirection of sunlight using a light reflector, such as the curved reflector **1480**, may substantially increase the performance of a conventional tubular daylighting device. A number of parameters may contribute to increased performance of certain embodiments of sunlight-collection systems. For example, the sunlight collection area of a light collector may affect the performance of such a system. In certain embodiments, the height and width of the collector in relation to the diameter of a tube opening into which light is directed can be determined by the refractive turning power of optical elements (e.g., integrated prisms, prismatic element or lens film, etc.) within, or associated with, the light collector. This aspect ratio of collector height to tube opening width, or diameter, may depend on the solar altitude range that is desired to capture and refract into the tube. This range can be from approximately 20 to 70 degrees for most locations in the United States. For example, using lower-end solar altitude of approximately 20 degrees as the design point for refracting light into the tube from the optical elements associated with a light collector having vertical side walls, the collector

height can be designed to an approximate range of 1.2 to 2.5 times the tube diameter. These values may vary based on material index of refraction and prism angles, among other things. As an example, a system can include a collector height of approximately 35-45 inches and a tube diameter of approximately 20-25 inches. The diameter of the collector can be approximately equal to the diameter of the tube opening, or can be larger or smaller than the diameter of the tube. The actual effective front light-capture area of the collector is associated with the direct non-reflected sun, which, in certain embodiments, can be limited to an exposure angle of approximately 90 degrees due to the off axis curvature limitation of the optics in the collector prisms.

FIG. 14C provides a cross-sectional view of the vertically-oriented planar reflector **1480**. As is shown in the figure, the angle θ_1 of direct light L_D with respect to a horizontal plane is generally equal to the angle θ_2 of reflected light L_R . In certain embodiments, it can be desirable for the reflector surface to be tilted with respect to a vertical axis to increase the reflected angle θ_2 with respect to horizontal. Furthermore, in certain embodiments, the reflector **1480** is associated with one or more prismatic surfaces that further increase the angle of reflected light. Such prisms may vary over different portions of the reflector in order to increase the amount of light received into a tube opening.

FIG. 15 illustrates a perspective view of an embodiment of daylighting device **1500** including a light collector **1510** incorporating a reflector **1580**. The daylighting device **1500** includes a light-reflecting tube **1520** disposed adjacent to the light collector **1510**. As shown, daylight L_S enters the light collector **1510** through a side portion **1514**. The light L_S is refracted by one or more optical elements associated with the side portion **1514** and turned towards an opening in the tube **1520**. In certain embodiments, the side portion **1514** is not associated with light turning characteristics, and light L_S entering the light collector **1510** propagates within the light collector at an angle substantially equal to the angle of the light L_S prior to entering the light collector **1510**. The presence of the reflector **1580** may increase the effective area of collection of one or more refractive lenses associated with the light collector and configured to turn light towards the tube **1520**.

The reflector **1580** is disposed along an inside or outside surface of the light collector **1510**, such as along a surface that is positioned substantially opposite to a direction at which light L_S may enter the light collector **1510** at one or more points during the day. For example, the reflector **1580** may generally face in a southern direction in an embodiment located at a point in the northern hemisphere. As shown, daylight L_S may enter the light collector **1510** and strike a point on the reflector **1580**. The reflector may reflect at least a portion of the daylight in the visible spectrum towards the tube opening **1528**. If not for the reflector, a substantial portions of the light L_R may instead propagate out of the tube or be absorbed by materials associated with the light collector **1510**. Therefore, inclusion of a reflector **1580** in a daylighting system **1500** may increase the amount of light transmitted through the light collector **1510** into the tube **1520**.

In certain embodiments, the reflector **1580** has one portion or more than one portion that is sloped at an angle with respect to vertical (not shown). The location of sloped portion can comprise a fraction of the overall height of the reflector **1580**, preferably in a region near the top cover portion of the collector **1510**. In some embodiments, the sloped portion angles inwardly from vertical. For example, an upper end of the sloped portion can be closer to a centroid

of the top cover portion than a lower end of the sloped portion. In some embodiments, the angle of the slope of the sloped portion can be between 1° and 10° from vertical. In some embodiments, the upper end of the sloped portion is adjacent to the top cover portion of the collector **1510**. In certain embodiments, the lower end of the sloped portion is at a position that is spaced between one-fifth and on-half of the height of the collector from the top cover portion. For example, the sloped portion can extend a portion of the reflector from the top of the reflector to up to 50% of the height of the collector. In some embodiments, the sloped portion is not greater than $\frac{1}{3}$ of the height of the collector. In some embodiments, the angle of the sloped portion varies along the height of the sloped portion. For example, the angle of the slope at the top of the collector may be greater than the angle of the slope at the bottom of the sloped portion. In some embodiments, the sloped portion may have two or more portions with each portion having a different angle. In a non-limiting example embodiment, the collector height is 20 inches, the sloping portion of the reflector extends 6 inches from the top and is sloped inward at 5 degrees from vertical.

FIG. **16** illustrates a perspective view of an embodiment of daylighting system **1600** including a light collector **1610** incorporating a reflector **1680**. The reflector **1680** can include characteristics allowing for pass-through transmission of certain amounts of light of certain wavelengths. For example, in certain embodiments, the reflector **1680** is at least partially transparent with respect to light in the infrared spectrum. Sunlight includes infrared light and visible light. In general, infrared light transfers thermal energy but provides little or no advantage when the goal is illumination. A daylighting device that directs infrared light into a building can substantially increase temperatures within the building without providing any measurable illumination benefit. In some embodiments, a light collector includes a reflector that allows at least a portion of infrared light that is incident on its surface to pass through the reflector and out of the light collector **1610**, rather than reflecting such light in the direction of the tube **1620**. In certain embodiments, a light collector **1610** is configured to capture and remove at least a portion of infrared light incident on the collector and/or other spectral wavelengths that do not contribute to visible illumination. In such embodiments, the light collector **1610** can simultaneously turn a substantial portion of visible light, such as, for example, greater than or equal to 95%, greater than or equal to 98%, or greater than or equal to 99% of visible light, towards a daylighting aperture formed in the base of the collector **1610**.

The dashed line in FIG. **16** shows a possible path of sunlight that is captured by the light collector **1610**. When incident on an outside surface of the collector **1610**, the sunlight includes visible and infrared light. At least a portion of the light incident on the surface of the at least partially transparent light collector **1610** passes into the interior of the light collector **1610**. The light propagates within the light collector **1610** until it strikes a reflector **1680** positioned to receive at least a portion of the light entering the light collector **1610**. In certain embodiments, the reflector **1680** is disposed along an inner or outer surface of a substantially vertical sidewall the light collector **1610**. In some embodiments, the light transmits through a second transparent sidewall of the light collector before propagating to a surface of the reflector **1680**. The reflector **1680** is configured to turn at least a portion of the light in a direction generally towards an opening of a tube **1620** positioned to receive light that exits the daylight collector **1610** through a daylighting

aperture in the base of the collector. In some embodiments, the reflector **1680** is at least partially transparent to infrared light L_{IR} . In such embodiments, a portion of the infrared light L_{IR} transmits through the reflector **1680** and exits the light collector **1610**, propagating away from the opening of the tube **1620**.

In certain embodiments, the reflector **1680** is configured to transmit wavelengths other than infrared. For example, the reflector **1680** can partially reflect and partially transmit visible light. As another example, the reflector **1680** can reflect most or substantially all visible light while transmitting and/or absorbing at least a portion of ultraviolet light.

FIG. **17A** illustrates an embodiment of a light collector **1710** having a transparent assembly and a reflective assembly. The light collector **1710** includes a transparent assembly **1711** that is at least partially transparent to daylight incident on its surface. For example, the transparent assembly **1711** can include a sheet of substantially clear acrylic in a semi-circular, curved, planar, and/or segmented configuration. The reflective assembly **1780** can include material for reflecting at least a portion of light incident on one or more of its surfaces. For example, the reflective assembly **1780** can be a semi-circular, curved, planar, and/or segmented reflector. In certain embodiments, the reflective assembly **1780** includes aluminum, reflective film, a metallic reflector, other reflective materials, other optical elements, or a combination of optical elements.

The transparent portion **1711** and the reflector assembly **1780** can be connected at a seam **1730** to form a combined structure, such as an enclosed cylinder or other shape. The structures can be combined in any suitable manner. For example, the structures can be adhered together through the use of an adhesive substance, or by welding or other technique. In certain embodiments, the structures **1711**, **1780** are connected using one or more physical connection structures, such as clips, slots, staples, and the like. For example, as shown in FIG. **17B**, which provides a top view of a portion of the light collector **1710**, one or more end portions of the respective structures can include male/female slot connecting members for connecting two or more structures. Such a configuration may allow for connection of structures without the need of additional separate connecting devices or materials.

FIG. **18** illustrates an embodiment of a light collector **1810** having a transparent portion and a reflector assembly. Depending on material characteristics of the reflector assembly **1880**, portions of the reflector assembly, or any other component of the light collector **1810**, may absorb thermal energy from light (e.g., infrared light) coming in contact therewith. For example, in certain embodiments, the reflector assembly can include aluminum. Heat absorbed by such a structure may contribute to undesirable heating within a light collector, daylighting system and/or interior of a building.

In certain embodiments, an outside surface **1881** of at least a portion of the light collector **1810** is coated or covered with a layer of material having a relatively high thermal emissivity factor, serving to aid in the transfer of thermal energy away from the light collector **1810**. The emissivity factor is related to the ratio of absorbed thermal energy to reflected and/or transmitted thermal energy. In certain embodiments, the outside surface **1881** is in thermal communication with a material having an emissivity factor of greater than about 0.9. Furthermore, high-emissivity material(s) used in connection with a light collector such as that depicted in FIG. **18** may have varying emissivity characteristics for different wavelengths of light. For

example, a material can be configured to transmit a relatively high percentage of energy in the infrared spectrum. Material in thermal communication with outer surface **1881** can be in the form of paint or other coating, or can be a sheet or film disposed in the surface **1881**. Other components of the daylighting system, such as a daylight-reflective tube, can be coated or lined with high-emissivity materials in order to draw heat away from the interior of the daylighting system, thereby reducing unwanted heating. Examples of types of high-emissivity materials that can be used in connection with a daylighting apparatus include various types of glass (e.g., frosted glass), plastic, sheet metal, paint, powders (e.g., graphite powder), lacquer, or tape (e.g., electrical tape) having high-emissivity characteristics, and can be black or white in color. High-emissivity material can be used in connection with various embodiments of light collecting assemblies as disclosed herein, including light collectors of having any suitable shape or including any suitable material or combination of materials.

FIG. **19** illustrates an embodiment of a light collector **1910** in a daylighting system **1900**. The light collector includes three vertically-arranged optical zones, or segments **1914a**, **1914b** and **1914c**. The segments **1914a**, **1914b** and **1914c** can be of uniform height, or the heights of different segments may vary. In certain embodiments, each segment is approximately 10-15 inches tall. For example, the segments **1914a**, **1914b** and **1914c** can be approximately 12 inches in height. In certain embodiments, a bottom segment, such as segment **1914c**, has a greater height than other segments to accommodate attachment of the light collector **1910** to a flashing. For example, the bottom segment **1914c** may have a height of about 14 inches. Furthermore, the light collector can include a lip, or fringe *f* that extends beyond the opening of the tube **1920**.

Although three segments are shown, a light collector can include any suitable number of segments or portions. In certain embodiments, different segments can be associated with different optical refraction, transmission and/or reflection characteristics. For example, in some embodiments, at least a portion of the top segment **1914a** is associated with a prismatic element **1915**, or other optical element or elements. As shown in FIG. **19**, the prismatic element **1915** may extend around more than half the circumference of a generally cylindrically-shaped light collector **1900**. In certain embodiments, the prismatic element **1915** extends around approximately 270° of the cylindrically shaped collector **1910**, and may generally face a direction from which daylight enters the collector **1910**, as shown. Providing prismatic element that extends beyond 180° of the perimeter of the light collector may allow for capture of a wider spectrum of light. In certain embodiments, the prismatic element **1915** circumscribes the entire perimeter of the light collector **1910**, at least with respect to the top segment **1914a**.

In the depicted embodiment, the middle segment **1914b** is also associated with light turning structure **1915**, such as prismatic element. A prismatic element **1915** can extend along approximately 50%, or 180°, of the perimeter of the light collector **1910**, as shown, and can generally face a direction from which daylight enters the collector **1910**. The prismatic element **1915** can be a unitary structure that can extend from segment **1914a** to **1914b**, or can be separate sheets or films. The prismatic element **1915** can include prisms having similar or different light-turning characteristics. In certain embodiments, the segment of the prismatic element **1915** positioned in segment **1914a** is configured to

turn daylight to a greater degree than the segment of the prismatic element **1915** positioned in segment **1914b**.

Collector segment **1914c** can be associated with light-turning prismatic structure, or may not, depending on collector **1910** characteristics. For example, as shown, the segment **1914c** may allow for daylight to pass into the collector **1910** without substantially altering an angle of the daylight with respect to a horizontal plane. Therefore, the segment **1915c** may present a substantially clear acrylic material without additional optical elements to daylight entering therein.

In addition to, or in place of, a light turning structure **1915**, one or more portions or segments of the light collector **1910** can be associated with a reflector assembly **1980**. In the embodiment shown in FIG. **19**, a reflector **1980** is disposed in proximity to an inside surface of the sidewall of the light collector **1910** along portions of light collector segments **1914a**, **1914b**, and **1914c**. It can be desirable to include one or more reflectors in at least a lower portion of the light collector **1910** because light striking a reflector in a lower portion of the light collector **1910** can be more likely to reflect into the tube **1920** rather than exiting out the opposite side of the collector. For example, in an embodiment including a reflector in the top segment **1914a**, light striking the reflector at a point in segment **1914a** may have a further distance to travel in order to reach the tube **1920**. Therefore, the angle of trajectory may carry the light out of the collector before it reaches the tube **1920**. In certain embodiments, a segment of the collector **1920** is not associated with the reflector assembly **1980**. In some embodiments, a light collector **1910** having a reflector **1980** can have a height that is greater than or equal to about twice the height of a light collector that does not have a reflector. In some embodiments, a light collector **1910** having a reflector **1980** limits the collection of light at sun azimuthal angles greater than 60 to 90 degrees when the reflector **1980** is facing south.

Reflective characteristics of the reflector **1980** may vary in different portions or segments of the reflector. Furthermore, while FIG. **19** shows the reflector as a singular piece, the reflector can include distinct pieces or structures. The reflector **1980**, or portions of the thereof may span any suitable portion of the circumference, or perimeter, of the light collector **1910**. In certain embodiments, the reflector **1980** spans approximately 180° of the light collector's perimeter, as shown. The reflector can be positioned generally at a back portion of the light collector with respect to a direction from which daylight enters the light collector **1910**. In certain embodiments, and under certain daylight conditions, the light collector **1910** and reflector **1980** can be configured such that approximately 85% or more of the light entering the collector will be directed to the reflector **1980**, and can allow for the removal of infrared light from daylight before the daylight enters the tube **1920**.

The reflector **1980** can be constructed from a material system that has high luminous reflectance and high transmittance of infrared light. The finish of the reflector **1980** can be specular or have any desired level of specularity. Wavelength-selective light reflectance can be achieved using any suitable materials. Examples of wavelength-selective material systems include dielectric coatings and/or multi-layer films that use small differences in refractive index between many layers of the film to achieve desired optical properties. Multi-layer films can include coextruded stacks of two or more polymers having different refractive indices. FIG. **24** shows the reflectivity profile of a multi-layer film, 3M Daylighting Film DF2000MA, which is available from

the 3M Company of Maplewood, Minn., USA. This polymeric film is an example of a multi-layer film that can be part of the material system of the reflector **1980** or as the reflector **1980**. The reflectivity profile of an enhanced silver coating is also shown. The multi layer film provides very high reflectivity in the visible region, having a luminous reflectance greater than 99% when measured with respect to CIE Illuminant D₆₅. The film has substantially lower reflectivity of infrared light; the reflectivity of infrared light is less than or equal to about 20%. The reflectivity of ultraviolet light is also substantially lower than the reflectivity of visible light. In comparison, the enhanced silver coating has lower luminous reflectance and infrared light reflectivity greater than 90%.

After infrared light is transmitted through a wavelength-selective reflector **1980**, the infrared light can transmit through an infrared transmissive material, such as, for example, acrylic or PET. In some embodiments, the sidewall of the collector **1910** is made from an infrared transmissive material. In some embodiments, the infrared light is absorbed after transmitting through a wavelength-selective reflector **1980**. In such embodiments, the infrared light can be absorbed by an infrared absorbing paint or adhesive positioned to receive the infrared light after it transmits through the reflector **1980**. In some embodiments, the infrared paint or adhesive is adhered to a metal substrate. The metal substrate can form a portion of the sidewall of the collector that is not transparent (e.g., a portion of the sidewall configured to face away from direct sunlight). The metal substrate can be heated by the paint or adhesive when it absorbs infrared light, and the infrared light can then be reemitted in a direction generally away from the daylighting aperture **1918** and the tube **1920**.

In some embodiments, an exterior surface of the portion of the sidewall of the collector **1910** that absorbs infrared light has high emissivity. High emissivity can be obtained by applying a high emissivity material, such as paint, to the surface, or by performing another type of surface treatment, such as anodization. At least some anodized metals exhibit high emissivity, and such metals can form at least a portion of the exterior surface of the light collector **1910**. A high emissivity surface can also be provided on the outside surface of the tube **1920**, which can permit the tube **1920** to readily reemit infrared radiation absorbed by the tube **1920** out of the daylighting device **1900**.

In certain embodiments, the daylighting device **1900** is configured to reject heat during summer months, when the solar altitude is higher, and to direct heat into the building being illuminated by the daylighting device during winter months, when the solar altitude is lower.

A daylighting device incorporating a light collector in accordance with the embodiments described above can be configured to maintain an illumination level within a range of about $\pm 20\%$ of a given value throughout a period of interest, such as the hours from around 9:00 am to 3:00 pm. Furthermore, such a device may provide around 20,000 lumens of light, or more, at a given time, depending on, among other things, external daylight conditions.

FIG. 20 illustrates an embodiment of a light collector **2010**. The figure shows two vertically-arranged zones, or segments, 'A' and 'B.' The segments A and B can be of uniform height, or the heights of different segments may vary. In certain embodiments, the segment A represents a portion of a vertical side portion of the light collector **2010** that is associated with prismatic structure **2015a**, at least over some portion of the circumference or perimeter of the side portion. Furthermore, the segment B may represent a

portion of the vertical side portion of the light collector **2010** that is not associated with prismatic structure. The light collector **2010** can include a back half-cylinder portion, which can include reflective properties. For example, at least a portion of the back portion **2080** can include or be associated with aluminum, or other reflective material. In certain embodiments, the vertical walls of the light collector **2010** can be configured to capture daylight having a solar altitude of approximately 20°-50°.

The light collector **2010** can include a substantially clear dome-shaped cover portion **2012**. The cover portion **2012** can be configured to capture daylight having a solar altitude of approximately 30°-90°. The combination of vertical side-wall and dome-shaped cover portions may provide improved performance during both clear and cloudy weather conditions.

In general, with respect to a light collector embodiments in accordance with FIG. 20, greater performance at lower solar elevations (e.g., 20°-40°) can be achievable with higher aspect ratios (i.e., height of vertical collector portion C vs. width of tube opening w_t). With respect to daylight at solar altitudes greater than 40°, the horizontal daylight-collection surface provided by the cover **2012** may provide the majority of daylight capture. In certain embodiments, an aspect ratio of approximately 1.9 will produce approximately 40% or more improvement in captured light at 20° and/or 30° when compared to an aspect ratio of approximately 1.3 or less. However, performance at 40°-90° may remain approximately steady for both configurations.

Design considerations in manufacturing daylight collectors in accordance with one or more embodiments disclosed herein may take into consideration various cost-related and/or other factors. For example, different materials that can be selected for incorporation in a daylight collector can be available at different prices. Furthermore, different materials may have different physical properties contributing to the performance and/or ease of manufacturing of various components of the collector. Therefore, certain information about the physical dimensions of a light collector can be useful in making design or other decisions. Table E provides example physical specifications for a number of possible embodiments of daylight collectors. The dimensions provided in Table E correspond to the areas and dimensions called out in FIG. 20. Table E provides size and area information that can be helpful in assessing cost/performance issues associated with the respective embodiments, as well as other embodiments.

TABLE E

Collector Type	High Aspect Ratio	Scaled-Up High Aspect Ratio	Low Aspect Ratio	Scaled-Up Low Aspect Ratio
Collector Diameter (W_c)	23"	27.3"	23"	27.3"
Tube Diameter (W_t)	21"	25.3"	21"	25.3"
A	23.6"	28.2"	10.4"	12.5"
B	18.0"	21.1"	18.0"	21.1"
C	41.6"	49.3"	28.4"	33.6"
Cover (2012) Surface Area	2.88 ft ²	4.09 ft ²	2.88 ft ²	4.09 ft ²
Front Prismatic Portion (2015a) Area	5.9 ft ²	8.40 ft ²	2.6 ft ²	3.7 ft ²

TABLE E-continued

Collector Type	High Aspect Ratio	Scaled-Up High Aspect Ratio	Low Aspect Ratio	Scaled-Up Low Aspect Ratio
Front Prismatic Portion (2015a) Size	23/6" × 36.1"	28.2" × 42.8"	10.4" × 36.1"	12.5" × 42.8"
Back Portion (2080) Area	10.4 ft ²	14.7 ft ²	7.2 ft ²	10.0 ft ²
Back Portion (2080) Size	41.6" × 36.1"	49.3" × 42.8"	28.4" × 36.1"	33.6" × 42.8"

The values provided in Table E are approximations of various possible daylight collector dimensions, and are not limiting on the scope of the disclosure in any way. Furthermore, although certain values are provided in the table, the respective collector dimensions need not conform in any way to such values, and can be configured to be any suitable dimensions. As shown in the table, construction of a daylight collector may demand more than 8 ft² of prismatic material, as well as more than 14 ft² of reflective back portion material. Therefore, costs associated at least with such materials/areas may represent a significant factor in daylight collector design.

In certain embodiments, a light collector in accordance with one or more embodiments described herein can be configured such that fabrication and/or installation of the collector are simplified. For example, the side portion of a light collector **2014** can be formed from a substantially flat or curved sheet that can be formed into a generally cylindrical shape, as shown by the top view of FIG. **21A**. Such a configuration, as installed, may have a singular vertical seam that can be, for example, secured by an attaching member **2019**, or in any other suitable way.

FIG. **21B** shows top view of an embodiment of a portion of a light collector, wherein the circumference of the light collector is made up of multiple segments **2114a**, **2114b** and **2114c**, that can be attached in any suitable manner, such as by using attaching members **2119a**, **2119b**, and/or **2119c**. With respect to the embodiments depicted in both FIGS. **21A** and **21**, a flat, slightly curved, or otherwise shaped top cover can be placed on the collector top.

FIG. **22** illustrates a packaging configuration for one or more curved light collector portions. For example, with respect to the embodiments of FIGS. **20** and **21**, which can include one or more curved panels that can be formed into a cylinder or other shape, such panels can be disposed in a stacked configuration in a package **2290** for shipping, transporting, storing, or for other purposes. FIG. **23** illustrates a packaging configuration in which one or more curved panels **2314a**, **2314b**, **2314c** are concentrically arranged in a package **2390**. The packages shown can allow space for prismatic and/or reflective components, or any other components, associated with a daylighting device. Such packaging configurations may reduce cost and/or effort associated with the manufacture, transportation, and/or installation of one or more components of a daylighting device.

At least some of the embodiments disclosed herein may provide one or more advantages over existing lighting systems. For example, certain embodiments effectively allow increased daylight capture through the use of a light collector incorporating one or more prismatic elements and/or reflective elements. As another example, some embodiments provide techniques for directing light to a building interior using a light collector having a height greater than the width of an opening in the building, or of a

base aperture of the collector, through which light is transmitted. The height of the collector may provide an increased target light capture area. Certain embodiments may provide additional benefits, including reducing the incident angle at the diffuser of light propagating through the daylighting device, which can result in the diffuser operating with higher optical efficiency.

Discussion of the various embodiments disclosed herein has generally followed the embodiments illustrated in the figures. However, it is contemplated that the particular features, structures, or characteristics of any embodiments discussed herein can be combined in any suitable manner in one or more separate embodiments not expressly illustrated or described. It is understood that the fixtures disclosed herein can be used in at least some systems and/or other lighting installations besides daylighting systems.

It should be appreciated that in the above description of embodiments, various features are sometimes grouped together in a single embodiment, figure, or description thereof for the purpose of streamlining the disclosure and aiding in the understanding of one or more of the various inventive aspects. This method of disclosure, however, is not to be interpreted as reflecting an intention that any claim require more features than are expressly recited in that claim. Moreover, any components, features, or steps illustrated and/or described in a particular embodiment herein can be applied to or used with any other embodiment(s). Thus, it is intended that the scope of the inventions herein disclosed should not be limited by the particular embodiments described above, but should be determined only by a fair reading of the claims that follow.

The following is claimed:

1. A skylight comprising:

a skylight cover;

a prismatic element configured to refract at least a portion of light that passes through the skylight cover, wherein the prismatic element comprises a non-prismatic surface and a prismatic surface, wherein the prismatic surface is opposite the non-prismatic surface, and wherein the non-prismatic surface is positioned between the prismatic surface and the skylight cover, wherein the prismatic surface comprises at least one prism having a riser surface and a draft surface, wherein a riser angle of the riser surface is from 35 degrees to 43 degrees or from 47 degrees to 85 degrees relative to a surface normal to the non-prismatic surface; and

an element positioning assembly configured to:

position the skylight cover over an opening in a roof of a building;

dispose the prismatic element relative to a plane of the roof such that an angle formed at an intersection of a second plane containing the prismatic element and the plane of the roof is from 0 to 40 degrees, and orient the prismatic element so that the riser surface faces the sun and directs daylight into the opening in the roof.

2. The skylight of claim **1**, wherein the draft surface has a draft angle, wherein the riser angle is different from the draft angle.

3. The skylight of claim **2**, wherein the riser angle is between 45 degrees and 55 degrees.

4. The skylight of claim **1**, wherein the prismatic element comprises a prismatic film having at least one surface positioned parallel to the skylight cover.

5. The skylight of claim **1**, wherein the prismatic element comprises a plurality of prismatic grooves.

6. The skylight of claim 5, wherein at least a portion of the plurality of prismatic grooves are formed in at least one of a radial pattern, a linear pattern, or a curve-linear pattern.

7. The skylight of claim 1, wherein the prismatic element is positioned up to 40 degrees from horizontal.

8. The skylight of claim 7, wherein the prismatic element is positioned substantially parallel to the plane of the roof.

9. The skylight of claim 1, wherein the skylight cover is angled relative to the plane of the roof, the skylight cover having a pole side and an equatorial side, the equatorial side being positioned closer to the equator and the pole side being opposite the equatorial side, wherein the pole side of the skylight cover is offset from the roof, and the equatorial side is positioned closer to the roof than the pole side.

10. The skylight of claim 1, wherein the skylight cover is clear, and wherein the skylight cover is substantially flat, angled, or at least partially dome-shaped.

11. The skylight of claim 1, wherein the prismatic element is integrated with the skylight cover.

12. A skylight assembly comprising:

a skylight cover;

a prismatic element configured to refract at least a portion of light that passes through the skylight cover, wherein the prismatic element comprises a non-prismatic surface and a prismatic surface, wherein the prismatic surface is opposite the non-prismatic surface, and wherein the non-prismatic surface is positioned between the prismatic surface and the skylight cover; and

an element positioning assembly configured to position the skylight assembly over an opening in a roof of a building;

dispose the prismatic element relative to a plane of the roof such that an angle formed at an intersection of a second plane containing the prismatic element and the plane of the roof is from 0 to 40 degrees, and orient the prismatic element so that the riser surface faces the sun and directs daylight into the opening in the roof.

13. The skylight assembly of claim 12, wherein the positioning assembly includes at least one of: an adhesive that bonds the prismatic element to the skylight cover; a frame that holds the prismatic element within 6 inches of the skylight cover; a spacer configured to be positioned between the prismatic element and the skylight cover; a tab or slot for attachment to the prismatic element; or an adhesive that bonds the prismatic element to a portion of the skylight assembly near the skylight cover.

14. The skylight assembly of claim 12, wherein angling the prismatic element forms a raised side of the prismatic element along at least one edge of the prismatic element, wherein the raised side is a side other than the side of the prismatic element closest to the equator.

15. The skylight assembly of claim 12, wherein the prismatic element is aligned with the angle of the skylight cover.

16. The skylight assembly of claim 12, wherein the position of the prismatic element less than or equal to six inches from the plane of the roof.

17. A method of installation of a skylight assembly, the method comprising:

providing a skylight assembly, the assembly comprising a skylight cover; and

a prismatic element configured to refract at least a portion of light that passes through the skylight cover, wherein the prismatic element comprises a planar surface and a prismatic surface, wherein the prismatic surface is opposite the planar surface, and wherein the planar surface is positioned between the prismatic surface and the skylight cover, wherein the prismatic surface comprises at least one prism having a riser surface and a draft surface;

positioning the skylight assembly over an opening in a roof of a building;

orienting the skylight so that the riser surface faces the sun and directs daylight into the opening in the roof when the skylight is installed as part of a skylight installation; and

positioning the prismatic element so that no portion of the prismatic element is above six inches of the plane of the roof.

18. The method of claim 17 further comprising angling the prismatic element up to 40 degrees relative to the plane of the roof.

19. The method of claim 17 further comprising securing the prismatic element within the skylight assembly.

20. The method of claim 19, wherein securing the prismatic element further comprises at least one of: bonding the prismatic element to the skylight cover using an adhesive; attaching the prismatic element to a frame that holds the prismatic element within 6 inches of the skylight cover; positioning a spacer between the prismatic element and the skylight cover; attaching the prismatic element a tab or slot within the skylight assembly; or bonding the prismatic element to a portion of the skylight assembly near the skylight cover using an adhesive.

21. A skylight assembly comprising:

a skylight cover;

a prismatic element configured to refract at least a portion of light that passes through the skylight cover, wherein the prismatic element comprises a non-prismatic surface and a prismatic surface, wherein the prismatic surface is opposite the non-prismatic surface, and wherein the non-prismatic surface is positioned between the prismatic surface and the skylight cover; and

an element positioning assembly configured to position the skylight assembly over an opening in a roof of a building;

position the prismatic element so that no portion of the prismatic element is greater than or equal to about six inches above a plane of the roof, and

orient the prismatic element so that the riser surface faces the sun and directs daylight into the opening in the roof.

22. The skylight of claim 21, wherein the prismatic element is positioned below the plane of the roof.