

US007954281B2

(12) **United States Patent**  
**Jaster**

(10) **Patent No.:** **US 7,954,281 B2**  
(45) **Date of Patent:** **Jun. 7, 2011**

(54) **SKYLIGHT TUBE WITH INFRARED HEAT TRANSFER**

(75) Inventor: **Paul Jaster**, Carlsbad, CA (US)

(73) Assignee: **Solatube International, Inc.**, Vista, CA (US)

(\*) Notice: Subject to any disclaimer, the term of this patent is extended or adjusted under 35 U.S.C. 154(b) by 856 days.

(21) Appl. No.: **11/595,381**

(22) Filed: **Nov. 8, 2006**

(65) **Prior Publication Data**

US 2008/0104903 A1 May 8, 2008

(51) **Int. Cl.**  
**E04B 7/18** (2006.01)

(52) **U.S. Cl.** ..... **52/200; 428/34**

(58) **Field of Classification Search** ..... **52/200;**  
**428/457; 359/359, 577**  
See application file for complete search history.

(56) **References Cited**

**U.S. PATENT DOCUMENTS**

4,372,292	A *	2/1983	Ort	126/622
5,099,622	A	3/1992	Sutton	
5,239,406	A *	8/1993	Lynam	359/275
5,360,659	A *	11/1994	Arends et al.	428/216
5,896,712	A *	4/1999	Chao	52/200
5,896,713	A *	4/1999	Chao et al.	52/200

RE36,496	E *	1/2000	Sutton	52/200
6,014,845	A *	1/2000	Jain et al.	52/200
6,035,593	A *	3/2000	Chao et al.	52/200
6,113,255	A	9/2000	Shalit	
6,256,135	B1 *	7/2001	Tench et al.	359/271
6,297,907	B1 *	10/2001	Wang	359/585
6,391,400	B1 *	5/2002	Russell et al.	428/34
6,528,782	B1 *	3/2003	Zhang et al.	250/226
6,691,701	B1	2/2004	Roth	
2003/0026988	A1	2/2003	Lynch et al.	
2004/0191540	A1 *	9/2004	Jakobi et al.	428/457
2005/0099678	A1 *	5/2005	Wang	359/359
2006/0191214	A1	8/2006	Rillie	
2007/0163732	A1 *	7/2007	Konstantin et al.	160/237
2009/0167971	A1 *	7/2009	Powers et al.	349/18

**FOREIGN PATENT DOCUMENTS**

EP 572411 8/2003

\* cited by examiner

*Primary Examiner* — Eileen Lillis

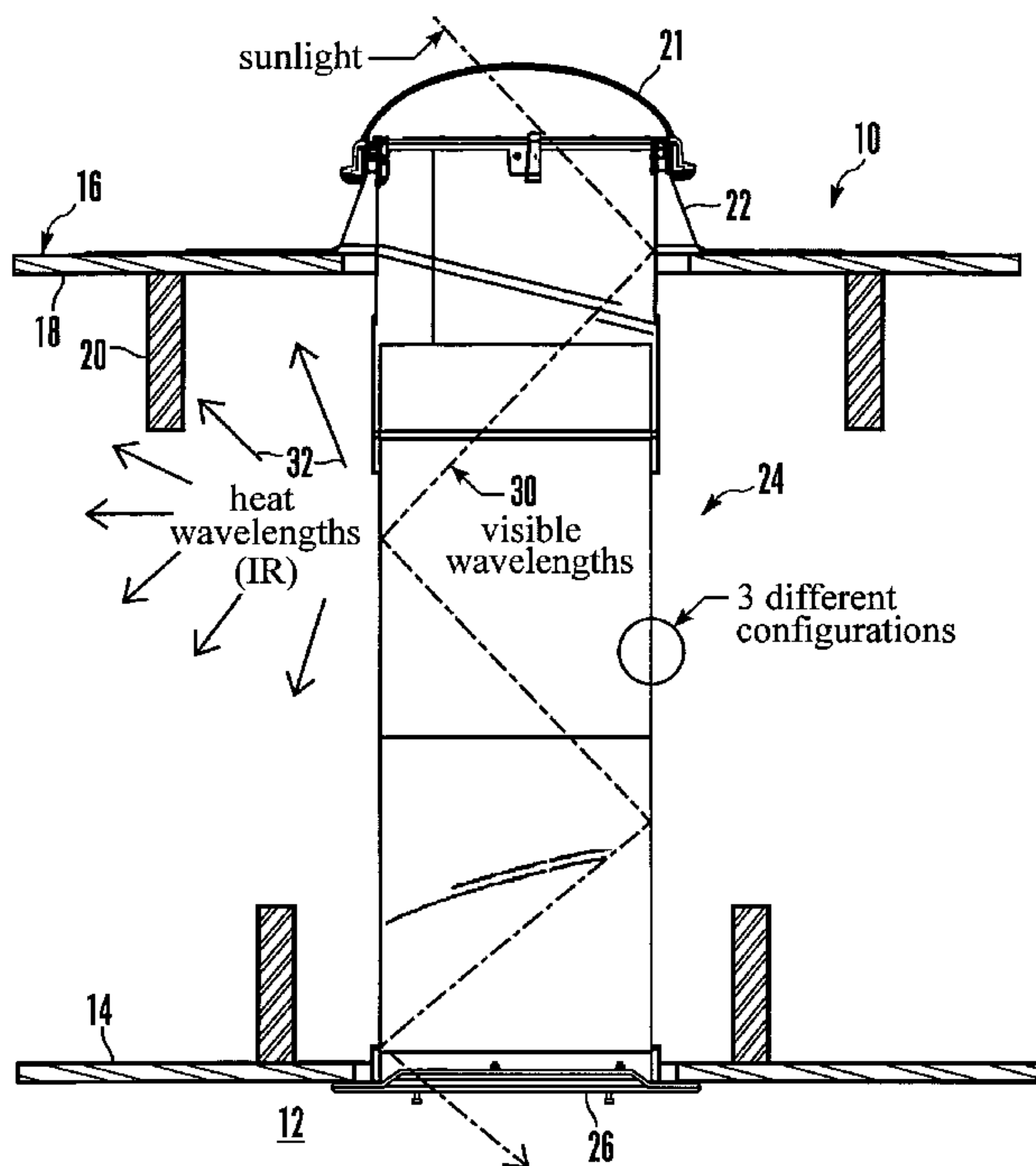
*Assistant Examiner* — Alp Akbasli

(74) *Attorney, Agent, or Firm* — John L. Rogitz

(57) **ABSTRACT**

A skylight shaft substrate has a film or coating on its inside surface that reflects visible light while transmitting IR to the tube substrate, which can have a satin black and/or other IR absorbing interior and anodized or other high emissivity exterior to convey heat across the tube so that light is transmitted down the tube but heat transmission is directed through the tube to minimize heating the illuminated space. Or, heat may propagate up through the tube and exit through a clear plastic dome covering the tube.

**10 Claims, 4 Drawing Sheets**



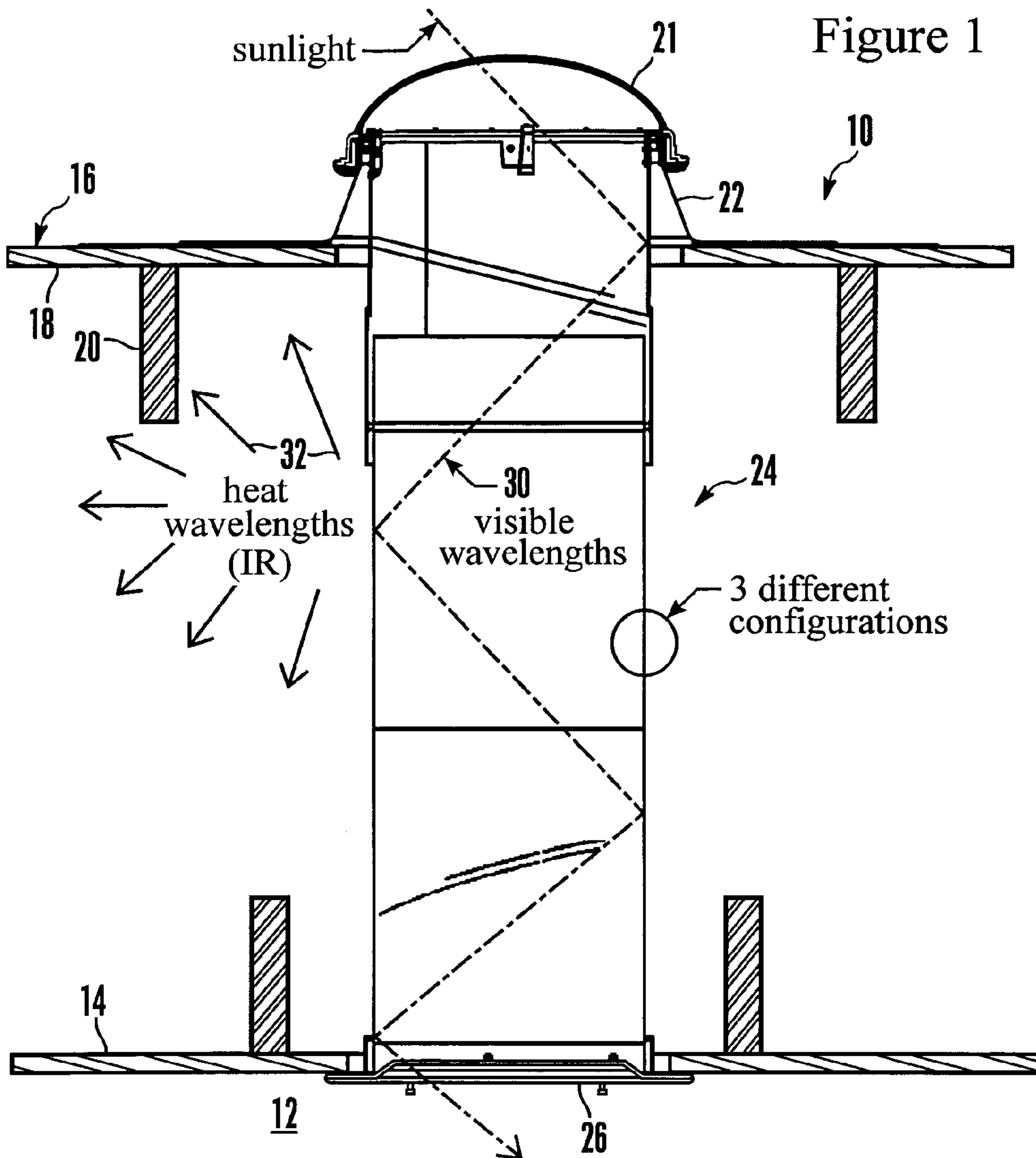


Figure 1

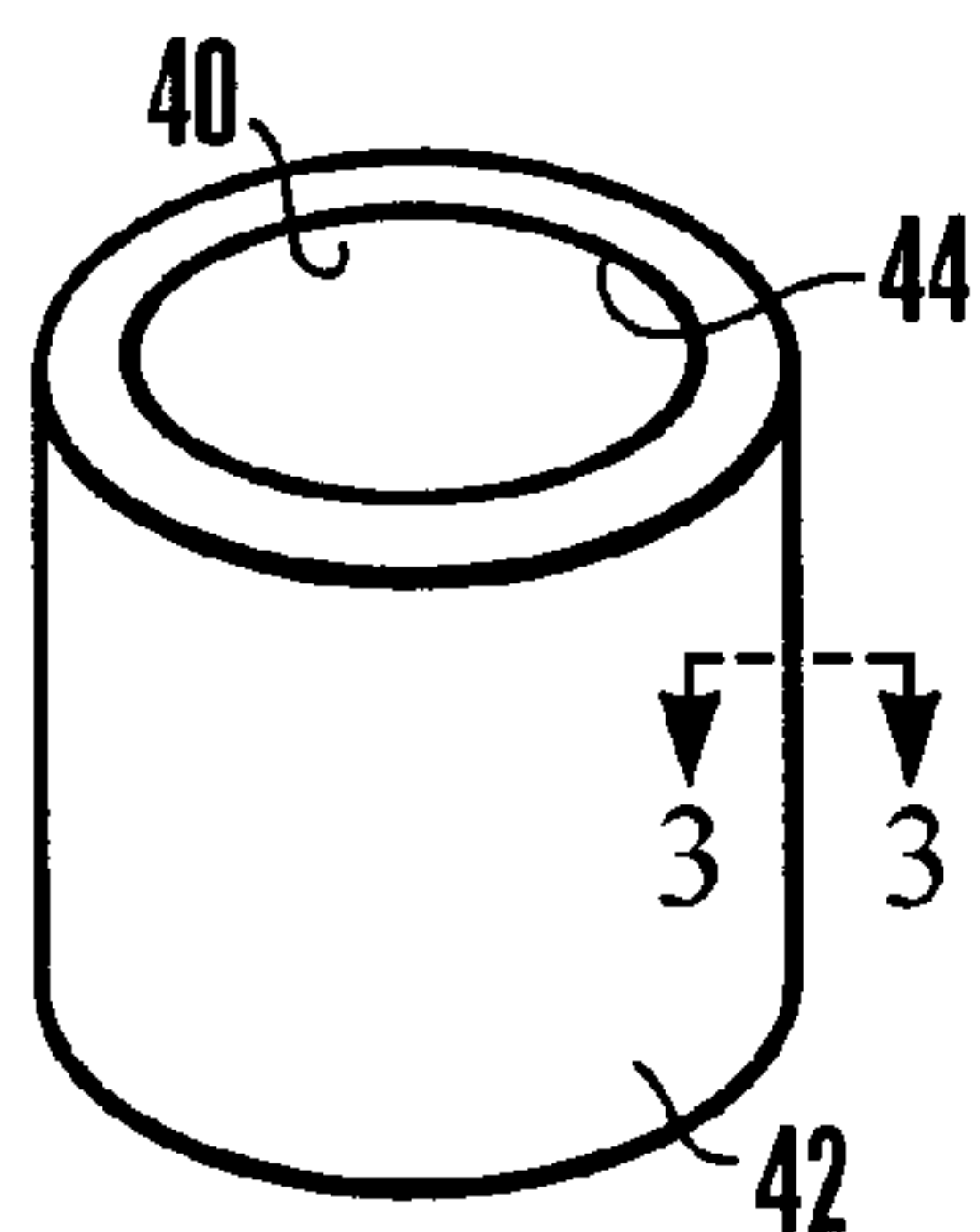


Figure 2

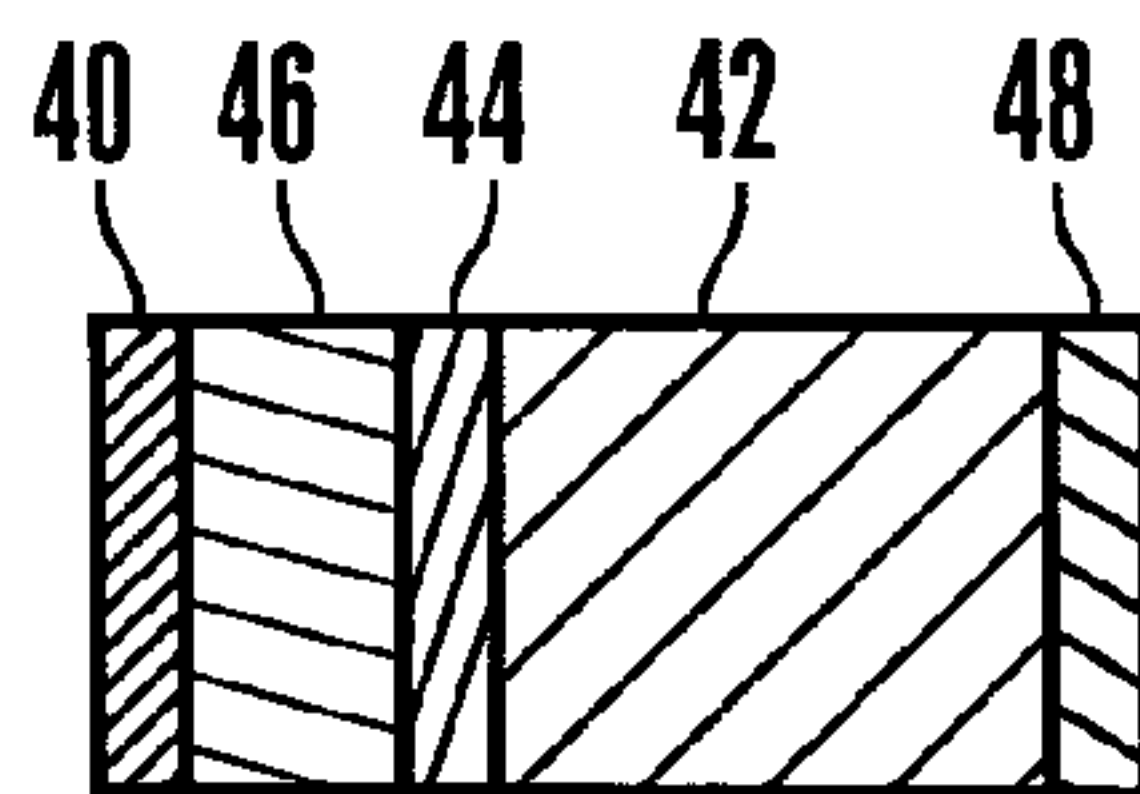


Figure 3

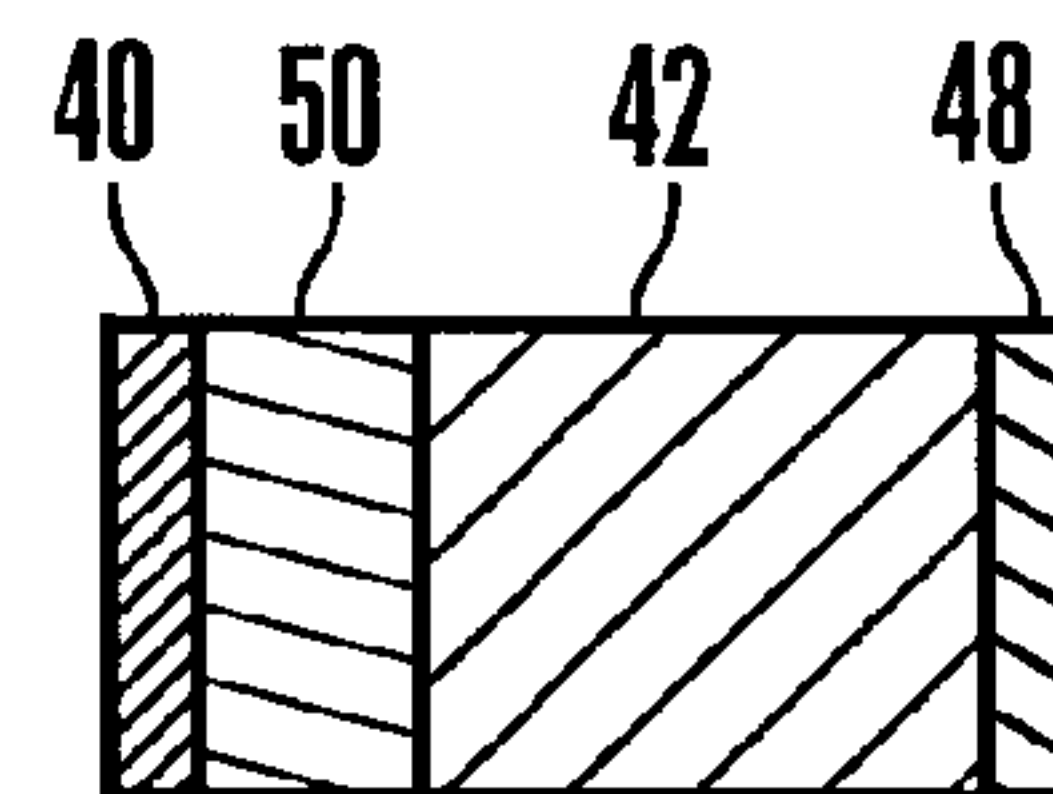


Figure 4

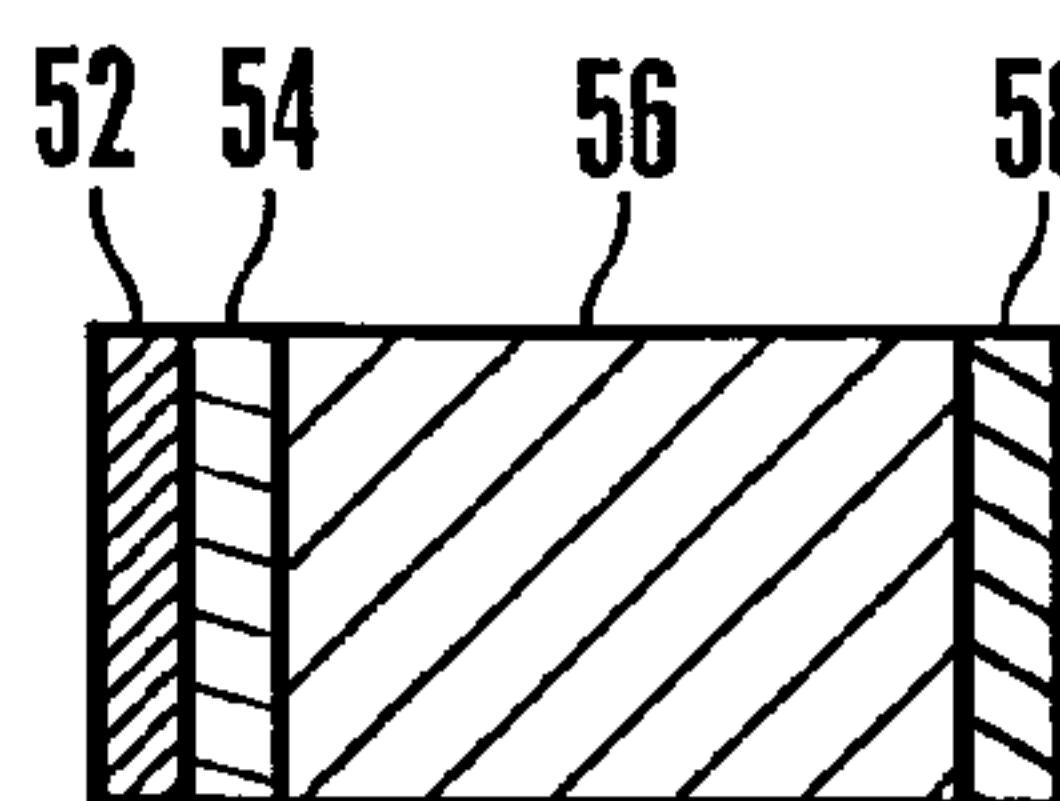


Figure 5

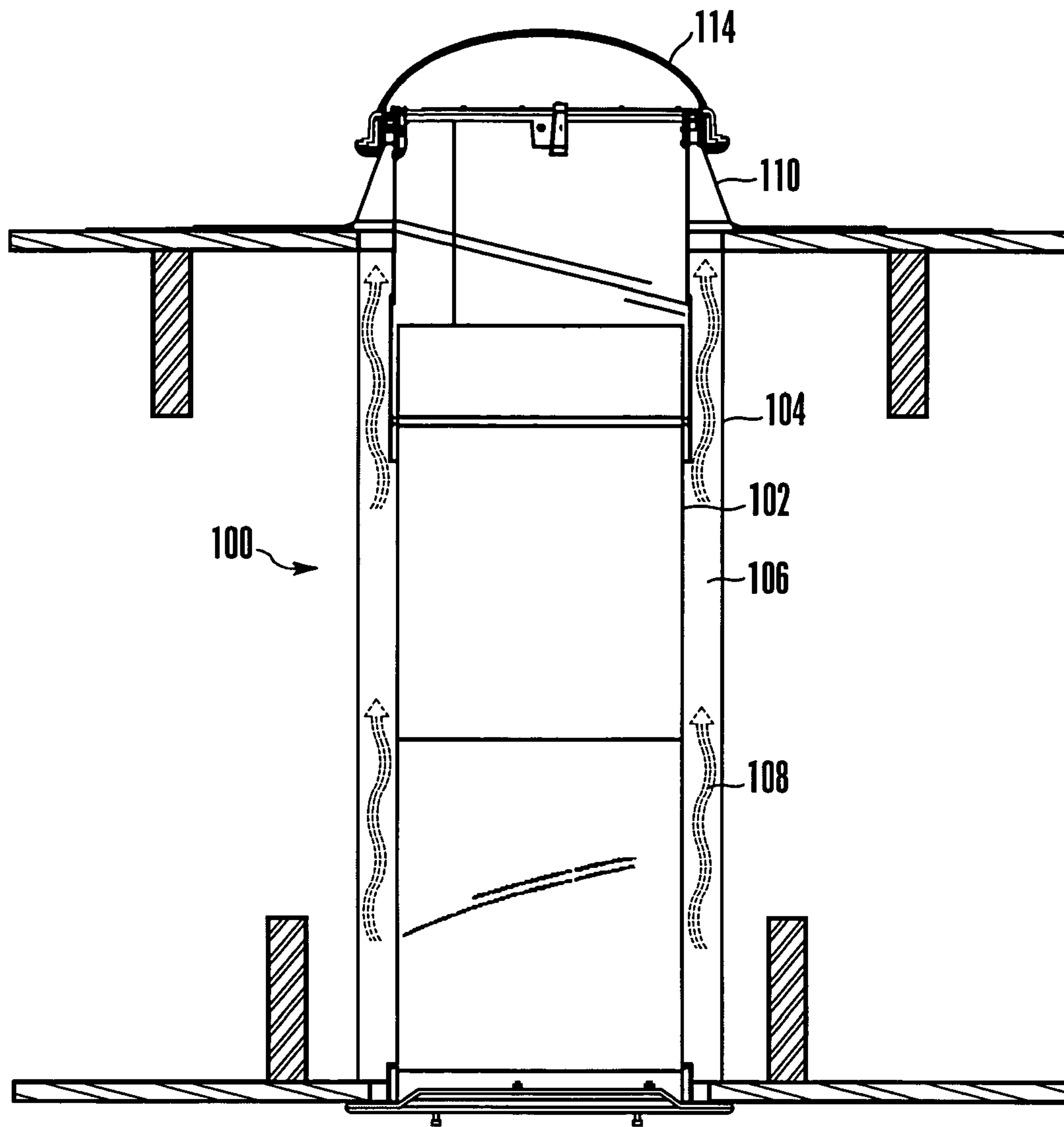


Figure 6

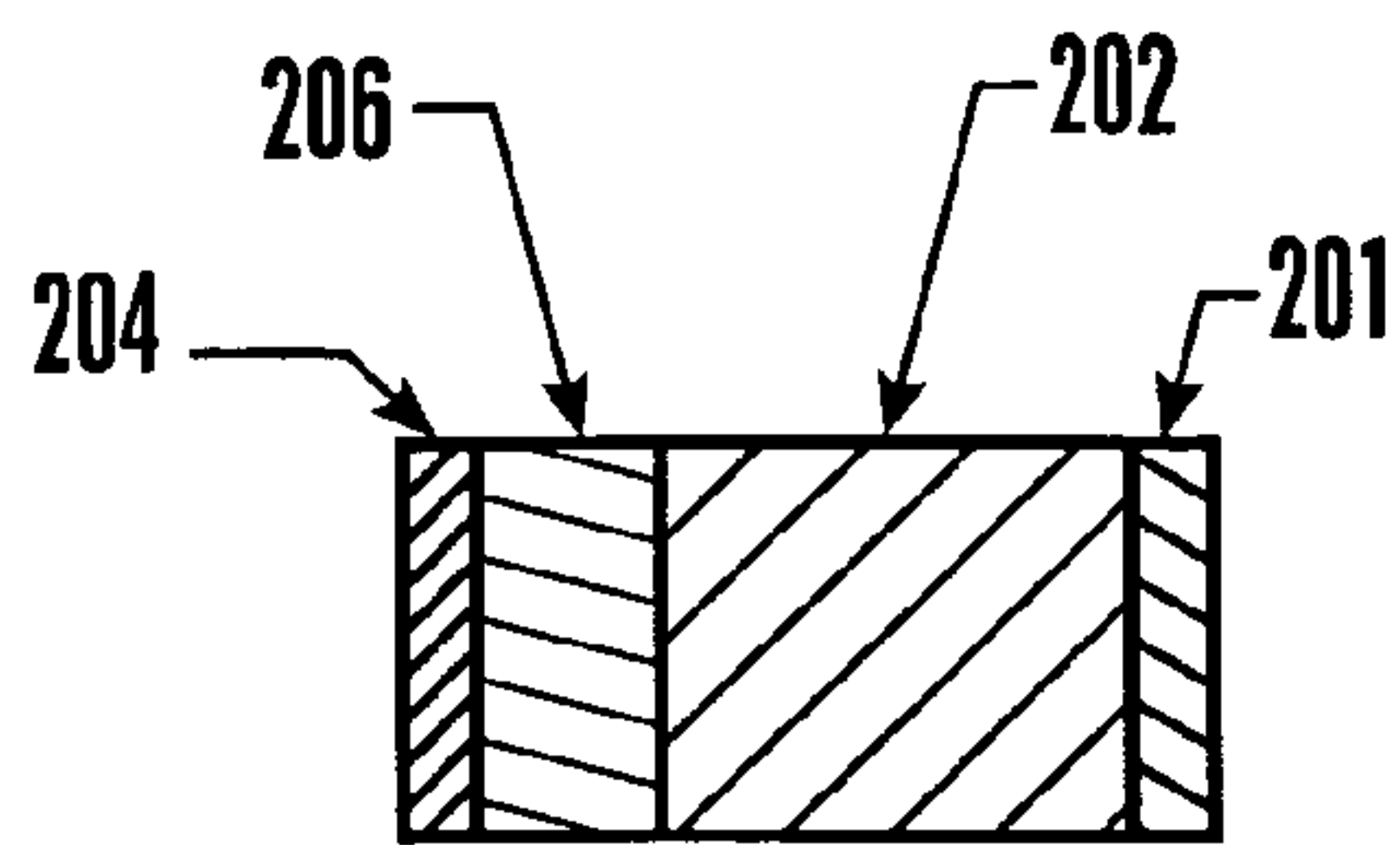
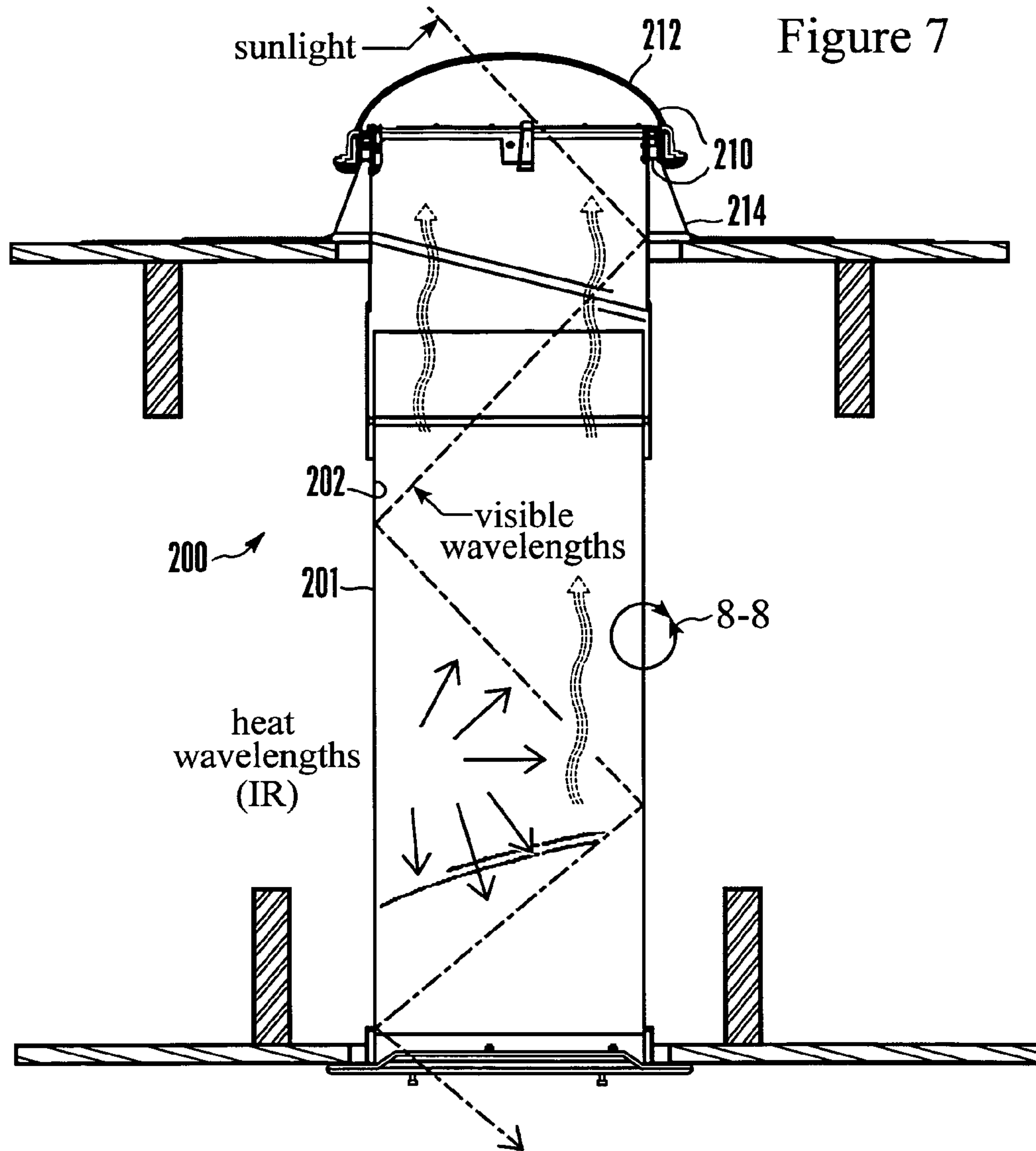


Figure 8

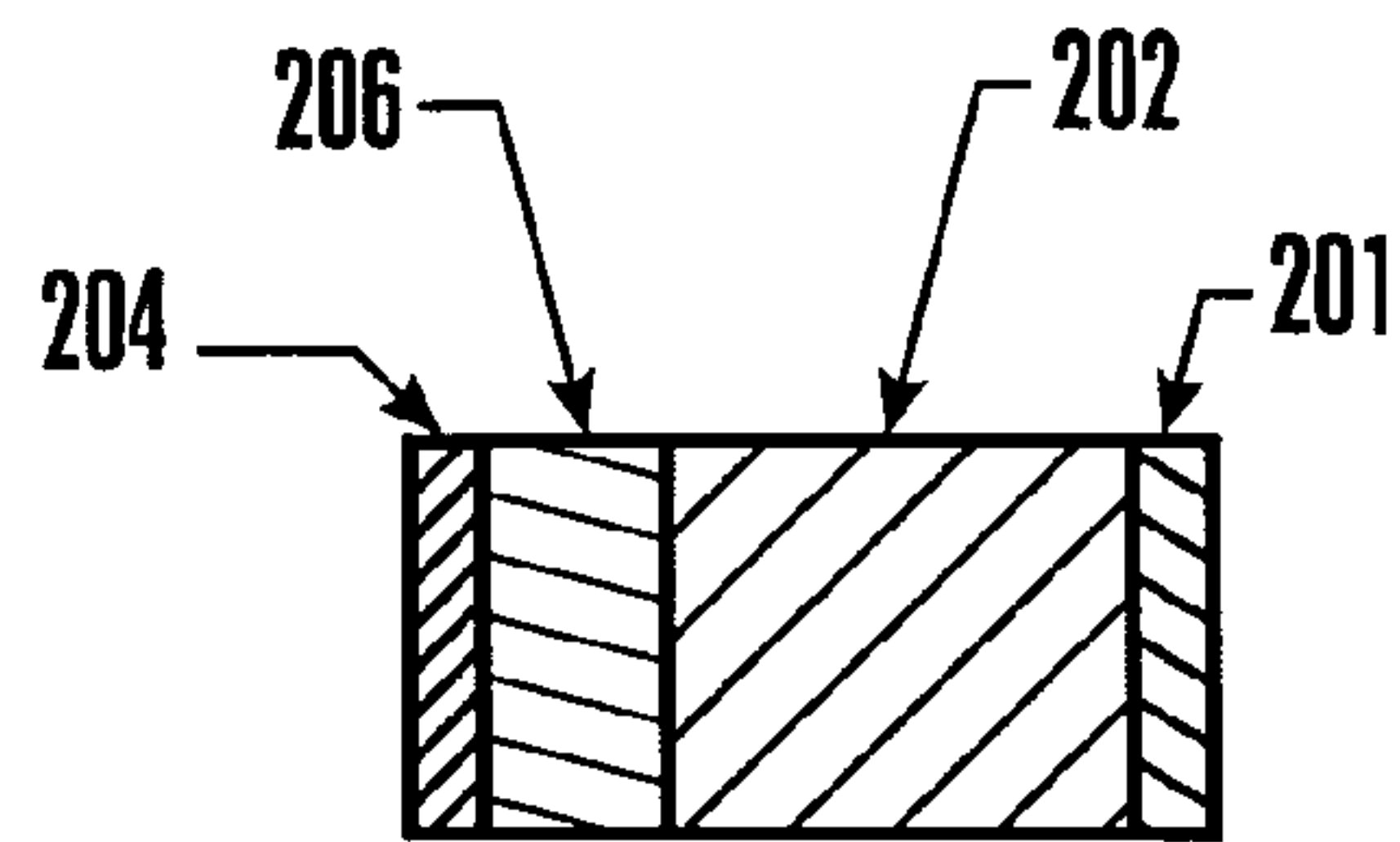


Figure 9

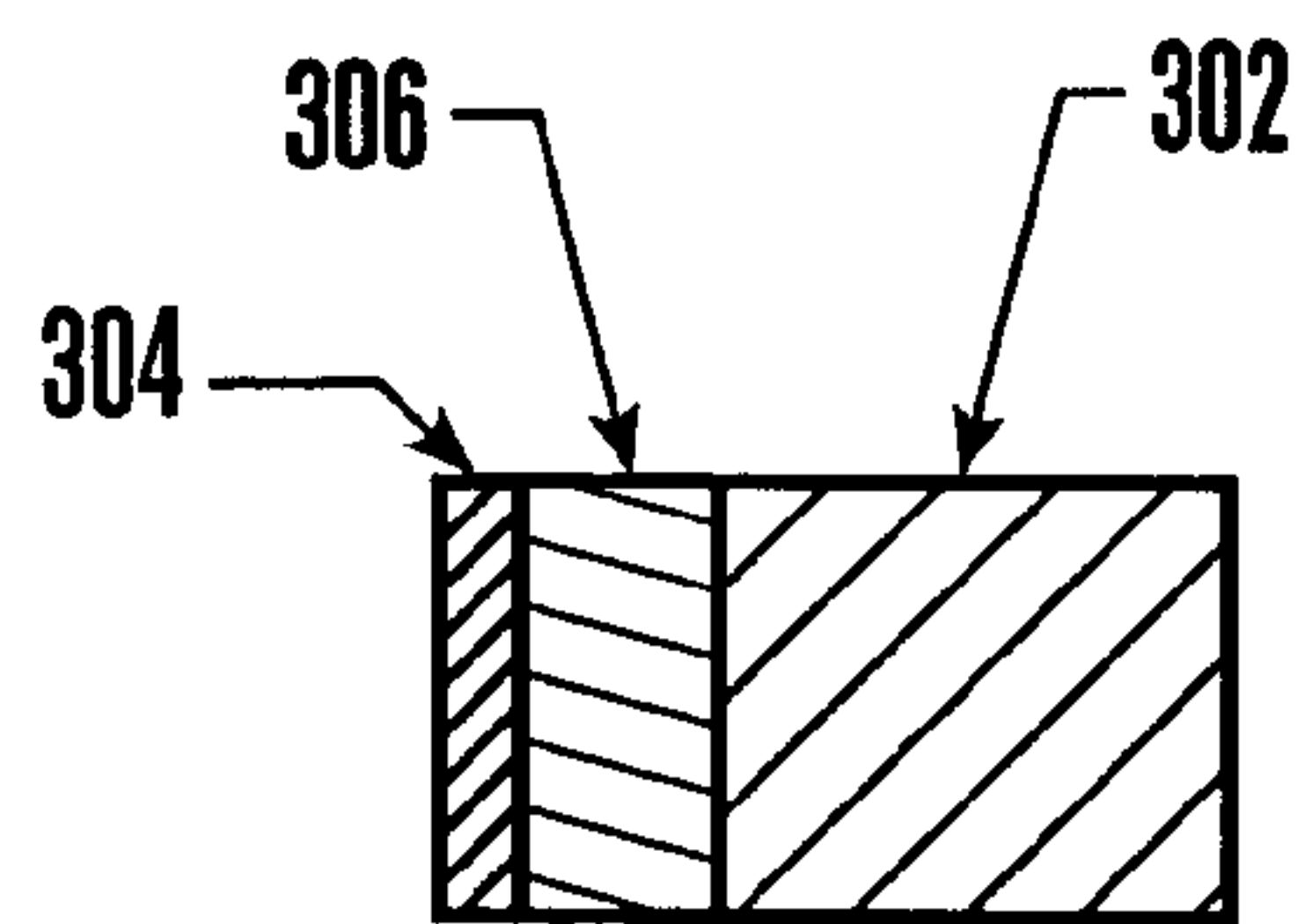
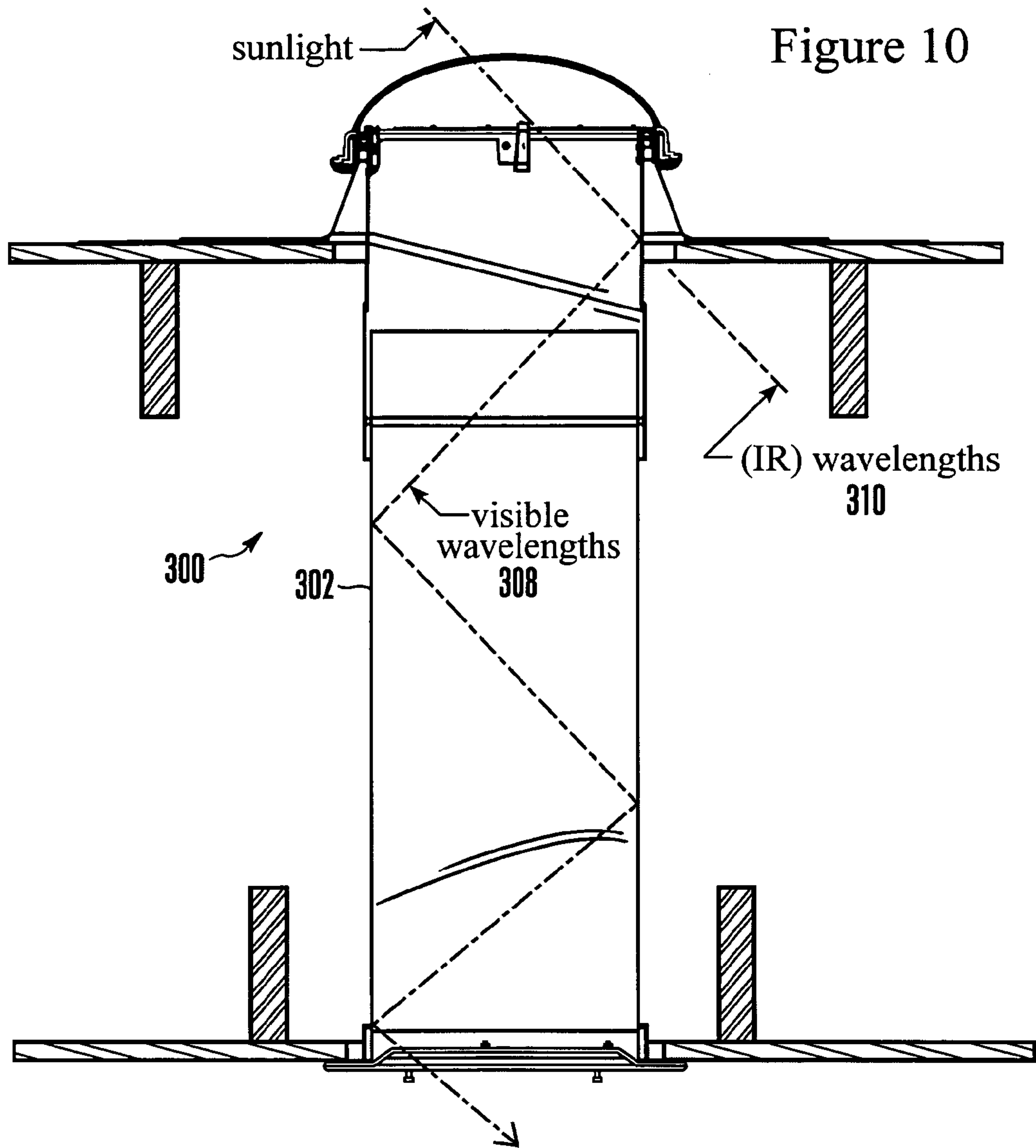


Figure 11



1

## SKYLIGHT TUBE WITH INFRARED HEAT TRANSFER

### FIELD OF THE INVENTION

The present invention relates generally to skylights.

### BACKGROUND OF THE INVENTION

In U.S. Pat. Nos. 5,896,713 and 6,035,593, both of which are owned by the same assignee as is the present invention and both of which are incorporated herein by reference, tubular skylights are disclosed. Both of the skylights can use the skylight dome disclosed in U.S. Pat. No. 5,896,712 also owned by the same assignee as is the present invention and also incorporated herein by reference. These inventions represent advances over the prior art and one or more of them has found commercial success.

Briefly, a tubular skylight such as those mentioned above includes a tube assembly mounted between the roof and ceiling of a building. The top end of the tube assembly is covered by a roof-mounted dome or cover, such as the one disclosed in the above-mentioned '712 patent, while the bottom end of the tube assembly is covered by a ceiling-mounted diffuser plate. With this combination, natural light external to the building is directed through the tube assembly into the interior of the building to illuminate the interior.

Tubular skylights use a reflective surface to transport sunlight down a tube from the roof to the interior ceiling. The optical spectral response of the dome, tube, and diffuser and the number of light reflections as light travels down the tube determines how much sunlight will reach the interior of the building. These properties will also determine how much heat, in addition to visible light, will be transported to the interior.

As recognized herein, it is desirable to maximize the amount of visible light (light having wavelengths of between around four hundred nanometers and seven sixty nanometers) that is transmitted down the tube while minimizing the amount of heat (in the form of infrared light of greater than around seven hundred sixty nanometers) that is transmitted into the room. As further recognized herein, most fenestration products designed to minimize solar heat gain unfortunately have drawbacks. For example, tinting the surface of a window with a coating or film typically is not selective, i.e., tinting reduces heat transmission but also reduces visible light transmission. The same is true to a somewhat lesser degree with respect to low-e coatings and/or films that are deposited on windows as well as with respect to multiple glazing layers. Furthermore, the same observations apply to skylights, in which films or coatings that are used to maximize visible light transmission down the tube also maximize heat input into the room and in which optical blocking devices in the dome or diffuser, while blocking IR, also block visible light. Accordingly, the present solutions are provided.

### SUMMARY OF THE INVENTION

A skylight assembly includes a transparent dome and a skylight shaft substrate extending away from the dome to convey light entering the dome through the shaft substrate. A spectrally selective film or coating is juxtaposed with an inside surface of the shaft substrate to substantially reflect visible light and to substantially transmit IR light.

If desired, means can be associated with the substrate for conveying heat from an inside surface to an outer surface of the substrate. The means for conveying heat may include an

2

adhesive disposed between a spectrally selective film and the substrate and bearing Carbon black or other IR-absorbing substance particles, and/or it may include a satin black inside surface of the substrate with the outer surface of the substrate being anodized. Or, the substrate can have an outer surface of relatively low IR emissivity, and the inner surface or film has a high emissivity and heat is radiated in the tube and rises up and exits through the dome. Yet again, the substrate can be transparent so that IR is transmitted through it while visible light remains within the tube due to the film or coating.

In another aspect, a skylight shaft assembly includes a hollow shaft substrate defining an inside surface and an outer surface. A substance is associated with the inside surface. The substance substantially reflects visible light impinging on the substance and substantially does not reflect IR light impinging on the substance.

In yet another aspect, a skylight shaft assembly has a hollow shaft substrate defining an inside surface and an outer surface, and means associated with the inside surface for substantially reflecting visible light but not IR light.

The details of the present invention, both as to its structure and operation, can best be understood in reference to the accompanying drawings, in which like reference numerals refer to like parts, and in which:

### BRIEF DESCRIPTION OF THE DRAWINGS

FIG. 1 is a side view in partial cross-section of the tubular skylight of the present invention;

FIG. 2 is a perspective view of the present tube with spectrally selective film or coating;

FIG. 3 is a cross-sectional view as seen along the line 3-3 in FIG. 2;

FIG. 4 is a cross-sectional view of an alternate embodiment as would be seen along the line 3-3 in FIG. 2;

FIG. 5 is a cross-sectional view of another alternate embodiment as would be seen along the line 3-3 in FIG. 2;

FIG. 6 is a side view in partial cross-section of an alternate tubular skylight of the present invention;

FIG. 7 is a side view in partial cross-section of yet another alternate tubular skylight of the present invention;

FIGS. 8 and 9 are cross-sections of respective embodiments as seen along the circle 8-8 in FIG. 7.

FIG. 10 is a side view in partial cross-section of yet another alternate tubular skylight of the present invention; and

FIG. 11 is a cross-section of the tube substrate of FIG. 10.

### DETAILED DESCRIPTION OF THE PREFERRED EMBODIMENT

Referring initially to FIG. 1, a tubular skylight made in accordance with the present invention is shown, generally designated 10, for lighting, with natural sunlight, an interior room 12 having a ceiling dry wall 14 in a building, generally designated 16. FIG. 1 shows that the building 16 has a roof 18 and one or more joists 20 that support the roof 18 and ceiling dry wall 14.

As shown in FIG. 1, the skylight 10 includes a rigid hard plastic or glass roof-mounted cover 21. The cover 21 is optically transmissive and preferably is transparent. In one embodiment, the cover 21 can be the cover disclosed in the above-mentioned '712 patent. Or, the cover 21 can be other suitable covers, such as the covers marketed under the trade name "Solatube" by the present assignee.

The cover 21 can be mounted to the roof 18 by means of a ring-like metal flashing 22 that is attached to the roof 18 by means well-known in the art. The metal flashing 22 can be



angled as appropriate for the cant of the roof **18** to engage and hold the cover **21** in the generally vertically upright orientation shown.

As further shown in FIG. **1**, an internally reflective hollow shaft assembly, generally designated **24**, is connected to the flashing **22**. The cross-section of the assembly **24** can be cylindrical, rectangular, triangular, etc. Accordingly, while the word “tube” may be used from time to time herein, it is to be understood that the principles of the present invention are not to be limited to a cylinder per se unless otherwise specified.

The shaft assembly **24** extends to the ceiling **14** of the interior room **12**. Per the present invention, the shaft assembly **24** directs light that enters the shaft assembly **24** downwardly to a light diffuser assembly, generally designated **26**, that is disposed in the room **12** and that is mounted to the ceiling **14** or to a joist **20** as described in the above-mentioned '593 patent. In some implementations for “light wells” the diffuser **26** ordinarily is omitted.

The shaft assembly **24** can be made of a metal such as an alloy of aluminum or steel, or the shaft assembly **24** can be made of plastic or other appropriate material within the disclosure below. The interior of the shaft assembly **24** is rendered in accordance with disclosure below.

As recognized herein, multi-layer polymeric reflective films have been provided that can be configured to reflect or transmit light depending on its wavelength. Such films may be thought of as being spectrally selective. Specifically, the present invention recognizes that multi-layer polymeric reflective films can be configured to reflect visible light as shown by the lines **30** while transmitting IR into the tube substrate (in the embodiment shown in FIG. **1**, the heat is transmitted across the tube substrate to the exterior of the skylight as shown by the lines **32**, while in other embodiments described below the heat may propagate up the tube substrate). One non-limiting example of such a film is the “Daylighting Film—DF2000MA” made by Minnesota Mining and Manufacturing.

Accordingly, as shown in FIG. **2** a multilayer selective transmission film or coating **40** which reflects the visible wavelengths and transmits the IR wavelengths can be bonded to a tube substrate **42**, it being understood that the tube substrate **42** may be used for any one of the above-described tubes and/or tube segments. Light in the visible wavelengths reflects off the film **40** whereas light in the IR spectrum is transmitted through the film to the tube **42**.

As shown in FIG. **2**, the multi-layer film **40** is adhered to the inside surface **44** of the tube **42**. FIG. **3** best shows that the film **40** (which could be a coating as indicated in the figure) is bonded to the tube **42** using a clear adhesive **46**. The tube **42** may be made of Aluminum, and particularly when a clear adhesive is used, the inside surface **44** may be painted satin black or otherwise treated for high heat absorption. In contrast, the outer surface **48** of the substrate **42** preferably is anodized or painted or otherwise treated so as to have a high conductivity to transfer heat from the inside surface **44** to the outer surface **48**. Thus, the outer surface **48** has a high emittance to radiate heat from the tube, whereas the inside surface **44** may have high IR absorption and low IR reflectance characteristics.

Alternatively, instead of rendering the inner surface **44** absorptive, an opaque (IR-absorbing) adhesive **50** may be interposed between the multilayer film or coating **40** and tube substrate **42** as shown in FIG. **4**. The adhesive **50** may be a mixture of a clear adhesive and Carbon black or other IR-absorbing substance particles, so that the opaque adhesive has high IR absorption and low IR reflectance characteristics.

As yet another alternative, FIG. **5** shows that a multi-layer coating **52** that is spectrally selective in that it reflects visible light while transmitting IR can be deposited directly onto the an IR-absorptive inner surface **54** of a substrate **56** with high emittance outside surface **58** without requiring an adhesive. The substrate **56** shown in FIG. **5** is in all other essential respects identical to those shown in FIGS. **3** and **4**.

FIG. **6** shows an alternate skylight assembly **100** with tube substrate **102** that in all material respects is identical to the assembly **10** shown in FIG. **1** with the following exceptions. To transmit IR away from the tube, an outer hollow shell **104** can be disposed substantially completely around the tube substrate **102** with a space **106** therebetween up which IR radiation can propagate, as shown by heat lines **108**. The heat can propagate out the open top of the shell **104** and, if the top is closed, out of holes **110** formed in a flashing or other structure of the skylight assembly **100**. Or, a highly emissive (to IR) clear plastic dome **114** can be provided so that heat rises through the dome and out of the assembly **100**.

FIGS. **7-9** show an additional alternate skylight assembly **200** that in all material respects is identical to the assembly **10** shown in FIG. **1** with the following exceptions. In both implementations shown in FIGS. **8** and **9**, the outer surface **201** of the tube substrate **202** need not be highly emissive to IR. The inner surface area, as was the case with the prior embodiments, preferably is absorbent to IR and reflective to visible light, and so as shown in FIG. **8** a multi-layer film **204** may be applied to the inner surface of the substrate **202** using an IR-absorbing adhesive **206**, or the element **204** may be a multi-layer coating that is deposited onto the substrate **202**, in which case the element **206** could be the inner surface itself, rendered even more absorptive by, e.g., being painted Carbon black or other IR-absorbing substance. This latter implementation is shown in greater detail in FIG. **9**.

In any case, referring back to FIG. **7**, heat absorbed by the substrate **202**, owing to the low emissivity outer surface **201**, mostly propagates up the assembly **200** through openings or holes **210** that may be formed in a skylight dome **212** or between the dome **212** and a flashing **214** to which the dome **212** is mounted. Or, no holes need be provided, in which case the dome **212** preferably is highly emissive to IR so that heat can propagate upwardly through the dome and out of the skylight assembly **200**.

FIGS. **10** and **11** show an additional alternate skylight assembly **300** that in all material respects is identical to the assembly **10** shown in FIG. **1** with the following exceptions. The assembly **300** shown in FIGS. **10** and **11** has a transparent plastic substrate **302** the inside surface of which is covered by a multi-layer film or coating **304** that is spectrally selective in that it reflects visible light while transmitting IR. The film or coating **304** may be adhered to the substrate by a clear adhesive **306** if desired. With this combination of structure, visible light is reflected down the tube within the tube as shown by lines **308** in FIG. **10**, while IR is transmitted through the tube to its exterior as shown by lines **310**.

While the particular SKYLIGHT TUBE WITH INFRARED HEAT TRANSFER is herein shown and described in detail, the invention is to be limited by nothing except the appended claims.

What is claimed is:

1. An apparatus comprising:
  - a substrate defining a first substantially black inside surface to absorb infrared light and a second outside surface rendered emissive of heat propagating from the first substantially black inside surface; and
  - a substance associated with the first substantially black surface that substantially reflects visible light impinging



**5**

on the substance and that substantially does not reflect IR light impinging on the substance.

**2.** The apparatus of claim **1**, further comprising an adhesive disposed between the substance and the substrate.

**3.** The apparatus of claim **1**, wherein the inside substantially black surface has a satin substantially black finish.

**4.** The apparatus of claim **3**, wherein the outside surface is anodized or has other high emissive qualities.

**5.** A skylight assembly, comprising:

a transparent dome;

at least one skylight shaft substrate extending away from the dome to convey light entering the dome through the shaft substrate;

a spectrally selective film or coating juxtaposed with an inside surface of the shaft substrate to substantially reflect visible light and to substantially transmit IR light; a means associated with the substrate for conveying heat from an inside surface to an outside surface of the shaft substrate; and

wherein the means includes a satin black or other IR absorbing inside surface.

**6.** The assembly of claim **1**, wherein the means for conveying heat includes an anodized or other high emissivity outer surface of the substrate.

**6**

**7.** A skylight shaft assembly, comprising:

a hollow shaft substrate defining an inside surface and an outer surface; and

a substance associated with the inside surface that substantially reflects visible light impinging on the substance and that substantially does not reflect IR light impinging on the substance; and

wherein an inside surface has a satin black or other IR absorbing finish.

**8.** The assembly of claim **7**, wherein the outer surface is anodized or has other high emissive qualities.

**9.** A skylight shaft assembly comprising:

a hollow shaft substrate defining an inside surface and an outer surface; and

means associated with the inside surface for substantially reflecting visible light but not IR light;

wherein the means for reflecting is a spectrally selective film bound to the inside surface by an adhesive; and

wherein the inside surface has a satin black or other IR absorbing finish.

**10.** The assembly of claim **9**, further comprising means associated with the substrate for conveying heat from the inside surface to the outer surface of the substrate.

\* \* \* \* \*