



US006219977B1

(12) **United States Patent**
Chao et al.

(10) **Patent No.: US 6,219,977 B1**
(45) **Date of Patent: Apr. 24, 2001**

(54) **TUBULAR SKYLIGHT WITH ROUND-TO-SQUARE ADAPTOR**

(75) Inventors: **Bing-Ling Chao**, San Diego; **Christian P. Stevens**, Carlsbad; **Joseph W. Prenn**, San Diego, all of CA (US)

(73) Assignee: **Solatube International, Inc.**, Vista, CA (US)

(*) Notice: Subject to any disclaimer, the term of this patent is extended or adjusted under 35 U.S.C. 154(b) by 0 days.

(21) Appl. No.: **09/305,614**

(22) Filed: **May 5, 1999**

(51) Int. Cl.⁷ **E04B 7/18**

(52) U.S. Cl. **52/200; 52/198**

(58) Field of Search **52/200, 198**

(56) **References Cited**

U.S. PATENT DOCUMENTS

5,502,935 * 4/1996 Demmer 52/200
5,896,713 * 4/1999 Chao et al. 52/200

* cited by examiner

Primary Examiner—Carl D. Friedman

Assistant Examiner—Patrick J. Chavez

(74) *Attorney, Agent, or Firm*—John L. Rogitz

(57) **ABSTRACT**

A tubular skylight is coupled to rectangular opening of a ceiling support grid by an adaptor. The adaptor includes a ring-shaped tube segment, a rectangular-shaped ceiling segment, and a frustum-shaped intermediate segment connecting the upper segment and ceiling segment.

9 Claims, 1 Drawing Sheet

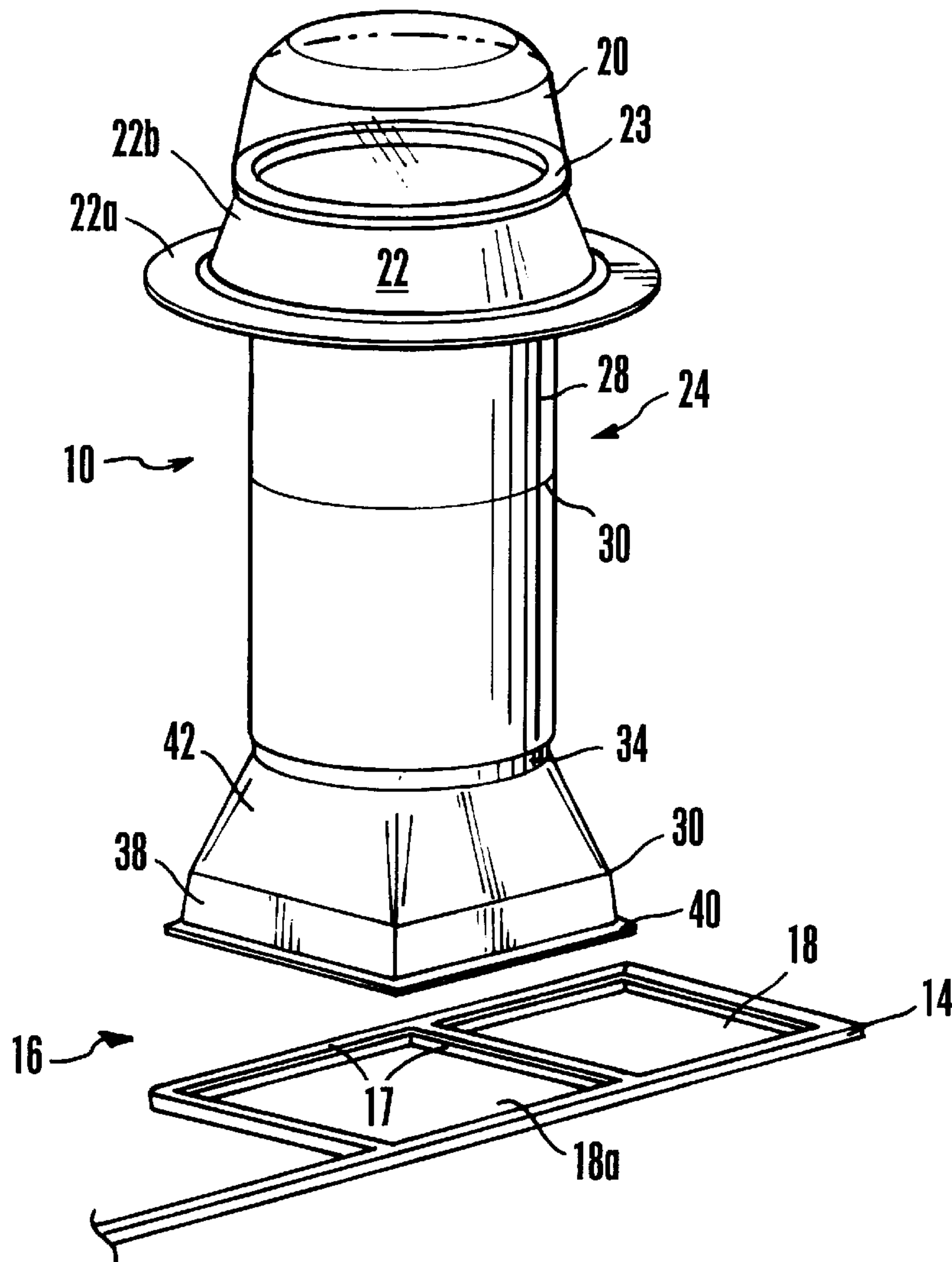


Fig. 1

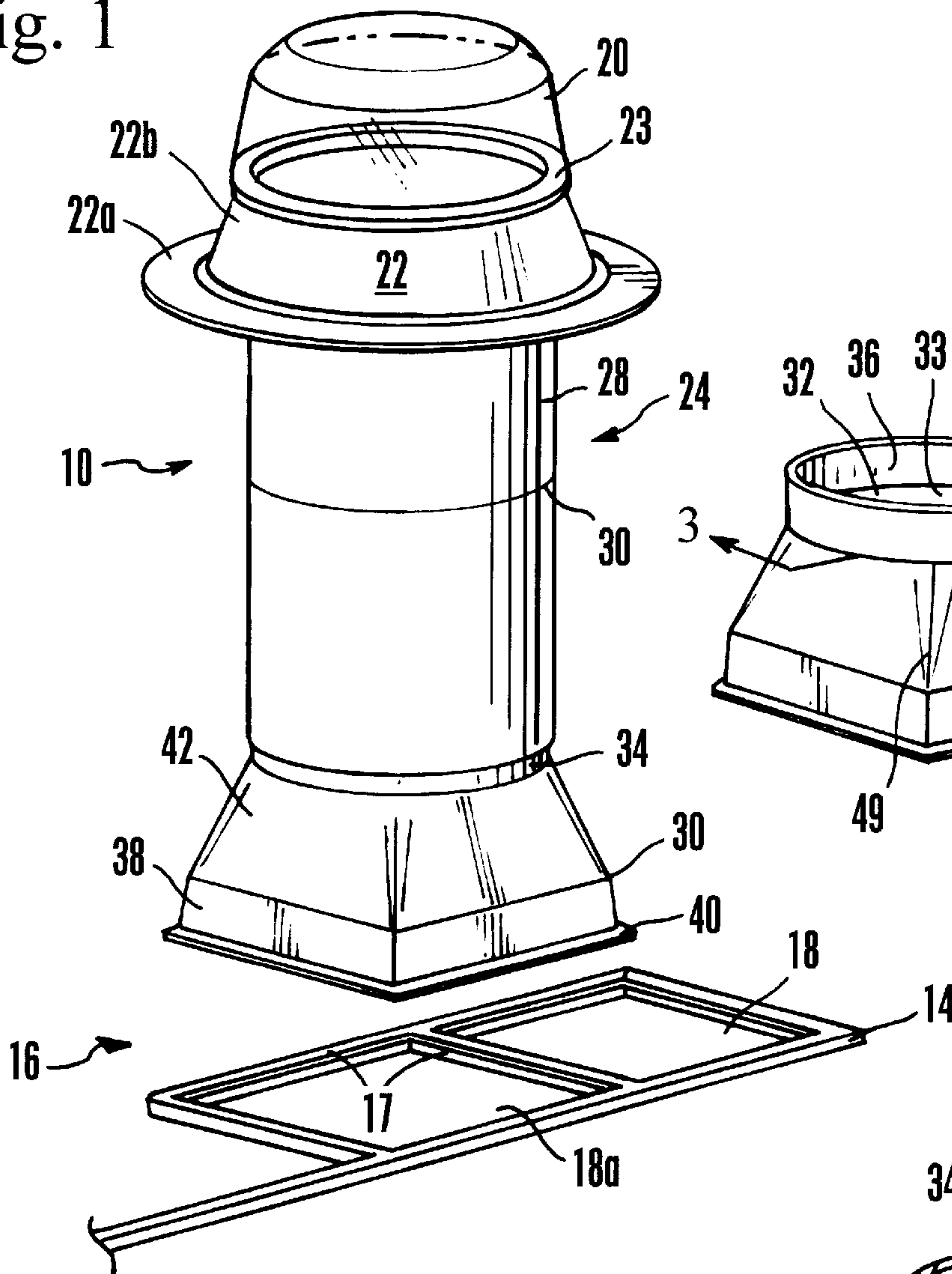


Fig. 2

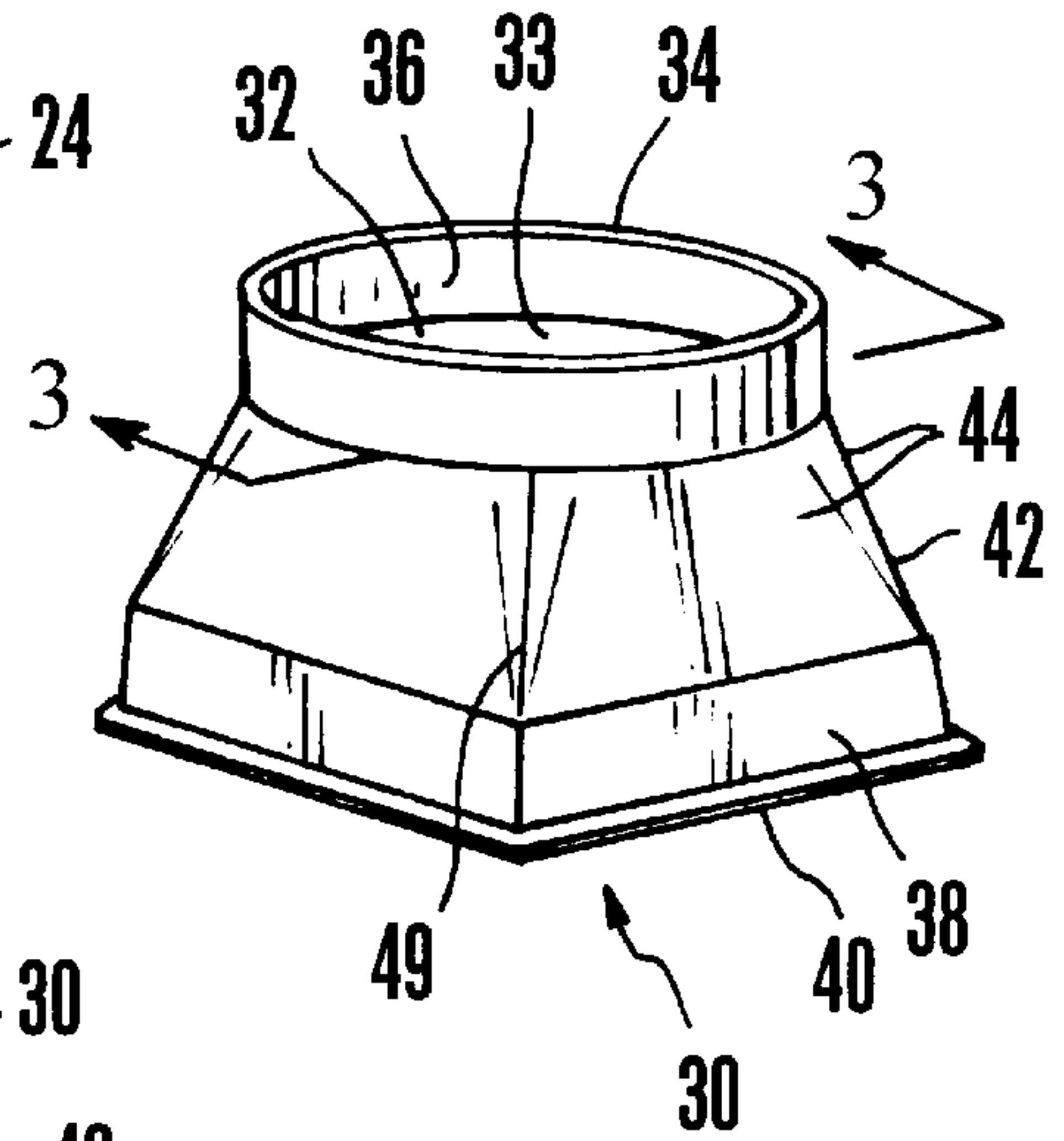


Fig. 4

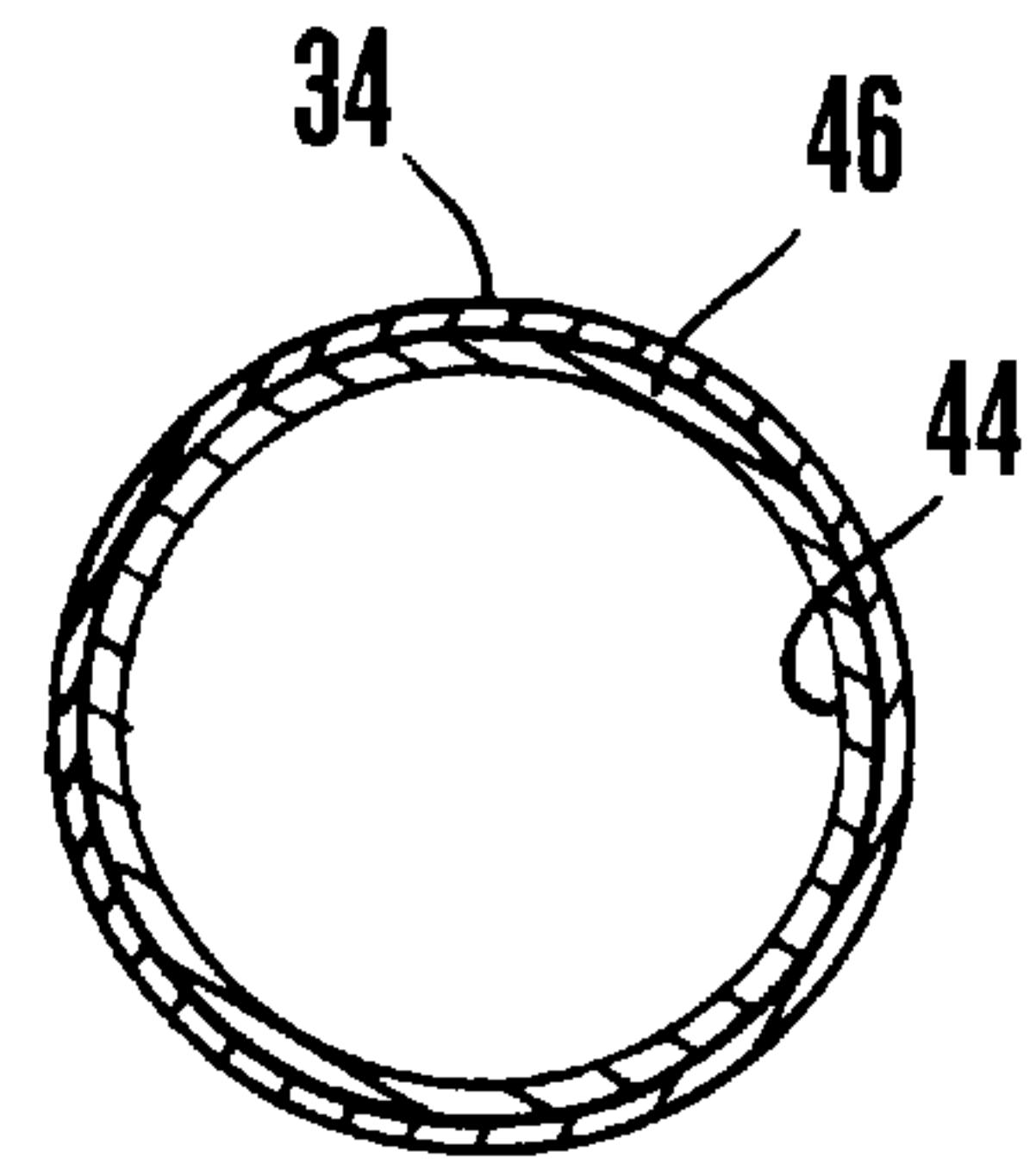
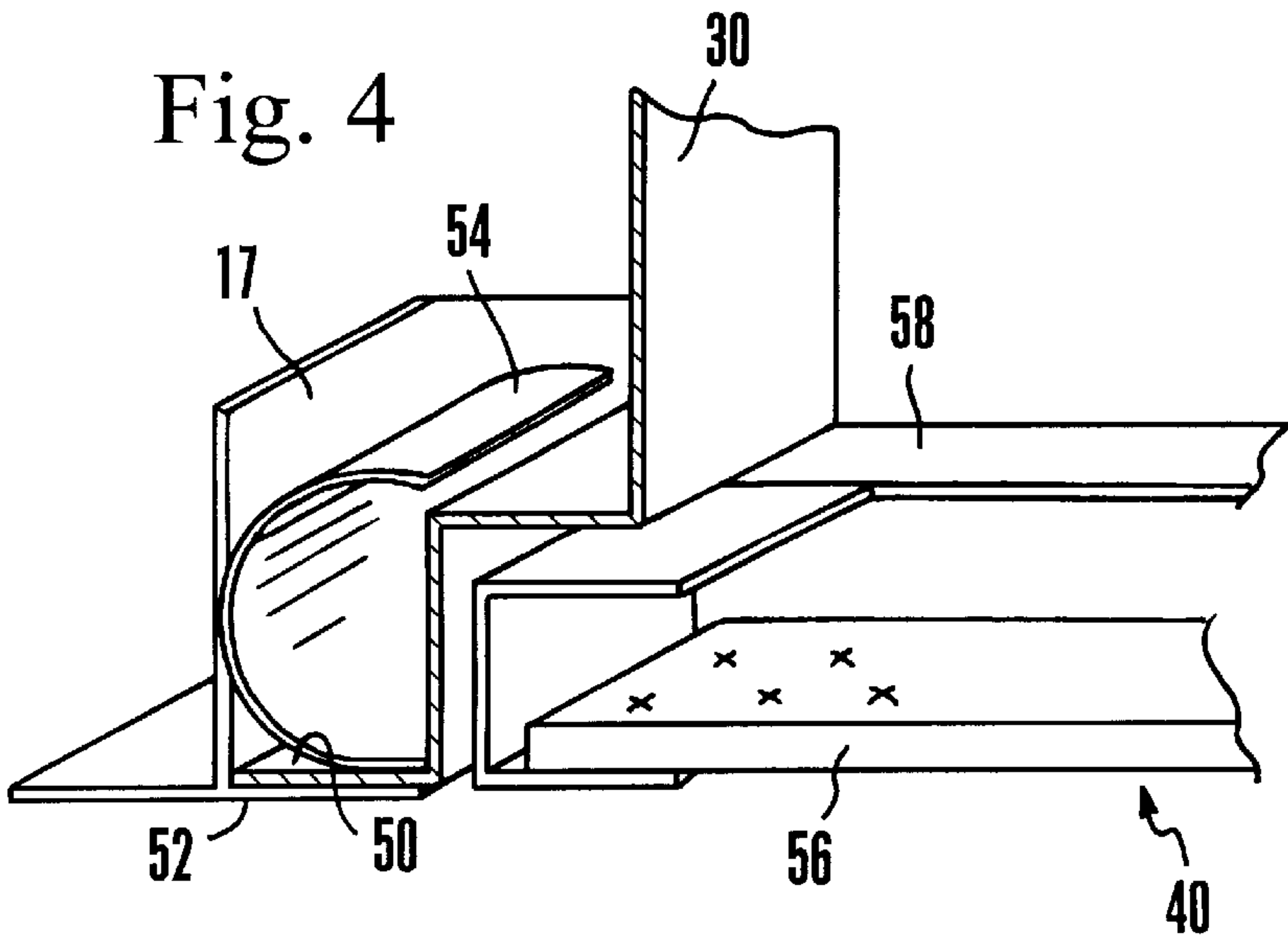


Fig. 3

TUBULAR SKYLIGHT WITH ROUND-TO-SQUARE ADAPTOR

FIELD OF THE INVENTION

The present invention relates generally to apparatus for naturally illuminating rooms, and more particularly to tubular skylights.

BACKGROUND

Tubular skylights have been provided for illuminating rooms inside buildings with natural light. Not only do tubular skylights thus save electricity and, concomitantly, are environmentally benign, but they illuminate rooms in a pleasing way using natural sunlight instead of 60 cycle electric light. An example of a commercially successful tubular skylight is disclosed in U.S. Pat. No. 5,099,622, assigned to the same assignee as the present invention and incorporated herein by reference.

A tubular skylight includes a roof-mounted, dome-like transparent cover. The cover is mounted on the roof of a building by means of a flashing. An internally reflective tube depends downwardly from the roof to the ceiling of the room sought to be illuminated, and the bottom of the tube is covered with a disk-shaped light diffuser that is positioned at the ceiling. The round cross-sectional shape of the tube promotes light reflectivity and transmission down the tube, into the building.

In most existing tubular skylights, the ceiling dry wall supports the diffuser and the tube. To install a tubular skylight, a circular hole is cut in the existing ceiling dry wall and another hole is cut in the roof, and then the skylight is positioned and mounted as described above.

The present invention recognizes that tubular skylights can be used in applications other than in conventional ceiling dry walls. For example, the present invention recognizes that tubular skylights can be used to illuminate relatively larger buildings that have ceilings defined in part by rectangular grids of metal support joists. The grids are used to support rectangular-shaped ceiling panels.

As understood by the present invention, the bottom portion of a tubular skylight should be shaped complementarily to the ceiling opening with which the skylight is engaged. In the case of conventional ceilings made of dry wall, the ceiling opening is formed to accommodate the round cross-sectional shape of the skylight. In the case of larger ceilings having rectangular support grids, however, the opening with which the skylight must be engaged, namely, one of the rectangular areas formed by the grid, is not designed with tubular skylights in mind, but rather with the rectangular shape of conventional ceiling panels in mind. As intimated above, this problem cannot be solved simply by making the skylight parallelepiped-shaped, because a skylight with a rectangular cross-section will not transmit light down to the ceiling as efficiently as will a tubular skylight. Moreover, the tubular shape of skylights is widely accepted and indeed ingrained in the industry. The present invention has both recognized the problem of installing skylights in a ceiling grid, and provides the below-disclosed solution.

SUMMARY OF THE INVENTION

A tubular skylight is disclosed for a building having a roof with a skylight flashing and at least one ceiling grid below the roof for supporting a ceiling above a room, wherein the ceiling grid defines at least one rectangular opening. In accordance with the present invention, the skylight includes

a transparent cover that is engageable with the flashing, and a tube assembly depending downwardly from the flashing. The tube assembly has an upper end covered by the cover. An adaptor couples the tube assembly to the rectangular opening.

In a preferred embodiment, the adaptor is hollow, and the inside surface of the adaptor is covered with a reflective coating. The preferred adaptor defines a ring-shaped tube segment that is configured complementarily to the tube assembly and that is engaged with the tube assembly. Moreover, the adaptor includes a rectangular-shaped ceiling segment that is configured complementarily to the rectangular opening and that is disposed on the grid. A rectangular-shaped light diffuser is coupled to the rectangular-shaped ceiling segment of the adaptor.

As disclosed in detail below with respect to the preferred embodiment, the adaptor is formed with an intermediate segment that is at least partially frusto-pyramidal shaped. The intermediate segment connects the ring-shaped tube segment of the adaptor to the rectangular-shaped ceiling segment of the adaptor. In a particularly preferred embodiment, the intermediate segment includes a lower intermediate portion defining a right regular pyramidal frustum and an upper intermediate portion defining a circular top edge.

In another aspect, an adaptor for interconnecting a tubular skylight and a rectangular-shaped opening of a ceiling grid that has a rectangular-shaped diffuser disposed therein includes a hollow tube segment. As envisioned by the present invention, the tube segment is circular-shaped to facilitate coupling the tube segment to the tubular skylight. Also, the adaptor includes a hollow ceiling segment is rectangular-shaped to facilitate coupling the ceiling segment to the diffuser.

In still another aspect, a method is disclosed for mounting a tubular skylight in a building having a roof and a ceiling grid below the roof. The method includes attaching the skylight to the roof, and disposing a diffuser in an opening of the grid. The tube of the skylight is then coupled to the diffuser.

The details of the present invention, both as to its structure and operation, can best be understood in reference to the accompanying drawings, in which like reference numerals refer to like parts, and in which:

BRIEF DESCRIPTION OF THE DRAWINGS

FIG. 1 is a perspective view of the tubular skylight of the present invention in an exploded relationship with a ceiling grid, with portions of the ceiling grid cut away for clarity;

FIG. 2 is a perspective view of the square-to-round adaptor;

FIG. 3 is a cross-sectional view as seen along the line 3—3 in FIG. 2; and

FIG. 4 is a perspective view showing the details of how the adaptor and diffuser are supported, with portions broken away for clarity.

DESCRIPTION OF THE PREFERRED EMBODIMENT

Referring initially to FIG. 1, a tubular skylight is shown, generally designated 10, for lighting, with natural sunlight, an interior room 12 having a ceiling support grid 14 in a building, generally designated 16. FIG. 1 shows that the grid 14 includes orthogonal metal or plastic T-shaped joists 17 that together define plural rectangular-shaped openings 18.

Each opening **18** can define a two foot by two foot square, although other rectangular shapes and dimensions are contemplated herein. In accordance with the present invention, most of the openings **18** support ceiling panels but one of the openings, designated **18a** in FIG. 1, can engage the skylight **10**.

Describing the skylight **10** from top to bottom, as shown in FIG. 1, the skylight **10** includes a roof-mounted cover **20**. The cover **20** is optically transmissive and preferably is transparent. In one embodiment, the cover **20** can be the cover disclosed in co-pending U.S. patent application Ser. No. 08/957,513, filed Oct. 24, 1997 for an invention entitled "LIGHT-COLLECTING SKYLIGHT COVER", owned by the same assignee as the present invention. Or, the cover **20** can be other suitable covers, such as the covers marketed under the trade name "Solatube" by the present assignee.

The cover **20** is mounted to the roof of the building **16** by means of a flashing **22**. The flashing **22** includes a flange **22a** that is attached to the roof by means well-known in the art, and a curb **22b** rises upwardly from the flange **22a** and is angled relative to the flange **22a** as appropriate for the cant of the roof to engage and hold the cover **20** in the generally vertically upright orientation shown. A seal **23** can be positioned between the curb **22b** and the cover **20** to effect a dust and water seal between the cover **20** and the flashing **22**.

As further shown in FIG. 1, an internally reflective metal tube assembly **24** is connected to the flashing **22**. The tube assembly **24** extends to the grid **14** of the interior room **12**, with the top of the tube assembly **24** being covered by the cover. Per the present invention, the tube assembly **24** directs light that enters the tube assembly **24** downwardly into the room **12**. The tube assembly **24** can be made of a metal such as a type **1150** alloy aluminum, or the tube assembly **24** can be made of fiber or plastic or other appropriate material, with the interior of the tube assembly **24** being rendered reflective by means of, e.g., electroplating, anodizing, metalized plastic film coating, or other suitable means.

In one preferred embodiment, the tube assembly **24** includes a cylindrical hollow lower tube segment **26** that is telescopically received in a cylindrical hollow upper tube segment **28**, with the upper tube segment **28** in turn being engaged by means known in the art with the flashing **22**. The tube segments **26, 28** can be held together by taping the joint **30** that is established between the segments **26, 28**. Even when taped, the segments **26, 28** can move axially relative to each other to absorb thermal stresses. An expansion seal (not shown) such as the one described in co-pending U.S. Pat. application Ser. No. 08/969,923, owned by the present assignee and incorporated herein by reference, can be positioned radially between the segments **26, 28** to permit longitudinal (i.e., axial) relative motion between the segments **26, 28**, while establishing a seal between the segments **26, 28**.

FIGS. 1 and 2 best show the present inventive combination for coupling the lower tube segment **26**, which defines a circular cross-section, with the rectangular opening **18a** that is defined by the ceiling grid **14**. A hollow adaptor **30** defines an inside surface **32**, and the inside surface **32** is covered with a reflective coating **33**, as is the case with the assembly **24**. Furthermore, the adaptor **30** includes a ring-shaped tube segment **34** that is configured complementarily to the tube assembly **24** and that is engaged therewith by, e.g., taping or other means. By "configured complementarily" is meant that the tube segment **34** has the same shape

(e.g., circular) and approximately same diameter (e.g., twenty inches) as the tube assembly **24**. As can be appreciated in reference to FIG. 2, the preferred tube segment **34** has a vertical wall **36**.

Additionally, the adaptor **30** includes a rectangular-shaped ceiling segment **38** that is configured complementarily to the rectangular opening **18a** and that is coupled to the grid **14**. In three dimensions, the ceiling segment **38** is a parallelepiped, and when the opening **18a** is square, the ceiling segment **38** likewise defines a square cross-section. A rectangular-shaped light diffuser **40** covers the bottom of the ceiling segment as shown, it being understood that either the light diffuser **40**, or ceiling segment **38**, or both can be attached to the grid **14**. The preferred method of coupling the adaptor **30** with light diffuser **40** to the grid **14** is discussed in greater detail below with reference to FIG. 4.

As recognized by the present invention, were the tube segment **34** contiguous to the ceiling segment **38**, the light passing through the diffuser **40** would not appear to pass through the entire rectangular area of the diffuser **40** as desired, but instead would appear as a circular pattern covering only part of the area of the diffuser **40**. This would render an artificial and undesirable appearance.

Accordingly, a hollow intermediate segment **42** is provided to connect the ring-shaped tube segment **34** to the rectangular-shaped ceiling segment **38**, and to reflect light passing through the intermediate segment to more evenly distribute light transmission through the diffuser **40** than would otherwise occur without the intermediate segment **42**. As shown in FIGS. 2 and 3, the intermediate segment **42** includes an upper intermediate portion **44** that defines a circular top edge **46**. The top edge **46** of the upper intermediate portion **44** is closely received in the tube segment **34** as shown, although if desired the tube segment **34** could be received in the upper intermediate portion **44**.

Additionally, a lower intermediate portion **48** that preferably defines, apart from its faceted edges, a right regular pyramidal frustum extends down from the upper intermediate portion **44**. Being a right regular pyramidal frustum, the lower intermediate portion **48** defines four walls that terminate in a square that is juxtaposed with the upper periphery of the ceiling segment **38**. To establish the round upper intermediate portion **44**, the edges **49** of the lower intermediate portion **48** are faceted as shown in accordance with sheet metal transition principles known in the art.

FIG. 4 shows one method for coupling the adaptor **30** and diffuser **40** to the grid **14**, it being understood that other methods can be used. As shown, the adaptor **30** is formed with a skirt **50** that rests on a horizontal portion **52** of one or more joists **17**. If desired, a resilient seal **54** can be sandwiched between the adaptor **30** and joist **17** as shown.

Additionally, the diffuser **40** can include a diffuser plate **56** that is supported in a diffuser housing **58**, and one edge of the diffuser housing **58** is pivotably attached to either the grid **14** or, more preferably, to the adaptor **30**. The opposite edge of the diffuser housing **58** is held by means of clips to the adaptor **30**, with the diffuser **40** thus being held to the adaptor **30** (or grid **14**) in the same manner that a conventional ceiling tile is held to a ceiling grid. Alternatively, the adaptor **30** can be suspended from wires such that the bottom end of the ceiling segment **38** of the adaptor **30** is disposed in the periphery of the opening **18a**. In any case, both the adaptor **30** and diffuser **40** are coupled, directly or indirectly, to each other and to the grid **14**, with the diffuser plate **56** covering substantially all of the bottom opening of the adaptor **30**.

5

While the particular TUBULAR SKYLIGHT WITH ROUND-TO-SQUARE ADAPTOR as herein shown and described in detail is fully capable of attaining the above-described objects of the invention, it is to be understood that it is the presently preferred embodiment of the present invention and is thus representative of the subject matter which is broadly contemplated by the present invention, that the scope of the present invention fully encompasses other embodiments which may become obvious to those skilled in the art, and that the scope of the present invention is accordingly to be limited by nothing other than the appended claims, in which reference to an element in the singular is not intended to mean "one and only one" unless explicitly so stated, but rather "one or more".

What is claimed is:

1. A tubular skylight for a building having a roof with a skylight flashing and at least one ceiling grid below the roof for supporting a ceiling above a room, the ceiling grid defining at least one rectangular opening, the skylight comprising:

a transparent cover engageable with the flashing;

a tube assembly depending downwardly from the flashing and having an upper end covered by the cover, the tube assembly defining a round cross-section;

an adaptor coupling the tube assembly to the rectangular opening, wherein the adaptor defines a ring-shaped tube segment configured complementarily to the tube assembly and engaged therewith and a rectangular-shaped ceiling segment configured complementarily to the rectangular opening and coupled to the grid, the adaptor also including an intermediate segment at least partially frusto-pyramidal shaped connecting the ring-shaped tube segment of the adaptor to the rectangular-shaped ceiling segment of the adaptor.

2. The skylight of claim 1, wherein the adaptor is hollow and defines an inside surface, and the inside surface is covered with a reflective coating.

3. The skylight of claim 1, further comprising a rectangular-shaped light diffuser coupled to the rectangular-shaped ceiling segment of the adaptor.

4. The skylight of claim 1, wherein the intermediate segment includes a lower intermediate portion defining a

6

right regular pyramidal frustum and an upper intermediate portion defining a circular top edge.

5. The skylight of claim 4, wherein the lower ceiling segment defines a square.

6. A method for mounting a tubular skylight including at least one tube in a building having a roof and at least one ceiling grid below the roof, comprising the acts of:

attaching the skylight to the roof;

disposing a diffuser in an opening of the grid; and

coupling the tube of the skylight to the diffuser by interconnecting the tube and diffuser using an adaptor defining a circle, a rectangle, and a frusto-pyramidal portion therebetween,

wherein the adaptor defines a ring-shaped tube segment configured complementarily to the tube assembly and engaged therewith and a rectangular-shaped ceiling segment configured complementarily to the rectangular-opening and coupled to the grid, the adaptor also including an intermediate segment at least partially frusto-pyramidal shaped connecting the ring-shaped tube segment of the adaptor to the rectangular-shaped ceiling segment of the adaptor.

7. The method of claim 6, wherein the adaptor includes: a hollow tube segment, the tube segment being circular-shaped to facilitate coupling the tube segment to the tube; and

a hollow ceiling segment, the ceiling segment being rectangular-shaped to facilitate coupling the ceiling segment to the grid.

8. The method of claim 7, further comprising the act of rendering the adaptor highly reflective.

9. The method of claim 7, wherein the adaptor further comprises:

an intermediate segment including a lower intermediate portion defining a right regular pyramidal frustum and an upper intermediate portion defining a circular top edge.

* * * * *